



Chalice

22-3/4" oval vessel bathroom sink
K-31701

Features

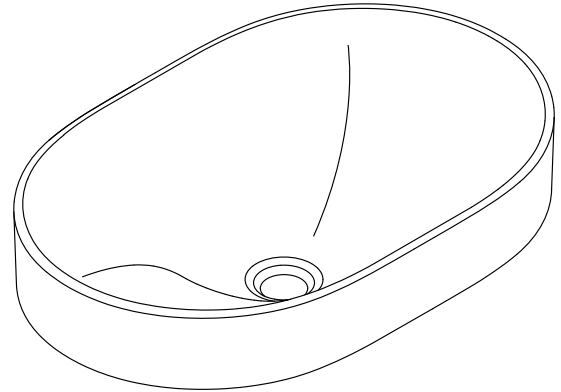
- Elongated oval basin
- With overflow
- No faucet holes; requires wall- or tall deck-mount faucet
- Color matches seamlessly with other KOHLER® products

Material

- Vitreous china

Installation

- Vessel



ADA

Codes/Standards

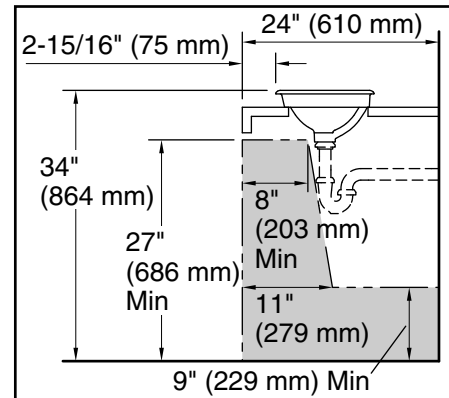
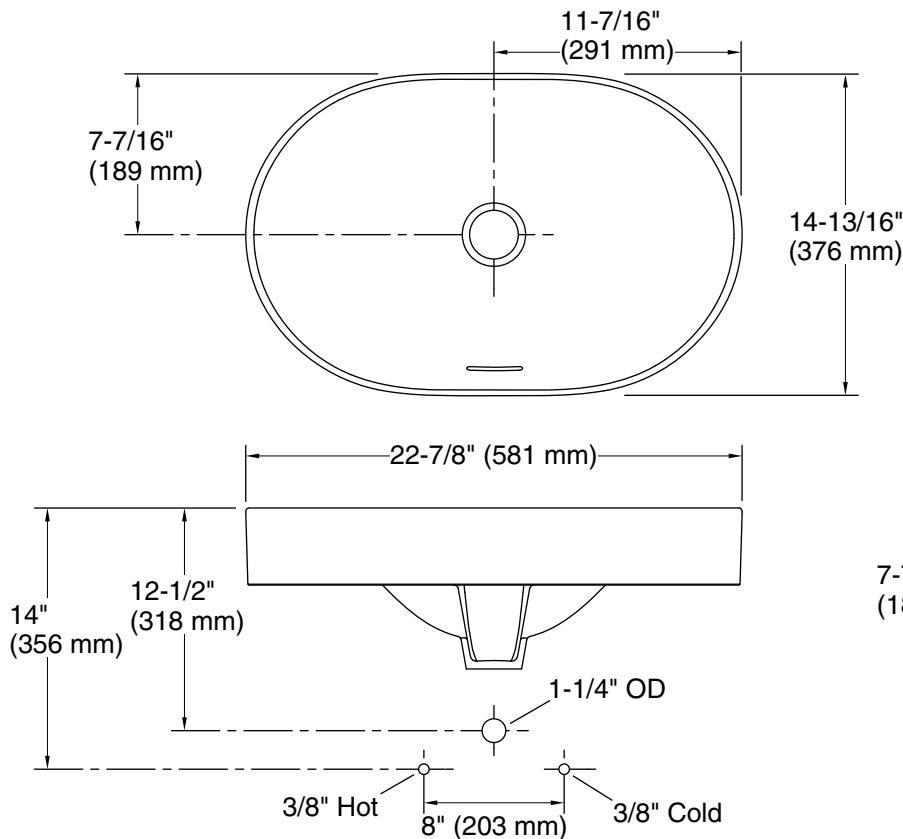
ASME A112.19.2/CSA B45.1

ADA

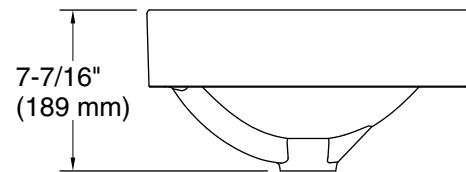
ICC/ANSI A117.1

KOHLER® One-Year Limited Warranty

See website for detailed warranty information.



Recommended ADA Installation



Technical Information

All product dimensions are nominal.

Installation:	Vessel
Bowl area (Only):	Length: 22-1/8" (562 mm) Width: 14-5/16" (363 mm) Bowl depth: 5-9/16" (142 mm) With overflow: Yes
With overflow:	Yes
Drain hole:	1-3/4" (45 mm)
Template:	Above-counter, 1507716-7, required, not included

Notes

Install this product according to the installation instructions.

ADA compliant when installed to the specific requirements of these regulations.