

COMPONENT LOCATIONS

R6GP - 090*-200C

&

R6GP - 120*-235C

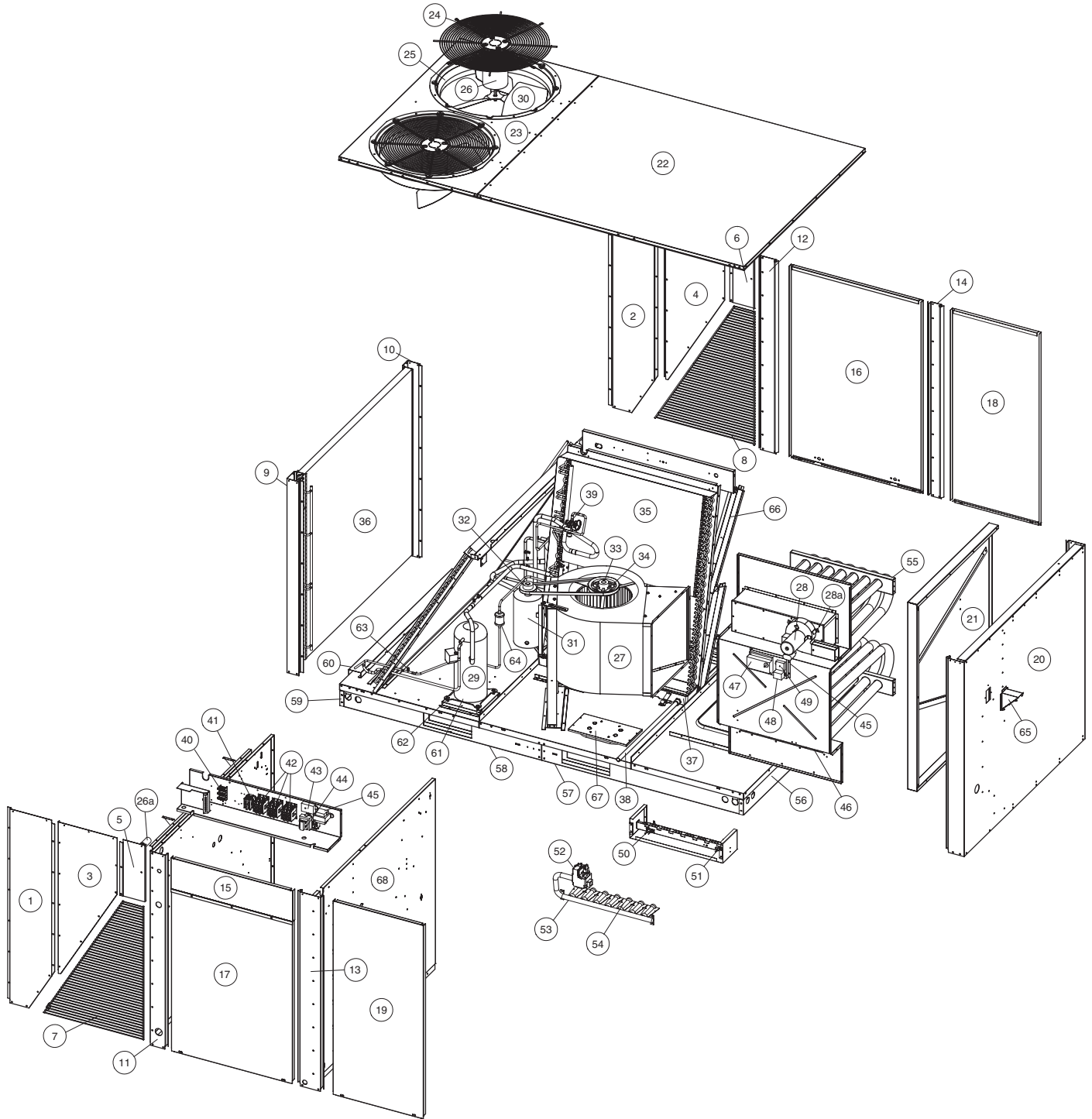


Figure 1. 10 Ton Unit

R6GP Replacement Parts List - 3 Phase Equipment

Item	Part #	Description	R6GP- 072-100 (Figure 2)		R6GP- 072-166 (Figure 2)		R6GP- 090* (Figure 1)		R6GP-120* (Figure 1)	
			208/230 V	460 V	208/230 V	460 V	208/230 V	460 V	208/230 V	460 V
50	632324	Cable, Ignitor (Not Shown)					1	1	1	1
	632323	Ignitor, Spark	1	1	1	1	1	1	1	1
	634733	Cable, Ignitor	1	1	1	1	1	1	1	1
51	632322	Sensor, Flame	1	1	1	1	1	1	1	1
52	624695	Valve, Gas, 2-Stage, Nat. or LP					1	1	1	1
	624652	Valve, Gas, 2-Stage	1	1	1	1				
53	664312	Manifold, Gas					1	1	1	1
	664311	Manifold, Gas -7.5T					1	1		
	664469	Manifold, Gas -6T 3 tube	1	1						
	664470	Manifold, Gas -6T 5 tube			1	1				
53	661036	Orifice, Main Burner, # 36 (Not Shown)	3	3	5	5	6	6	7	7
54	660907	Burner, Inshot	3	3	5	5	6	6	7	7
55	663732	HX Tube Assm - 10T							1	1
	664467	HX Tube Assm - 6t 3 tube	1	1						
	664468	HX Tube Assm - 6t 5 tube			1	1				
55a	2A8021R	HX tube support	2	2	2	2				
	663731	HX Tube Assm - 7.5T					1	1		
	385600	Turbulator, HX Tube (Not Shown)	3	3	5	5	6	6	7	7
	689525	Gasket, HX Tube Plate (Not Shown)	2	2	2	2	2	2	2	2
56	289991R	Rail, Base - Heat Exchange End	1	1	1	1	1	1	1	1
57	292051R	Rail, Base - Front Right	1	1	1	1	1	1	1	1
57	292061R	Rail, Base - Back Right (Not Shown)	1	1	1	1	1	1	1	1
58	289631R	Rail, Base - Front Left	1	1	1	1	1	1	1	1
58	289641R	Rail, Base - Back Left (Not Shown)	1	1	1	1	1	1	1	1
59	289621R	Rail, Base - Condenser End	1	1	1	1	1	1	1	1
60	290841R	Condenser Coil Spacer							1	1
61	632510	Crankcase Heater - 240V / 40 W [Stg 1] (Not Shown)							1	
	632511	Crankcase Heater - 240V / 40 W [Stg 2] (Not Shown)							1	
	632541	Crankcase Heater - 240V / 40 W [Stg 1] -7.5T (Not Shown)					1			
	632542	Crankcase Heater - 240V / 40 W [Stg 2] -7.5T (Not Shown)					1			
	632345	Crankcase Heater - 240V / 70 W [Stg 1] (Not Shown)	1		1					
	632346	Crankcase Heater - 480V / 70 W [Stg 1] (Not Shown)		1		1				
	632512	Crankcase Heater - 480V / 40 W [Stg 1] (Not Shown)								1
	632513	Crankcase Heater - 480V / 40 W [Stg 2] (Not Shown)								1
	632543	Crankcase Heater - 480V / 40 W [Stg 1] -7.5T (Not Shown)						1		
632544	Crankcase Heater - 480V / 40 W [Stg 2] -7.5T (Not Shown)						1			
62	600400	Compressor Bolt, 5/16-18 x 1-1/2"	4	4	4	4	8	8	8	8
	668530	Compressor Mounting Grommet (Not Shown)	4	4	4	4	8	8	8	8
63	663818	Cap, Service Port, Brass	2	2	2	2	4	4	4	4
	664127	Cover, Service Port Cap, Pink R-410a	2	2	2	2	4	4	4	4