

## Features

- The glass shade detail is reminiscent of vintage holophane glass.
- A perfect piece for any farmhouse- or industrial-style space — kitchen, master bathroom, guest bathroom, hallway, or mudroom.
- Medium base (E26) socket, works best with type A or G light bulbs (sold separately).
- Suitable for damp locations, per UL 1598.

## Material

- Manufactured with quality materials and complemented with a meticulous finishing process.
- Durable finishes engineered to last and designed to coordinate with KOHLER faucet finishes.



## Codes/Standards

UL 1598  
CSA C22.2 No. 250

## KOHLER® Indoor Lighting Fixtures Limited Warranty

See website for detailed warranty information.

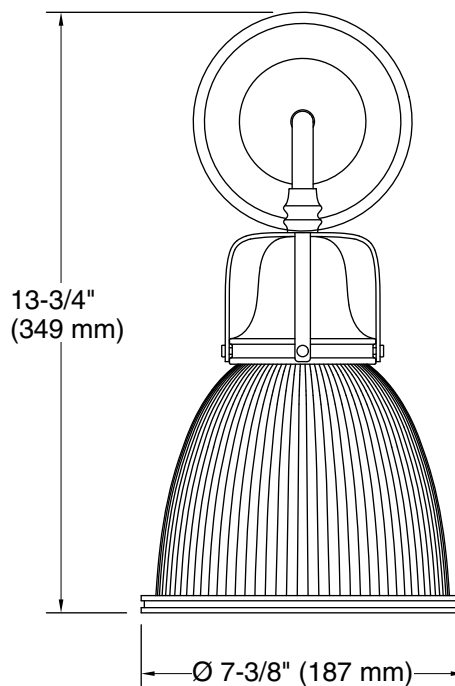
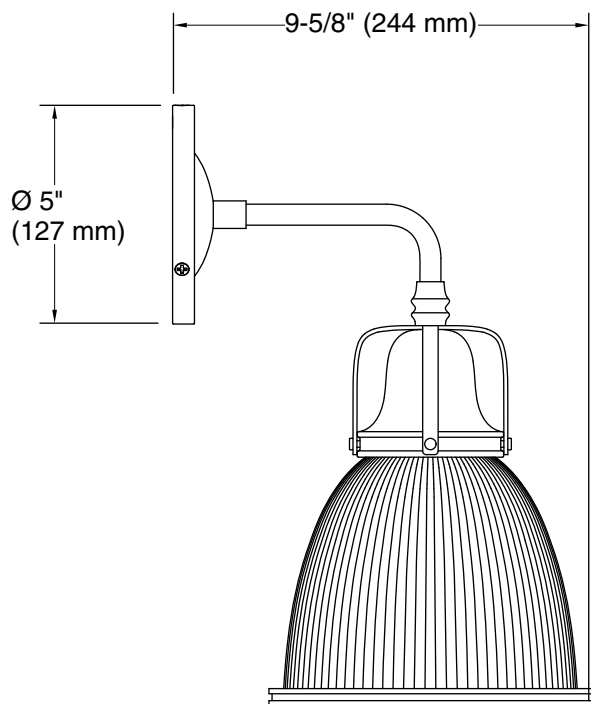
## Available Colors/Finishes

*Color tiles intended for reference only.*

Color	Code	Description
	SNL	Polished Nickel
	BNL	Brushed Nickel
	CPL	Polished Chrome
	BLL	Matte Black
	2GL	Brushed Moderne Brass

# KOHLER®

**Hauksbee™**  
One-light bell sconce  
**K-32281-SC01**



## Required Electrical Service

One dedicated circuit required.

Lights: 120 V, 12 A, 60 Hz

## Technical Information

All product dimensions are nominal.

Material: Steel, Aluminum, Glass

Number of Lights: 1

Lighting Type: Socket-based

Socket Type: E-26 Medium

Number of Shades: 1

Shade Type: Glass - frosted

Electrical component Socket Rating: 60 Hz, 100 W  
rating:

1-800-4KOHLER (1-800-456-4537)

Kohler Co. reserves the right to make revisions without notice to product specifications.

For the most current Specification Sheet, go to [www.kohler.com](http://www.kohler.com).

5-29-2021 18:15 - US//CA

THE BOLD LOOK  
OF **KOHLER®**