

### Features

- High-flow thermostatic mixing valve.
- Thermostatic technology automatically maintains outlet temperature during water pressure fluctuations and/or inlet water temperature changes.
- Single handle temperature control.
- 10.9 gpm flow rate at 45 psi.
- 1/2" female NPT inlet connections.
- One 1/2" female NPT outlet connection.
- Service stops with integral filters.
- Provides automatic anti-scald protection.
- Adjustable comfort setting (preset at approximately 104 degrees Fahrenheit).
- Integrated adjustable high temperature limit stop to control maximum water temperature.
- Requires volume control (sold separately).
- Requires thermostatic trim (sold separately).

### Material

- Forged de-zincification-resistant brass body provides long term reliability and resistance to aggressive water conditions.
- Advanced materials selected for resistance to seizing or attack from aggressive water conditions.

### Installation

- Fully-serviceable from the front of the valve.
- Cartridge is reversible for installations where hot and cold supplies are reversed.
- Requires K-9663 twin ell (sold separately) when using a diverter bath spout.

### Required Accessories

K-2977-K 3/4" Volume Control Valve

or

K-2974-K 1/2" Volume Control Valve



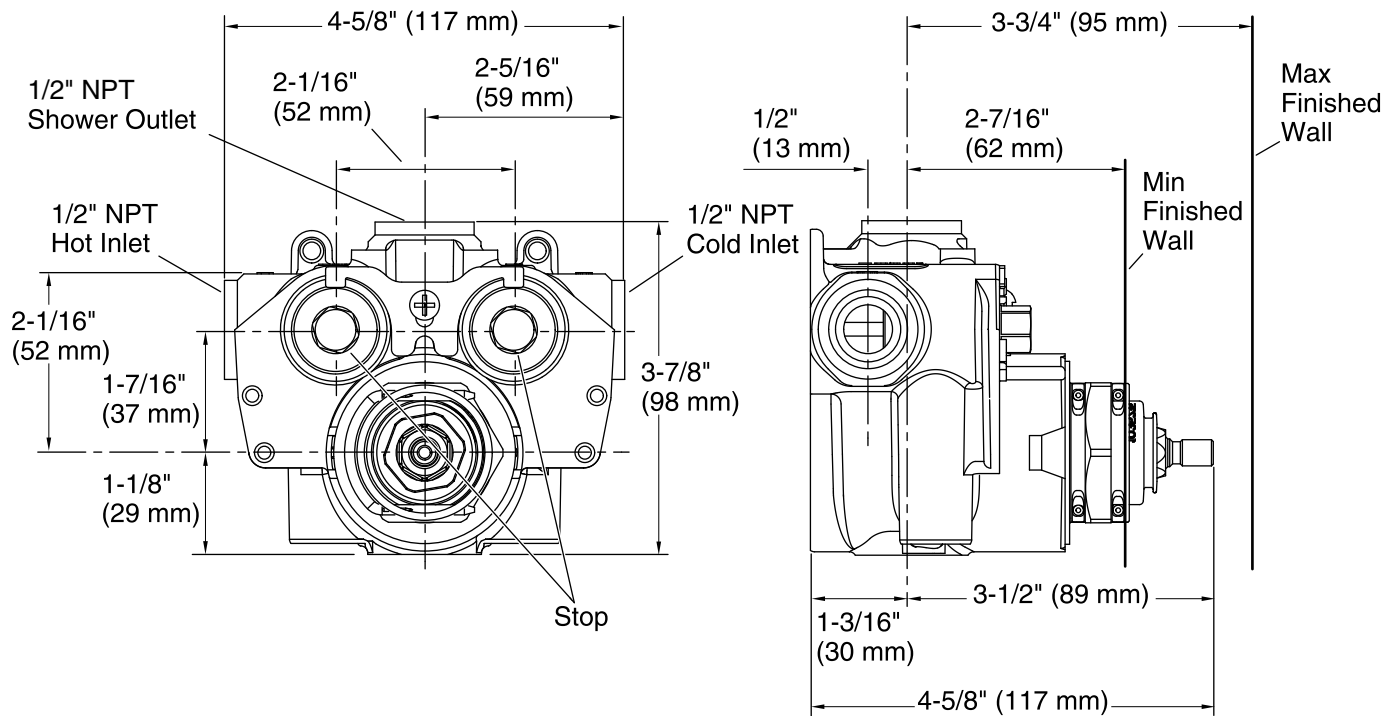
### Codes/Standards

ASME A112.18.1/CSA B125.1

ASSE 1016/ASME A112.1016/CSA B125.16

### KOHLER® Faucet Lifetime Limited Warranty

See website for detailed warranty information.



**Technical Information**

All product dimensions are nominal.

**Notes**

Install this product according to the installation guide.

For bath-only installations, valve may be installed upside down.