

**Features**

- Brass construction
- Dual control wall-mounted
- Cross or lever handles
- Stationary spout
- Less drain
- Available with a 6" (152 mm), 9" (229 mm), or 12" (305 mm) 90° spout from wall to center of drain
- 1.5 gallons (5.7 liters) per minute maximum flow rate

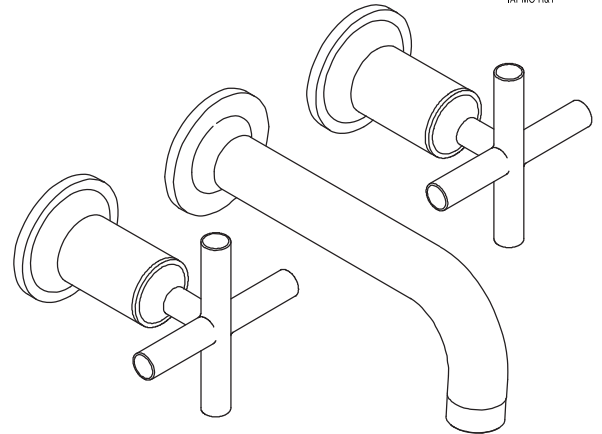
**WALL-MOUNT BATHROOM SINK  
FAUCET TRIM  
K-T14412  
ALSO K-T14414, K-T14416**



**Codes/Standards Applicable**

Specified model meets or exceeds the following at date of manufacture:



- ADA
- ASME A112.18.1/CSA B125.1
- ICC/ANSI A117.1
- NSF 61
- All applicable US Federal and State material regulations
- EPA WaterSense®



**Colors/Finishes**

- CP: Polished Chrome
- Other: Refer to Price Book for additional colors/finishes
- NA: None applicable

**Specified Model**

Model	Description	Cross		Lever	
		 ADA	<input type="checkbox"/> CP <input type="checkbox"/> Other ____	 ADA	<input type="checkbox"/> CP <input type="checkbox"/> Other ____
K-T14412-3	Wall-mount bathroom sink faucet trim – 6" (152 mm)	<input type="checkbox"/> CP	<input type="checkbox"/> Other ____		
K-T14412-4	Wall-mount bathroom sink faucet trim – 6" (152 mm)			<input type="checkbox"/> CP	<input type="checkbox"/> Other ____
K-T14414-3	Wall-mount bathroom sink faucet trim – 9" (229 mm)	<input type="checkbox"/> CP	<input type="checkbox"/> Other ____		
K-T14414-4	Wall-mount bathroom sink faucet trim – 9" (229 mm)			<input type="checkbox"/> CP	<input type="checkbox"/> Other ____
K-T14416-3	Wall-mount bathroom sink faucet trim – 12" (305 mm)	<input type="checkbox"/> CP	<input type="checkbox"/> Other ____		
K-T14416-4	Wall-mount bathroom sink faucet trim – 12" (305 mm)			<input type="checkbox"/> CP	<input type="checkbox"/> Other ____

**Product Specification**

The wall-mount bathroom sink faucet trim shall be of brass construction. Product shall have a maximum flow rate of 1.5 gallons (5.7 liters) per minute. Product shall be dual control wall-mounted. Product shall be available with a 6" (152 mm), 9" (229 mm), or 12" (305 mm) 90° spout from the wall to center of the drain. Product shall be available with cross or lever handles. Product shall feature a stationary spout. Product shall be less drain. Faucet shall be Kohler Model K-T\_\_\_\_\_-\_\_\_\_\_-\_\_\_\_\_ with required K-410-K-NA valve.

# PURIST®

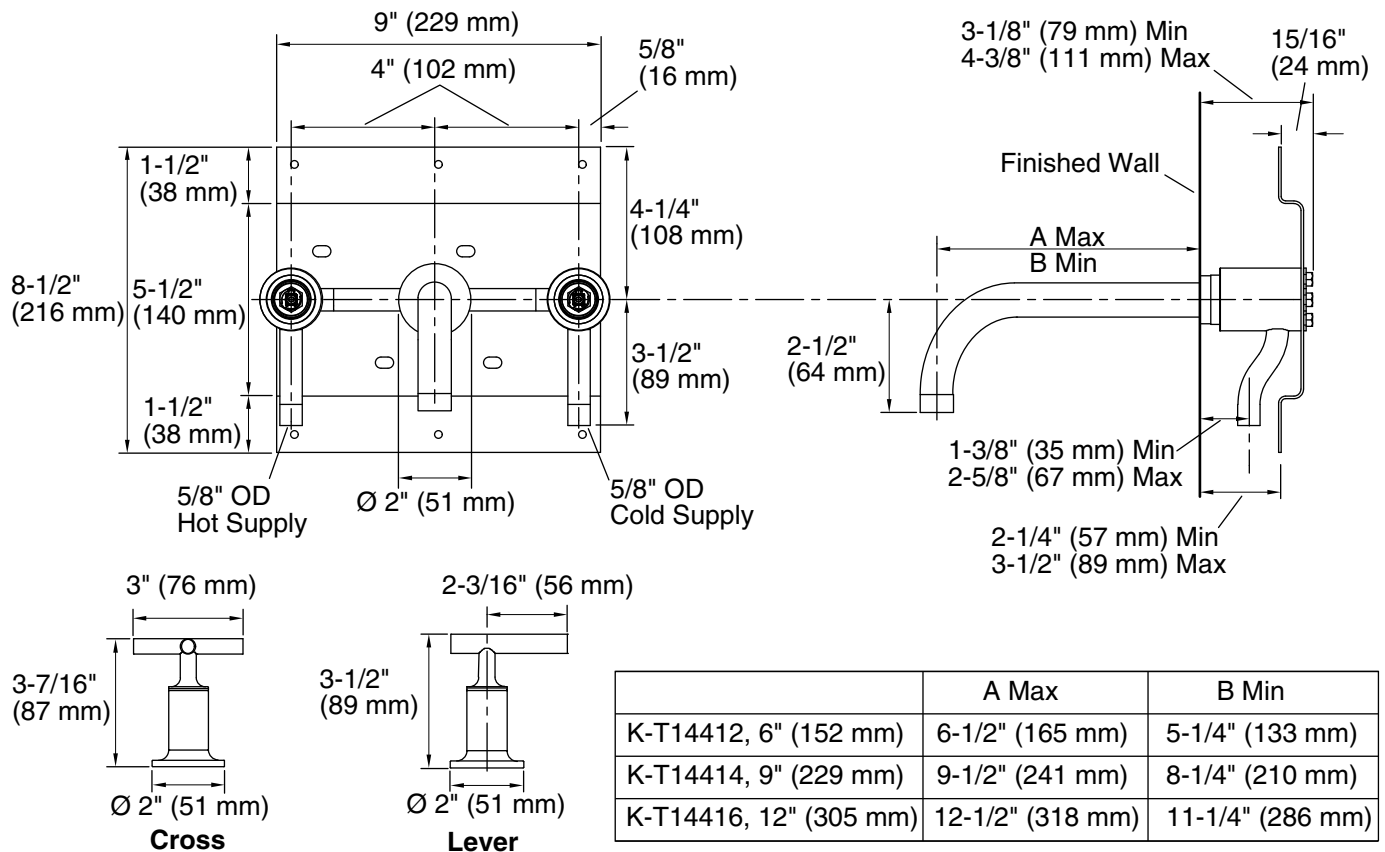
Required Accessories			
K-410-K	Wall-mount bathroom sink valve		<input type="checkbox"/> NA
Optional Accessories			
K-7114	Pop-up bathroom sink drain	<input type="checkbox"/> CP	<input type="checkbox"/> Other _____
K-7124	Touch-activated bathroom sink drain	<input type="checkbox"/> CP	<input type="checkbox"/> Other _____
K-7127	Bathroom sink drain with non-removable metal stopper	<input type="checkbox"/> CP	<input type="checkbox"/> Other _____
K-7129	Bathroom sink grid drain	<input type="checkbox"/> CP	<input type="checkbox"/> Other _____
_____	Additional flow options are available (refer to the Kohler Price Book)	<input type="checkbox"/> NA	

## Installation Notes

Install this product according to the installation guide.

The distance between the bottom of spout and top of the fixture rim must not be less than 1-1/2" (38 mm) and not greater than 6" (152 mm).

Three 1-1/2" (38 mm) diameter cutout holes are required for spout and handles.



## Product Diagram