

Features

- For baths 15" (381 mm) to 21" (533 mm) deep from the center of the bath overflow outlet to the center of the bath drain outlet.
- 30" (762 mm) length external cable.
- Includes a tee, drain ell, and overflow ell with attached 1-1/2" OD pipe.
- Flexible overflow joint conforms to various bath angles.
- Rotary or push handle controls and pop-up drain stopper (sold separately).
- No internal linkages to minimize the potential for clogging.

Material

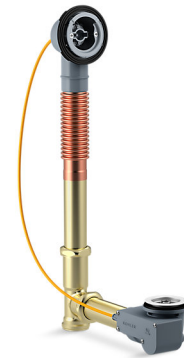
- Metal construction.
- 17-gauge brass pipe.

Installation

- Above- or through-the-floor installation offers installation flexibility.
- Flexible overflow neck for easy installation to fit various bath angles.

Required Products/Accessories

- K-T37391 Bath Cable Drain Trim
- or
- K-T37392 Bath Cable Drain Trim
- or
- K-T37393 Bath Cable Drain Trim
- or
- K-T37394 Bath Cable Drain Trim
- or
- K-T37395 Bath Cable Drain Trim
- or
- K-T37396 Bath Cable Drain Trim
- or
- K-T37397 Cable Bath Drain Trim

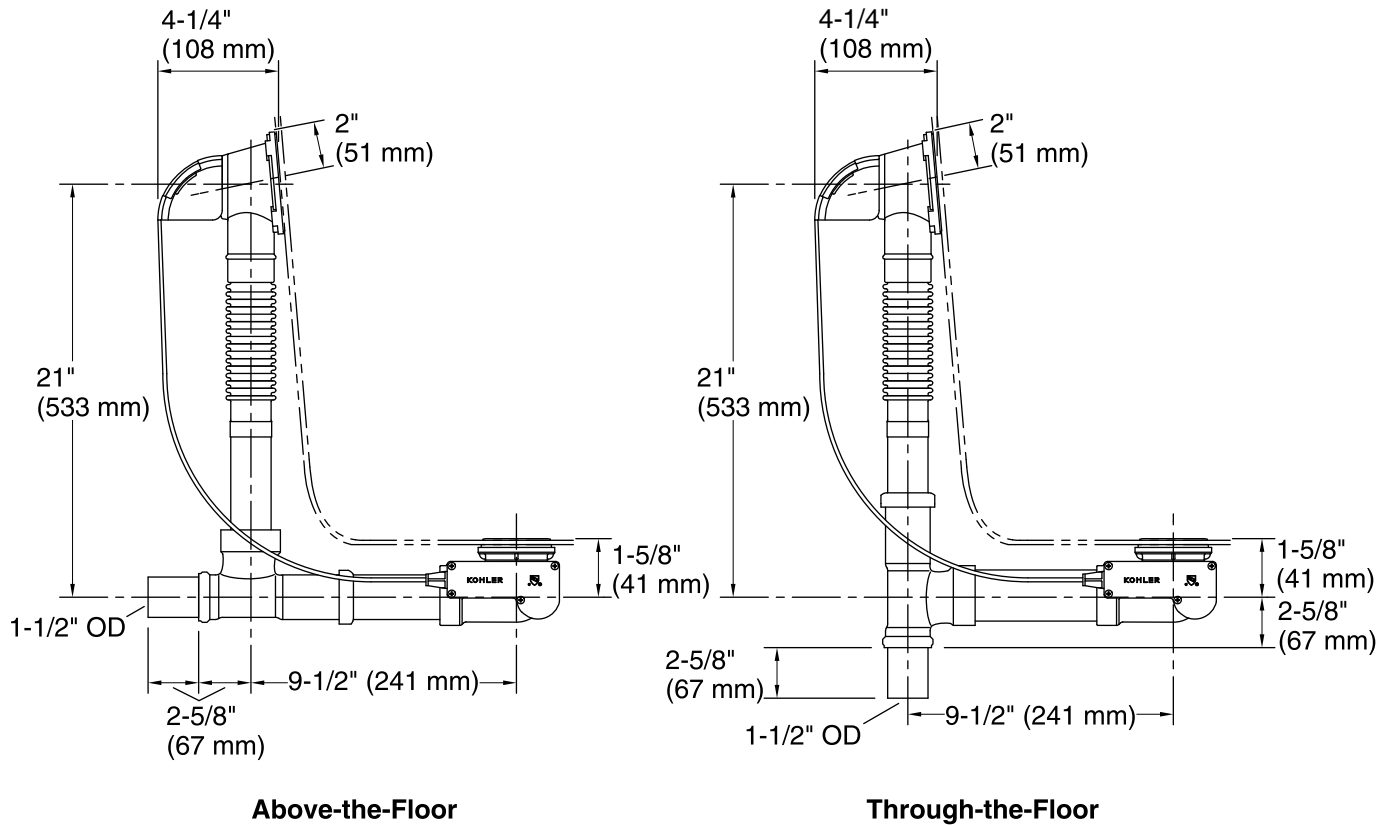


Codes/Standards

ASME A112.18.2/CSA B125.2

KOHLER® Faucet Lifetime Limited Warranty

See website for detailed warranty information.



Technical Information

All product dimensions are nominal.

Notes

Install this product according to the installation guide.

The drain and overflow tubes must be cut to correct length.