

# STERLING®

A KOHLER COMPANY

MCALLISTER®

## UNDERCOUNTER KITCHEN SINK 11600-NA

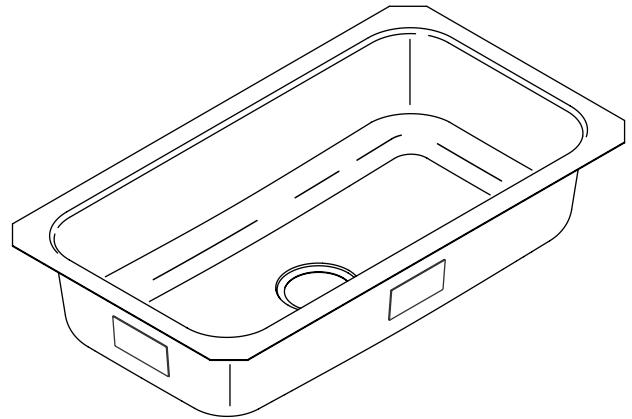
### Features

- Includes SilentShield® sound-absorption technology
- Satin finish
- 18-gauge stainless steel
- Undermount rimless design
- Single compartment
- 29-1/2" (74.9 cm) x 15-3/4" (40 cm) x 9-5/16" (23.7 cm)

### Codes/Standards Applicable

Specified model meets or exceeds the following:

- ASME A112.19.3/CSA B45.4



### Colors/Finishes

- NA: None applicable

### Specified Model

Model	Description	Holes	Quantity	Basin Depth	Colors/Finishes
11600-NA	Kitchen sink	0	1	9" (22.9 cm)	□ NA

## Technical Information

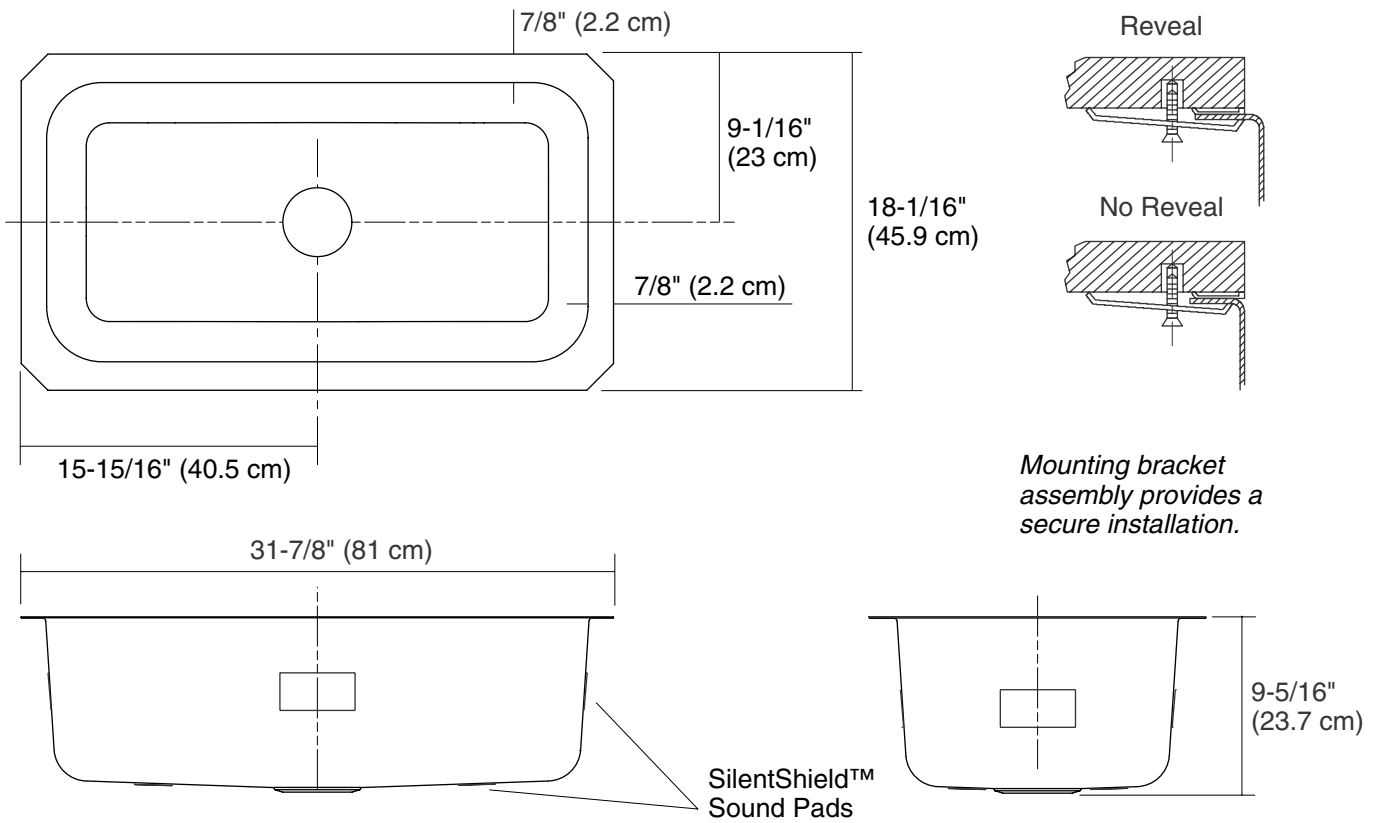
Fixture*:	
Basin area	29-1/2" (74.9 cm) x 15-3/4" (40 cm)
Water depth	9" (22.9 cm)
Drain hole	3-5/8" (9.2 cm) D.
* Approximate measurements for comparison only.	

Included Components:	
Cut-out template	1062109-7
Mounting hardware	91915

## Installation Notes

Install this product according to the installation guide.

Use the supplied cut-out template to select either a hidden or exposed rim.



## Product Diagram