



Accord® 60" Shower w/Backer Boards 72270106



Features

- Modular design allows it to be moved around corners and through doorways with ease.
- Durable high gloss finish.
- Convenient shelves provide generous storage space.
- Geometric back wall design adds visual interest.
- Wall surround includes backer boards for future grab bar installation.
- 60" (1524 mm) x 36" (914 mm) x 75-3/4" (1926 mm) rough-in dimensions include nailing flange.

Material

- Compression molded from our exclusive Vikrell® material.

Installation

- Four-piece modular design with pivot "snap together" installation.
- Caulk-free installation.



Recommended Accessories

- 5375EZ-57 Frameless Sliding Shower Door
- 5475-59 Frameless Sliding Shower Door
- 5477-59 Frameless Sliding Shower Door
- 5970-59 Framed Sliding Shower Door
- 5975-59 Framed Sliding Shower Door
- 5976-59 Framed Sliding Shower Door
- 5977-59 Framed Sliding Shower Door
- 547808-59 Frameless Bypass Shower Door
- 572075-59 Framed Sliding Shower Door
- 581075-59 Frameless Sliding Shower Door
- 80001012 12" Grab Bar
- 80001018 18" Grab Bar
- 80001024 24" Grab Bar
- 80011032 32" Grab Bar
- 80001036 36" Grab Bar
- 80012031 28" Grab Bar

Components

- Product includes:
- 72245106 36" Shower End Wall Set w/Backer Boards
 - 72271100 60" Shower Base
 - 72272106 60" Shower Back Wall w/Backers

Codes/Standards



- CSA B45.5/IAPMO Z124
- ASTM E162
- ASTM E662
- Greenguard UL 2818 - Gold
- HUD, UM Bulletin 73

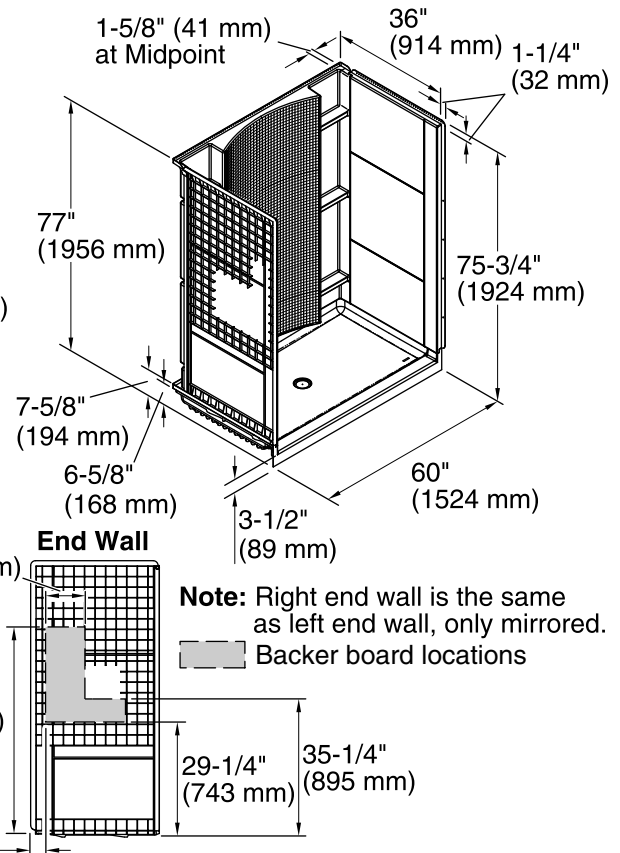
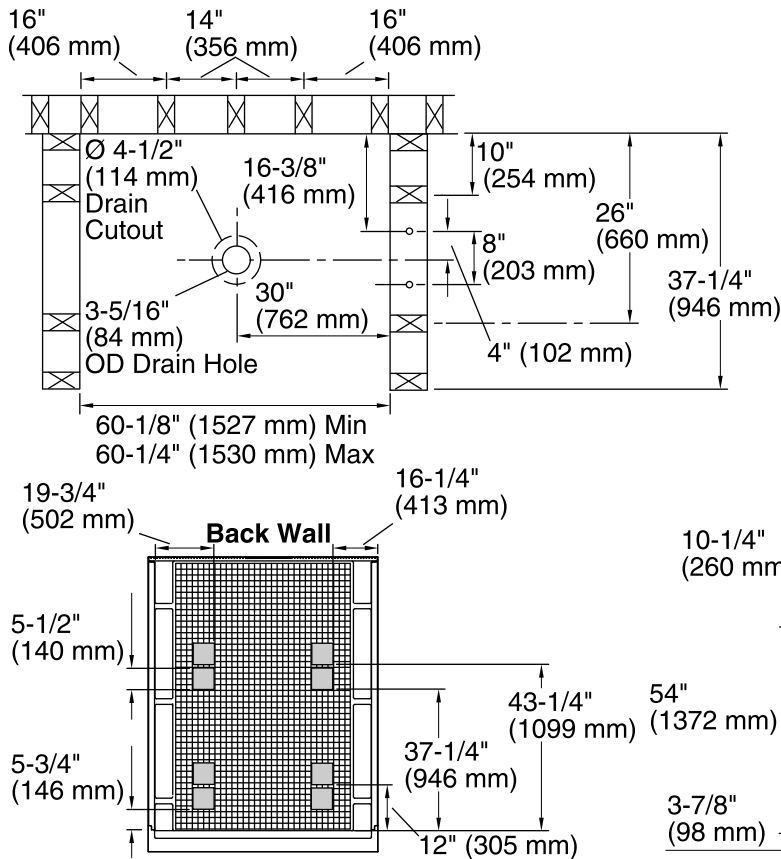
Warranty – Bathing Fixtures (and) Kitchen and Utility Sinks Made of Solid Vikrell® Material

See website for detailed warranty information.

Available Color/Finishes

Color tiles intended for reference only.

Color	Code	Description
	0	White
	96	KOHLER Biscuit



Technical Information

All product dimensions are nominal.

- Installation: 3-Wall Alcove
- Drain location: Center
- Drain hole diameter: 3-5/16" (84 mm)
- Minimum flat for door: 3-1/4" (83 mm)
- Threshold height: 3-1/2" (89 mm)
- Maximum door height: 72" (1829 mm)
- Maximum door width: 56-5/8" (1438 mm)

Notes

- Install this product according to the installation instructions.
- Receptor cannot be installed without the wall surround.
- Attach grab bars at the specified backer board locations only.
- Studs should be positioned roughly as shown.
- Double studding is recommended for pivot shower door installations.