



## Drainage/Supplies

38mm(1 1/2") size Cast P trap  
292mm(11.5") from centerline of inlet to outlet  
with cleanout plug

## Model No: 33T360

### COMPLIES WITH:

- CSA certified.
- Complies to ASME A112.18.2/CSA B125.2
- Patented
- (Contact Delta Representative for State and/or Local Approvals)



### SPECIFICATION:

- 38mm(1 1/2") size P trap
- 292mm(11.5") from centerline of inlet to outlet
- With cleanout plug
- Polished chrome plated
- Cast brass body
- Adjustable

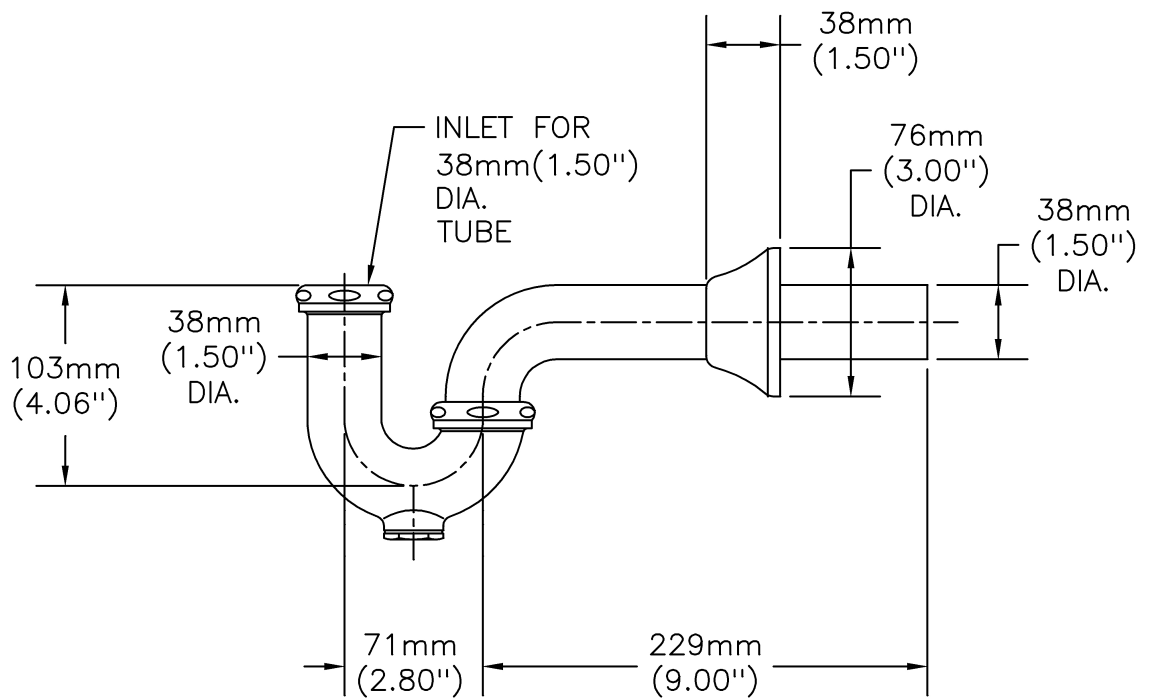
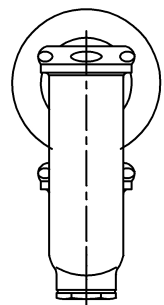
### OPERATION:

- Not Available

***(Dimensional drawing on following page)***

Delta reserves the right (1) to make changes to specifications and materials, and (2) to change or discontinue models, both without notice or obligation. Dimensions are for reference. Measurement may vary plus or minus 6mm(0.25"). Mounting locations are suggested only. Check with local codes for requirements in your area. This spec was produced June 17, 2015.

Delta Faucet Company - 55 East 111th St. - Indianapolis, Indiana, USA 46280 - (317) 848-1812  
Delta Faucet Canada - 395 Matheson Blvd E - Mississauga, Ontario, Canada L4Z 2H2 - (905) 712-3030



Delta reserves the right (1) to make changes to specifications and materials, and (2) to change or discontinue models, both without notice or obligation. Dimensions are for reference. Measurement may vary plus or minus 6mm(0.25"). Mounting locations are suggested only. Check with local codes for requirements in your area. This spec was produced June 17, 2015.