

**Features**

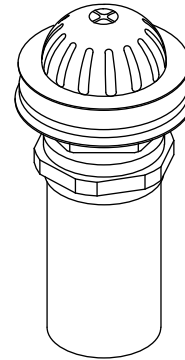
- Brass construction
- Intended for urinal installations
- Available with stainless steel beehive or china grate

**Codes/Standards Applicable**

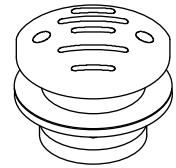
Specified model meets or exceeds the following:

- ASME A112.18.2/CSA B125.2

**STRAINER**  
**K-9161**  
ALSO K-9172, K-9183



**K-9161**  
**K-9183**



**K-9172**

**Colors/Finishes**

- NA: None applicable

**Specified Model**

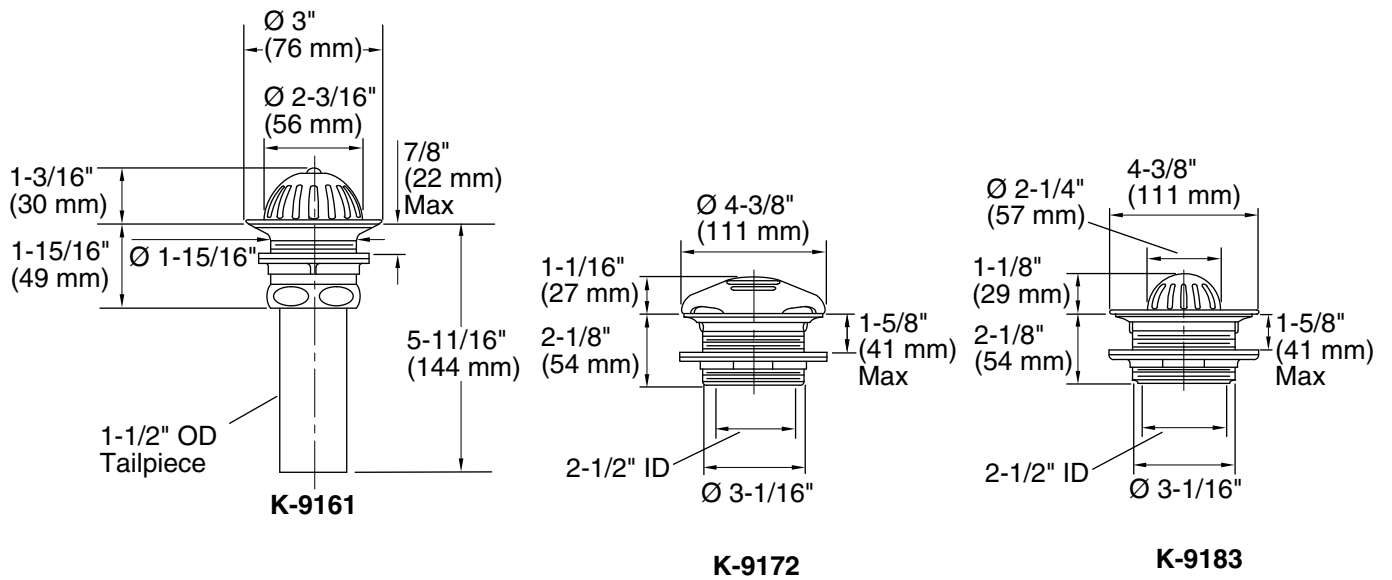
Model	Description	Colors/Finishes		
K-9161	Beehive strainer with tailpiece	<input type="checkbox"/> NA		
K-9172	China grate strainer		<input type="checkbox"/> NA	
K-9183	Beehive strainer less tailpiece			<input type="checkbox"/> NA

**Product Specification**

Urinal strainer shall be of brass construction. K-9161 is intended for enameled iron urinal installations. K-9172 and K-9183 are intended for vitreous china urinal installations with caulking 2" iron pipe or soldering 2" lead pipe connection. Strainer shall be Kohler Model K-\_\_\_\_\_-NA.

## Installation Notes

Install this product according to the installation notes.



## Product Diagram