

# ELECTRONIC TRAP PRIMER

» 695-ES01

ETP™

## SPECIFICATION

Sioux Chief 695 Series ETP™ electronic trap primers shall be used where necessary to replenish water in floor drain traps to prevent escape of sewer gas. Trap Primer shall be listed and certified to ASSE 1044 and equipped with solenoid actuating device, vacuum breaker and proper electrical hardware. Trap primer's water release shall be factory-set for daily operation of 2 ounces of water and allow adjustment of the frequency and duration of the priming operation. Trap primer shall be equipped with an ASSE 1010 water hammer arrester to protect the solenoid device. Trap primer unit shall include a brass extension nipple (not pre-installed) to be used when additional length is needed. Trap primers not including an access box can be used in conjunction with various accessories within the 695 series (distribution splitter and wye) to prime up to 8 drains. The number of traps serviced by any trap primer is a function of activation frequency and evaporation rate and should be determined by the design engineer and/or the installing contractor.

## MATERIALS

**Arrester:** stainless steel, EPDM o-ring, plastic piston, DOW 111 lubricant

**Distribution vacuum breaker:** brass

**Solenoid:** plastic housing, brass insides

**Extension nipple:** brass

## OPTIMAL OPERATING TEMPERATURE/PRESSURE

35°F – 140°F / 20 psi – 80 psi

## MAX OPERATING TEMPERATURE/PRESSURE

100 PSI operating / 150 PSI testing

## ELECTRICAL

Connect unit to 120V AC supply. Power consumption is 9.2 watts at 60 Hz.

Maximum distance to electrical supply: 300 ft.

Minimum wire gauge: 18 ga.

## DIMENSIONS

- A: inlet connection      ½" MIP thread
- B: outlet connections    ½" MIP thread
- C: extension nipple      ½" FIP x ½" MIP x 4½"

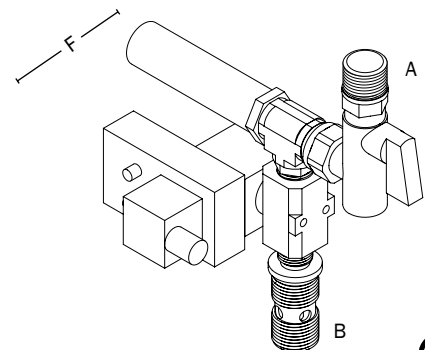
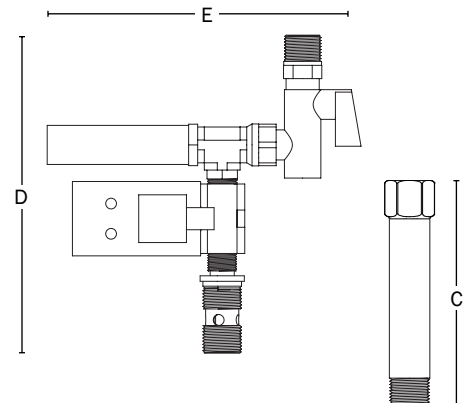
### Surface Mount Unit

- D: overall height        7.5"
- E: overall width        7.25"
- F: overall depth        3.5"

ITEM # SUBMITTED	_____
JOB NAME	_____
LOCATION	_____
ENGINEER	_____
CONTRACTOR	_____
PO#	_____ TAG _____



695-ES01



Item Number

**695-ES01**