

Lead-Free Bronze Stop & Drain Valves

Features: Silicon Performance Bronze® Alloy

Approvals: NSF/ANSI 61-8 (includes annex F and G) and NSF/ANSI 372

Pressure rating: 125 PSI non-shock cold working pressure

Maximum pressure / temperature: 125 PSI at 180° F

Lead-free markings:

Double oval in body casting and white handle



MATERIALS LIST

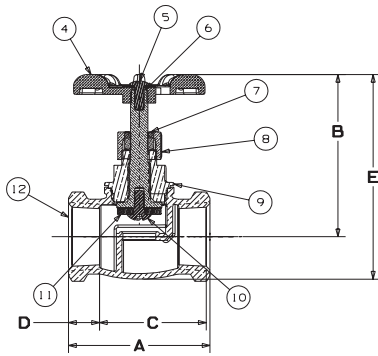
PART	SPECIFICATION
Body	ASTM B584 Alloy C87850
Bonnet	ASTM B584 Alloy C87850
Stem	Cold-formed Copper Alloy
Seat Disc	EPDM
Seat Disc Screw	Stainless Steel, Type 410
Packing Nut	Free Cutting Brass - ASTM B16
Packing	Graphite Impregnated, Asbestos-Free
Handwheel	Epoxy Coated Zinc Alloy
Handwheel Screw	Carbon Steel - Clear Chromate Finish



726-LF
Cup x Cup

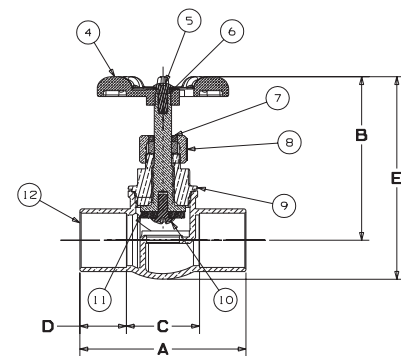


76-LF
FIP x FIP



76-LF

DESCRIPTION	NOM. SIZE	DIMENSIONS		APPROX. NET WT.
		A	B	
Stop & Waste Valve	1/2"	2 ³ / ₁₆ "	2 ⁹ / ₁₆ "	.54 lb
FIP x FIP	3/4"	2 ⁵ / ₁₆ "	2 ⁹ / ₁₆ "	.60 lb



726-LF

DESCRIPTION	*NOM. SIZE	DIMENSIONS		APPROX. NET WT.
		B	C	
Stop & Waste Valve	1/2"	2 ⁹ / ₁₆ "	1 ³ / ₁₆ "	.42 lb
Cup x Cup	3/4"	2 ⁹ / ₁₆ "	1 ³ / ₁₆ "	.49 lb

DIMENSIONS—WEIGHTS—QUANTITIES

NOM SIZE	A	B	C	D	E	F	76-LF	726-LF	Master
In. mm.	In. mm.	In. mm.	In. mm.	In. mm.	In. mm.	In. mm.	Lbs. Kg.	Lbs. Kg.	Ctn Qty.
1/2	15 2.16	55 2.19	56 1.44	37 0.36	9 3.06	78 2.12	54 0.54	0.42 0.XX	50
3/4	20 2.28	58 2.31	59 1.28	33 0.50	13 3.21	82 2.12	54 0.60	0.49 0.XX	50

WARNING: This product can expose you to chemicals including lead, which is known to the State of California to cause cancer and birth defects or other reproductive harm. For more information go to www.P65Warnings.ca.gov.

LEAD-FREE: Weighted average lead content ≤ 0.25%