

Robertshaw®

**41-200
SERIES**

**COOKING HOT
SURFACE IGNITORS**

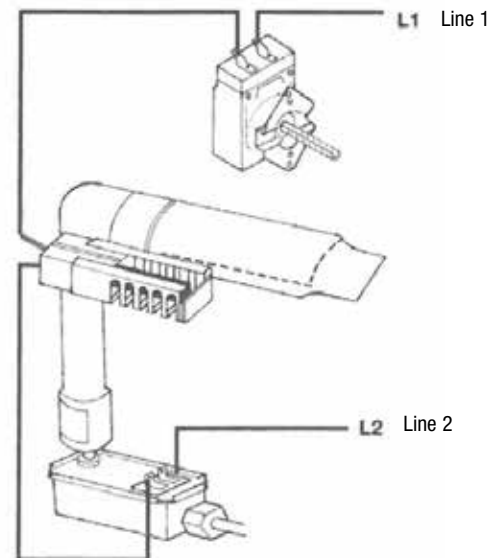
Robertshaw® hot surface ignitors are engineered to meet all your gas range and oven needs. These ignitors are used in the ranges of most major appliance OEMs. In addition, these ignitors are designed to match the Robertshaw bi-metal gas valves.



Features and Benefits

- High physical and thermal strength
- Easy mounting
- Silent ignition
- Kits include two (2) porcelain nuts

TYPICAL APPLICATION



Specifications

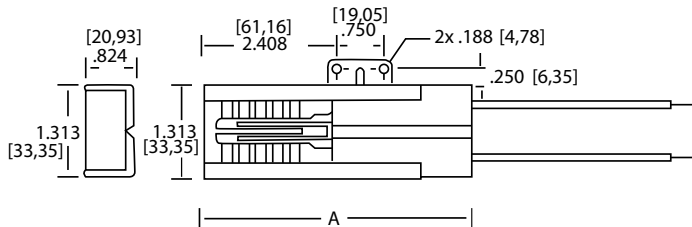
- Commercial 24 VAC and residential 120 VAC versions available
- Ratings of 1.4 to 3.6 Amps available
- Replaces carborundum style ignitors
- Leads available in 4.5" to 40" [114mm to 1016mm]

PRODUCT DIMENSIONS

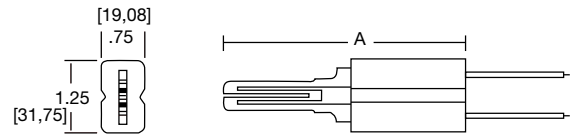
Dimensions are inches and [millimeters].

Four examples of the many styles available.

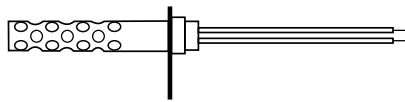
TYPE 501A & 551A (Blue Ceramic)



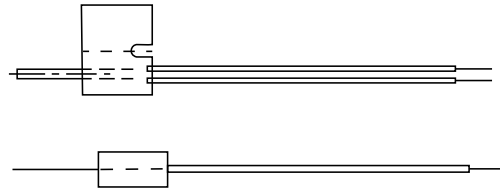
TYPE 501



TYPE 401 XM



TYPE 401 N



PART NUMBER SELECTION

| Part | Length A | Lead Length | Type | Amp Rating | Operating Voltage | Comments |
|--------|-------------|--------------|-------|--------------|-------------------|----------------------------------------------------|
| 41-202 | 5½" [140mm] | 16¾" [426mm] | 501A | 3.2 to 3.6 A | 120 VAC | |
| 41-203 | 6¼" [159mm] | 11½" [292mm] | 501A | 3.2 to 3.6 A | 120 VAC | |
| 41-204 | 4½" [114mm] | 14½" [368mm] | 501A | 3.2 to 3.6 A | 120 VAC | |
| 41-205 | 3½" [89mm] | 19" [483mm] | 501A | 3.2 to 3.6 A | 120 VAC | |
| 41-206 | 7¼" [184mm] | 8¾" [213mm] | 501 | 3.2 to 3.6 A | 120 VAC | No Shield 5½" [140mm] Ceramic |
| 41-207 | 7½" [191mm] | 12" [305mm] | 501A | 3.2 to 3.6 A | 120 VAC | |
| 41-208 | 4½" [114mm] | 4¼" [108mm] | 551A | 2.5 to 3.0 A | 120 VAC | Replaces Round Carborundum Ignitors - Blue Ceramic |
| 41-209 | 3½" [89mm] | 16¾" [426mm] | 501 | 3.2 to 3.6 A | 120 VAC | Has Plug Adaptor |
| 41-210 | 3¾" [95mm] | 8¾" [213mm] | 501 | 3.2 to 3.6 A | 120 VAC | No Shield |
| 41-224 | NA | 36" [914mm] | 401XM | 1.4 to 2.1 A | 24 VAC | |
| 41-423 | NA | 40" [1016mm] | 401N | 1.4 to 2.1 A | 24 VAC | |

WARNING: It is the responsibility of the OEM to determine if flame sensing through the ignitor is viable for each application.