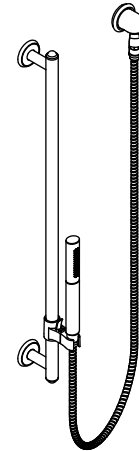




Features

- Finish is engineered to resist corrosion and daily wear
- Black or grey handshower handle depending on finish ordered
- Adjustable handshower rotates to select wide coverage or concentrated spray options
- MasterClean™ spray nozzles to prohibit mineral build-up for easy cleaning
- Covered by KOHLER lifetime limited warranty
- Handshower offers 2.5 gal/min (9.5 l/min) maximum flow rate
- Includes handshower, slidebar, supply elbow, vacuum breaker, and 60" (1524 mm) metal shower hose
- 24-3/4" (629 mm) slidebar length offers a custom shower at various heights

HOTEL HANDSHOWER KIT K-8487



Codes/Standards Applicable

Specified model meets or exceeds the following:

- ASME A112.18.1/CSA B125.1

Colors/Finishes

- CP: Polished Chrome
- Other: Refer to Price Book for additional colors/finishes

Specified Model

Model	Description	Colors/Finishes	
K-8487	Hotel handshower kit	<input type="checkbox"/> CP	<input type="checkbox"/> Other_____

Product Specification

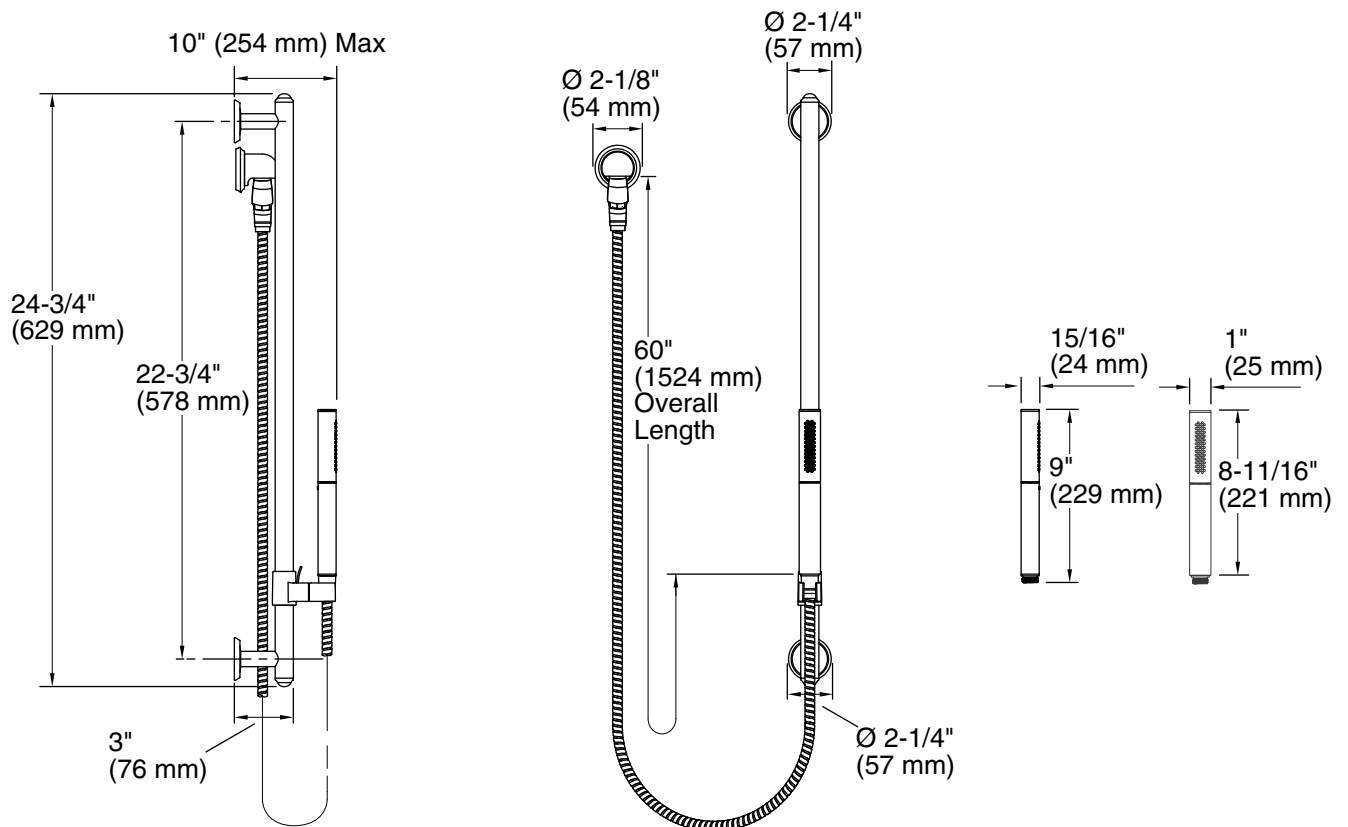
The handshower kit shall be 24-3/4" (629 mm) in length offering a custom shower at various heights. Kit shall feature a finish engineered to resist corrosion and daily wear. Kit shall feature black or grey handshower handle depending on finish ordered. Handshower shall rotate to select wide coverage or concentrated spray options. Handshower offers 2.5 gal/min (9.5 l/min) maximum flow rate. Kit shall feature MasterClean spray nozzles to prohibit mineral build-up for easy cleaning. Kit shall include handshower, slidebar, supply elbow, vacuum breaker, and 60" (1524 mm) metal shower hose. Kit shall be covered by the KOHLER lifetime limited warranty. Handshower kit shall be Kohler Model K-8487-_____.

Installation Notes

Install this product according to the installation guide.

IMPORTANT! The sidebar must be mounted to stud framing at both the top and bottom mounting locations. Do not use or depend on plastic wall anchors to attach the sidebar.

Model includes handshower with vacuum breaker. Plumbing codes may require a vacuum breaker be installed in-line to handshowers. Consult with local plumbing codes.



Product Diagram