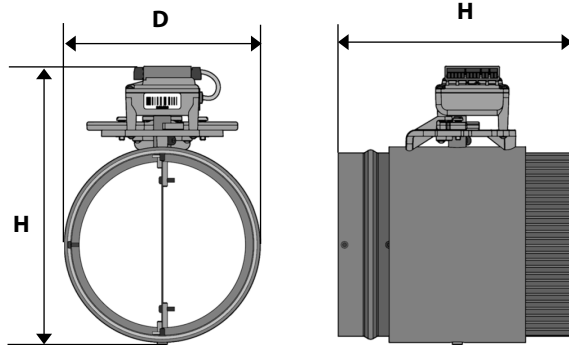


Job Name:

Schedule Reference:

Date:

AIRZONE ZBS 10" WIRED INTELLIGENT ROUND DAMPER



TECHNICAL SPECIFICATIONS

Damper with actuator

* Power supply		
Type of power supply	Vdc	
V max	12 V	
I max	250 mA	
Mechanical aspects		
Torque at the actuator axle	0.8 Nm	
Size	Weight	Dimensions (WxHxD)
10"	1.961 kg (4.32 lb)	266.7x337.2x257.7 mm (10.5x13.3x10.2")

* All electrical work shall comply with National (CEC) and local codes and regulations.

FEATURES / BENEFITS

Features:

- Input for detection of open windows.
- Input for detection of presence.
- Probe input.
- Remote probe function and distributed probe function.

It is prohibited to use a supplemental ducted heating system with Airzone.

Damper with actuator

Damper with actuator of 6, 8 or 10 inch diameter. Powered with 12 VDC by the zone module.

Zone module

Local control module for controlling the opening and closing of the damper. Communicated with zone thermostat through cable. Powered through system Airzone connection bus.

Zone module

* Power supply and consumption	
Type of power supply	Vdc
V max	12 V
I max	0.5 A
Stand-by consumption	0.6 W
Airzone connection bus	
Type of cable	Shielded and twisted
Communication wires	2 x 0.22 mm ² (AWG 23 – 2 wired)
Power supply wires	2 x 0.5 mm ² (AWG 20 – 2 wired)
Maximum distance	100 m (328 ft)
Thermostat connection	
Type of cable	Shielded and twisted
Communication wires	2 x 0.22 mm ² (AWG 23 – 2 wired)
Power supply wires	2 x 0.5 mm ² (AWG 20 – 2 wired)
Maximum distance	40 m (130 ft)
Digital and analog inputs	
Window and presence contacts	Voltage-free
Maximum distance	10 m (33 ft)
Analog input	NTC 10 KΩ at 25°C
Maximum distance	3 m (10 ft)

Note: Mitsubishi Electric (MESCA) supports the use of only MESCA supplied and approved accessories for proper functioning of the unit(s). Use of non-MESCA supported accessories will affect warranty coverage.

Notes: