

CGs Section Assembly

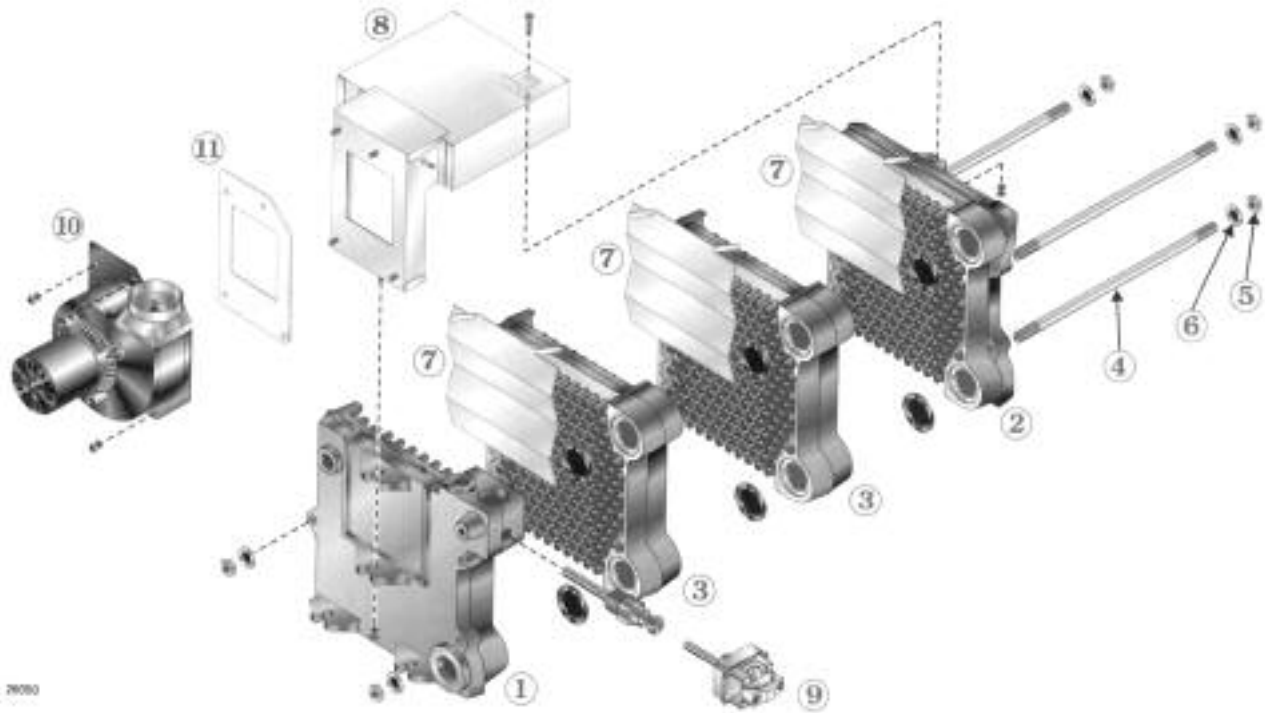


Fig. No.	Part No.	Description	Mfr.	Mfr.'s Part No.	Boiler Size	Notes
1	311-103-830	End Section, Left Hand, Cast # 51124	Weil-McLain		All	
2	311-103-821	End Section, Right Hand, Cast # 51128	Weil-McLain		All	
3	311-103-818	Intermediate Section, Cast # 51125	Weil-McLain		All	
NS	321-114-345	Replacement Section Assembly	Weil-McLain		3	
	321-114-346	Replacement Section Assembly	Weil-McLain		4	
	321-114-347	Replacement Section Assembly	Weil-McLain		5	
	321-114-348	Replacement Section Assembly	Weil-McLain		6	
	381-354-527	Section Replacement Kit, Includes Seals and Sealant for 1 Joint	Weil-McLain		All	
4	560-234-500	Tie Rod, 7/16" x 9" Without Nut (3 per Boiler)	Weil-McLain		3	
	560-234-501	Tie Rod, 7/16" x 12" Without Nut (3 per Boiler)	Weil-McLain		4	
	560-234-502	Tie Rod, 7/16" x 15" Without Nut (3 per Boiler)	Weil-McLain		5	
	560-234-503	Tie Rod, 7/16" x 18" Without Nut (3 per Boiler)	Weil-McLain		6	
5	561-928-235	Nut, 7/16" (2 per Tie Rod)	Weil-McLain		All	
6	562-248-684	Washer, Lock 7/16" (1 per Tie Rod)	Weil-McLain		All	
7	460-003-700	Radiation Plate (1 per Joint)	Weil-McLain		All	
8	381-354-590	Collector Hood and Transition Assembly	Weil-McLain		3	
	381-354-591	Collector Hood and Transition Assembly	Weil-McLain		4	
	381-354-592	Collector Hood and Transition Assembly	Weil-McLain		5	
	381-354-593	Collector Hood and Transition Assembly	Weil-McLain		6	
9	510-312-250	High Limit, 30° Subtractive Differential, With Well	Honeywell	L4080D-1036	All	
		High Limit, 30° Subtractive Differential, With Well	White-Rodgers	11B81-3		
10	381-356-499	Inducer Fan Assembly Kit, Includes Inducer Fan Assembly, Gasket and Nuts	Fasco	7021-10410	All	
				7062-5326		
11	590-317-627	Gasket, Inducer	Weil-McLain		All	
NS	382-200-430	Includes Intake/Exhaust cap, coupling, mounting & backing plate and hardware	Weil-McLain			

CGi Series 2 Section Assembly

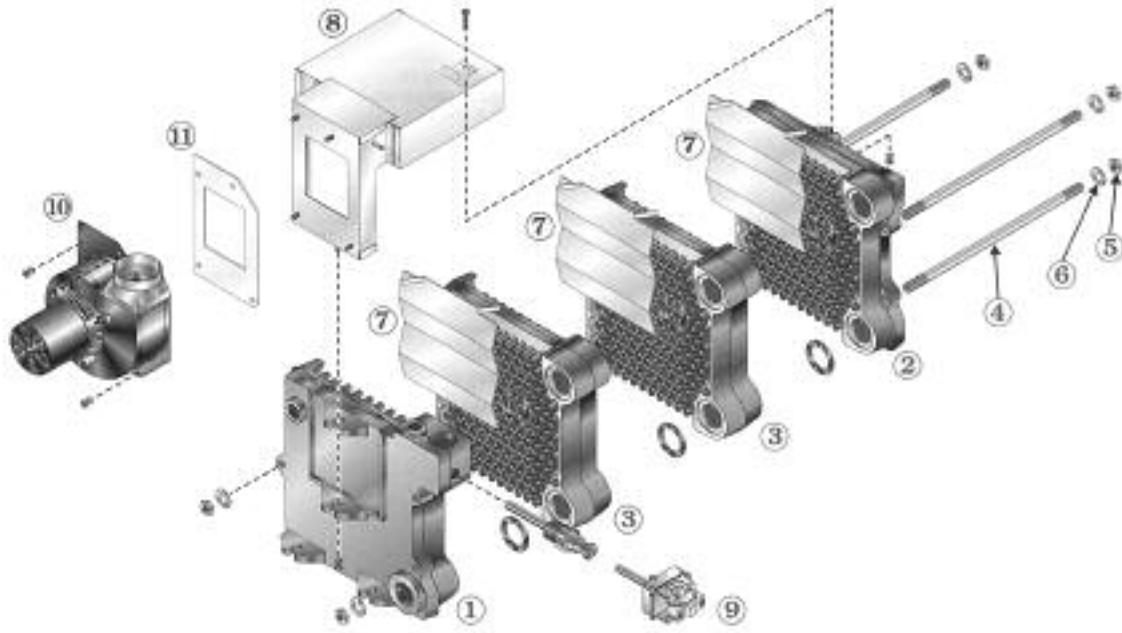


Fig. No.	Part No.	Description	Mfr.	Mfr.'s Part No.	Boiler Size	Notes
1	311-103-830	End Section, Left Hand, Cast # 51124	Weil-McLain		All	
2	311-103-821	End Section, Right Hand, Cast # 51128	Weil-McLain		All	
3	311-103-818	Intermediate Section, Cast # 51125	Weil-McLain		All	
NS	321-114-345	Replacement Section Assembly	Weil-McLain		25, 3	
	321-114-346	Replacement Section Assembly	Weil-McLain		4	
	321-114-347	Replacement Section Assembly	Weil-McLain		5	
	321-114-348	Replacement Section Assembly	Weil-McLain		6	
	321-114-349	Replacement Section Assembly	Weil-McLain		7	
	321-114-350	Replacement Section Assembly	Weil-McLain		8	
NS	381-354-527	Section Replacement Kit, Includes Seals and Sealant for 1 Joint	Weil-McLain		All	
4	560-234-500	Tie rod, 7/16" x 9" without nut (3 required per boiler)	Weil-McLain		25, 3	
	560-234-501	Tie rod, 7/16" x 12" without nut (3 required per boiler)	Weil-McLain		4	
	560-234-502	Tie rod, 7/16" x 15" without nut (3 required per boiler)	Weil-McLain		5	
	560-234-503	Tie rod, 7/16" x 18" without nut (3 required per boiler)	Weil-McLain		6	
	560-234-504	Tie rod, 7/16" x 21" without nut (3 required per boiler)	Weil-McLain		7	
	560-234-505	Tie rod, 7/16" x 24" without nut (3 required per boiler)	Weil-McLain		8	
5	561-928-235	Nut, 7/16" (2 per tie rod)	Weil-McLain		All	
6	562-248-684	Washer, Lock 7/16" (1 per tie rod)	Weil-McLain		All	
7	460-003-700	Radiation Plate (1 per joint)	Weil-McLain		All	
8	450-000-010	Collector Hood and Transition Assembly	Weil-McLain		25	
	450-000-011	Collector Hood and Transition Assembly	Weil-McLain		3	
	450-000-012	Collector Hood and Transition Assembly	Weil-McLain		4	
	450-000-013	Collector Hood and Transition Assembly	Weil-McLain		5	
	450-000-014	Collector Hood and Transition Assembly	Weil-McLain		6	
	450-000-015	Collector Hood and Transition Assembly	Weil-McLain		7	
450-000-016	Collector Hood and Transition Assembly	Weil-McLain		8		
9	510-312-250	High Limit, 30° Differential With Well	Honeywell	L4080D-1036	All	
		High Limit, 30° Differential With Well	White-Rodgers	11B81-3		
10	381-356-499	Inducer Fan Assembly Kit, Includes Inducer Fan Assembly, Gasket and Nuts	Fasco	7062-5326	All	
				7021-10410		
11	590-317-627	Gasket, Inducer	Weil-McLain		All	