



GERBER

www.gerberonline.com

Avalanche™ 1.28 GPF Elongated Toilet

12" Rough-In

Features:

□ WS-21-812

- Vitreous china
- Combination bowl and tank
- 3" Flush valve with Fluidmaster® fill valve for quiet fill
- 12" rough-in
- Elongated bowl
- Dual-fed siphon jet action bowl (no splashing)
- 2" Fully Glazed trapway for effective waste removal
- Color matched metal tank lever
- 6 point tank to bowl connection for tank stability
- Sanitary bead for easy cleaning
- Color matched Bolt caps included
- Toilet seat not included



Technical Information:

Included Components:

- Combination WS-21-812
- Bowl AV-21-862
- Tank WS-28-890

Other Tank Options: (bowl to be purchased separately)

- Insulated Tank WS-28-892
- Tank with Right Hand Lever WS-28-890-97

Fixtures:

Configuration	two-piece, elongated
Water per Flush	1.28 gpf (4.8 Lpf)
Rough-In	12"
Height	29 3/4"
Width	17 1/8"
Depth	29 1/4"
Trapway	2"
Large Water Surface	10 1/4" x 7 1/8"
Shipping Weight	84 lbs

Optional Accessories: (to be purchased separately)

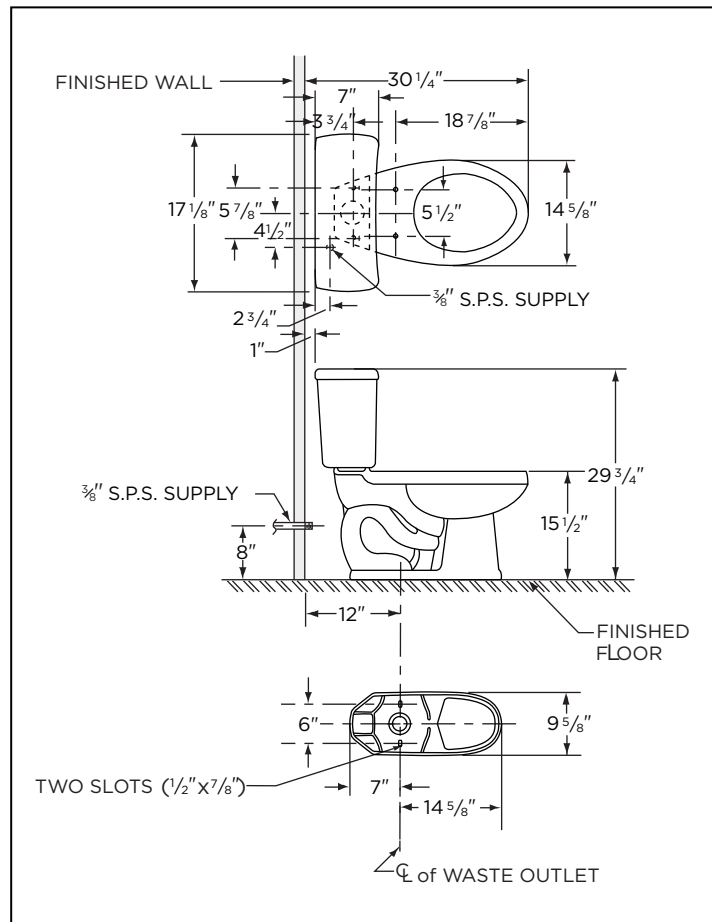
Soft Close Toilet Seat	99-213
------------------------	--------

Colors/Finishes:

- White
- Other: Refer to Price Book for additional colors/finishes

Warranty:

- Limited lifetime warranty



NOTES: All dimensions are in inches. Illustrations may not be drawn to scale.

IMPORTANT:

Dimensions of fixtures are nominal and may vary within the range of tolerances established by ASME standard A 112.19.2 THIS FIXTURE QUALIFIES ACCORDING TO ASME TEST PROCEDURES AS A HIGH EFFICIENCY WATER CLOSET WITH AN AVERAGE CONSUMPTION OF 1.28 gpf (4.8 Lpf) OR LESS.