

# ASTM F1960 PEX POLYMER FITTING SYSTEM

»» 6\_WP SERIES

Grip™

ITEM # SUBMITTED	_____
JOB NAME	_____
LOCATION	_____
ENGINEER	_____
CONTRACTOR	_____
PO#	_____ TAG _____

## SPECIFICATION

Sioux Chief ASTM F1960 Grip™ polymer PEX fitting system shall be used in hot and cold water distribution systems. Fittings are approved for use with ASTM F876 PEX tubing with cold-expansion rings. Please contact Sioux Chief representative for specific product information within the Sioux Chief ASTM F1960 product offering.

## MATERIALS

Polyphenylsulfone (PPSU) - NSF Listed

## SAFE HANDLING

Solvents, glues, lubricants, pipe dopes, ethylene glycol, thread oils and paste should not come in contact with PPSU fittings. Store fittings away from petroleum products and direct sunlight (UV exposure).

## APPLICATIONS

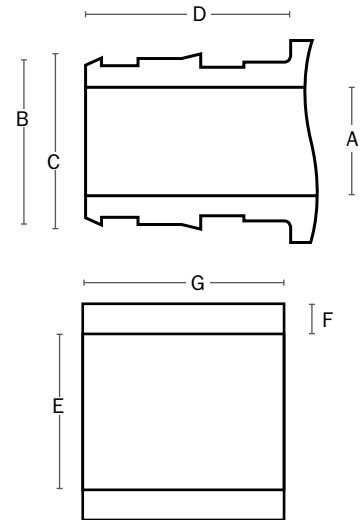
Sioux Chief polymer F1960 fittings should only be used in operating conditions that are consistent with the temperature and pressure ratings of the tube and all applicable standards. Polymer F1960 fittings are suitable for radiant heating and cooling under the following conditions:

1. Use only propylene glycol (food grade) to maximum 60% by volume
2. DO NOT USE ETHYLENE GLYCOL WITH PPSU FITTINGS
3. Recommended Corrosion Inhibitors: Metal Guard™
  - H50 6% by volume
  - H60 4% by volume
  - H80 4% by volume



## INSTALLATION NOTES

Full installation instructions can be found at [www.siouxchief.com](http://www.siouxchief.com). ASTM F1960 connections with PowerPEX® type B tubing must be made with a self-rotating, power expansion tool. ASTM F1960 connections made in temperatures below 35 °F with either Sioux Chief PowerPEX® type A or type B tubing should be conditioned per Sioux Chief installation instructions to allow the tube and ring to annularly constrict around the sealing barb of the fitting thereby achieving an air-tight pressure seal. Pressure test all joints before use.



## DIMENSIONS per ASTM F1960

	1/2"	3/4"	1"
<b>A:</b> Ftg Inside diameter	0.385" min	0.590" min	0.788" min
<b>B:</b> Ftg Upper barb diameter	0.571" min 0.579" max	0.787" min 0.795" max	1.024" min 1.032" max
<b>C:</b> Ftg Lower barb diameter	0.610" min 0.618" max	0.866" min 0.874" max	1.102" min 1.110" max
<b>D:</b> Fitting end length	0.689" min 0.749" max	0.925" min 0.985" max	1.161" min 1.221" max
<b>E:</b> Ring inside diameter	0.633" +/- 0.003	0.882" +/- 0.004	1.134" +/- 0.004
<b>F:</b> Ring wall thickness	0.123" +/- 0.005	0.123" +/- 0.005	0.143" +/- 0.006
<b>G:</b> Ring overall height	0.630" +/- 0.020	0.866" +/- 0.020	1.102" +/- 0.030



### Item Number Series

**632WP** = MIP Elbow Adapters  
**637WP** = FIP Swivel Adapters  
**640WP** = Plugs  
**641WP** = Tees

**642WP** = Elbows  
**645WP** = Couplings  
**646WP** = MIP Adapters  
**672WP** = Multi-port Tees