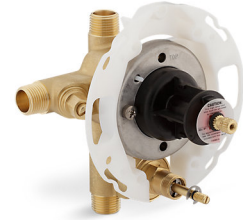


### Features

- Rite-Temp® pressure-balancing diaphragm design.
- Pressure-balancing mechanism of one-piece diaphragm cartridge design for ease of maintenance.
- Mixing valve cycles from "cold" to "hot".
- Integral diverter mechanism.
- High-temperature limit setting for added safety.
- Available with or without screwdriver stops.
- Designed for showerhead and handshower applications.

### Material

- Brass valve bodies.

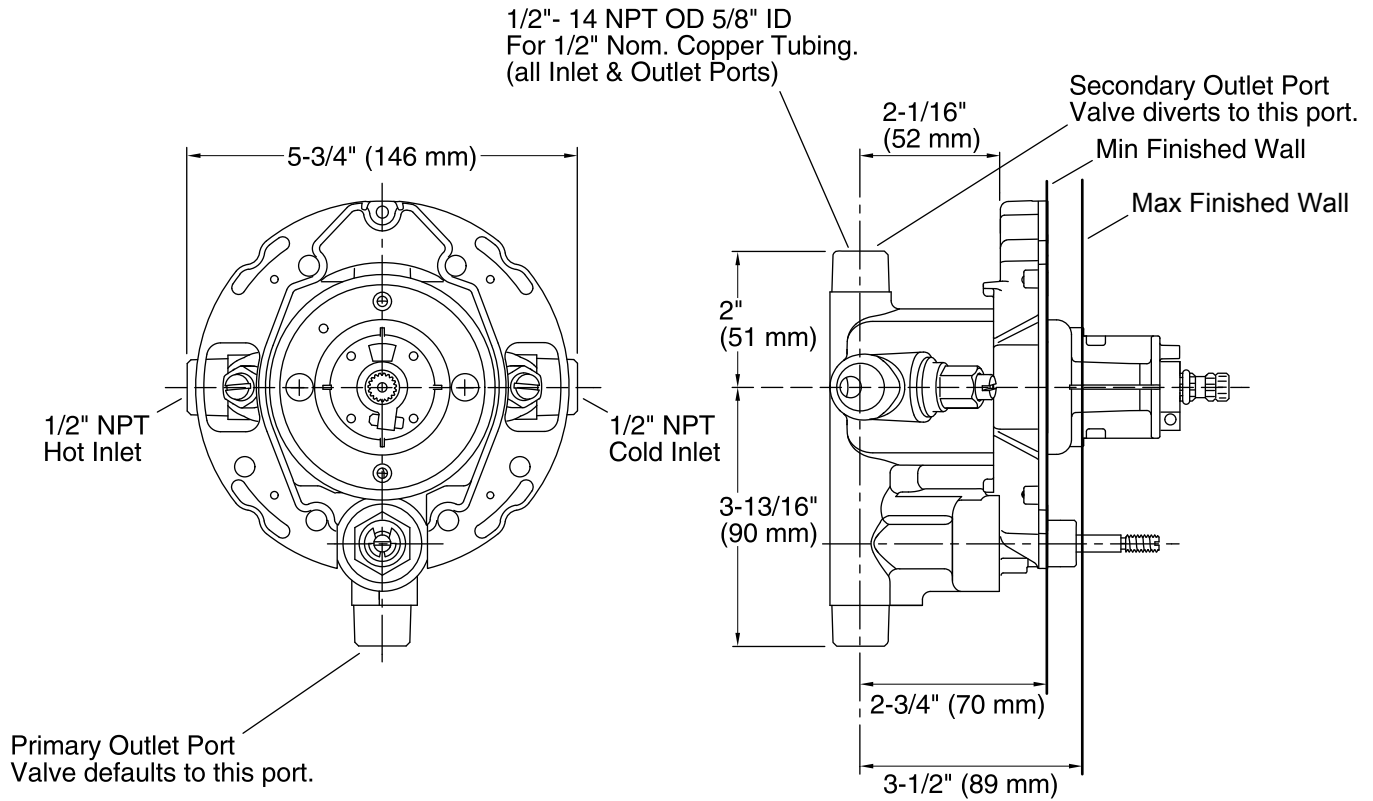


### Codes/Standards

ASME A112.18.1/CSA B125.1  
ASSE 1016/ASME A112.1016/CSA B125.16  
California Energy Commission (CEC)

### KOHLER® Faucet Lifetime Limited Warranty

See website for detailed warranty information.



**Technical Information**

All product dimensions are nominal.

**Notes**

Install this product according to the installation guide.