

Single Shank Mixing Faucets

TECK[®]
COMMERCIAL

DELTA[®]

Specification: (example)

- **CAST BRASS** single shank mixing sink faucet
- Two handle, polished chrome plated finish
- **CER-TECK[®]** 1/4 turn ceramic structures
- Metal hold-down package
- Anti-rotation, body mounted locking pins
- **BRASS** swing-spout or 3/8" IPS **BRASS PIPE** Rigid/Swivel Gooseneck Spout
- Color indexed metal handles with vandal resistant screws and ...
- with ... 4" forged **BRASS** coverplate (if applicable)
- with ... (add spout required)
- with ... (add outlet required)
- with ... (add handle required)
- with ... (add suffix **-LS** if required – See Back Page)

25C3847



25C4827



Engineer/Architect Approval










Model Specified:

Approval:

Date:

DESCRIPTION	PRODUCT NO.
Single Shank Mixing Faucet less Coverplate	25C3
Single Shank Mixing Faucet with 4" Coverplate	25C4



SPOUT		OUTLET		HANDLE	
0	<input type="checkbox"/>	0	<input type="checkbox"/>	0	<input type="checkbox"/>
1	<input type="checkbox"/>	1	<input type="checkbox"/>	1	Five Flute Handles  <input type="checkbox"/>
2	<input type="checkbox"/>	2	Vandal Resistant 1.5 GPM (5.7 L/min.) Laminar w/Antimicrobial By Agion [®]  <input type="checkbox"/>	2	<input type="checkbox"/>
3	<input type="checkbox"/>	3	Vandal Resistant 1.5 GPM (5.7 L/min.) Flow Control Aerator  <input type="checkbox"/>	3	<input type="checkbox"/>
4	<input type="checkbox"/>	4	Standard 1.5 GPM (5.7 L/min.) Flow Control Aerator  <input type="checkbox"/>	4	<input type="checkbox"/>
5	<input type="checkbox"/>	5	Vandal Resistant 0.5 GPM (1.9 L/min.) Flow Control Non-Aerating Spray Outlet  <input type="checkbox"/>	5	<input type="checkbox"/>
6	<input type="checkbox"/>	6	<input type="checkbox"/>	6	<input type="checkbox"/>
7	<input type="checkbox"/>	7	Smooth End, Laminar Flow Control in Base of Gooseneck Spout 1.0 GPM (3.8 L/min.)  <input type="checkbox"/>	7	63.5mm (2.5") Balanced Lever Handles  <input type="checkbox"/>
8	 <input type="checkbox"/>	8	<input type="checkbox"/>	8	<input type="checkbox"/>
9	 <input type="checkbox"/>	9	<input type="checkbox"/>	9	<input type="checkbox"/>

(1) Available **Optional Rigid/Swivel Spouts**. These spouts can **ONLY** be added to **SPOUT Option No. 9**.

Flow Rates are at 60 PSI.

Refer to www.specselect.com for individual models.

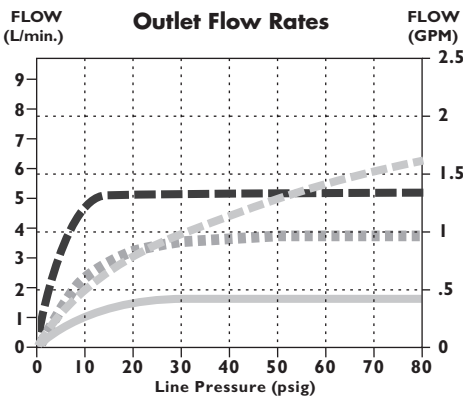
Note: Use this page front and back as a product submittal sheet.

Delta reserves the right (1) to make changes in specifications and materials, and (2) to change or discontinue models, both without notice or obligation. Dimensions are for reference only. See current full-line price book or www.specselect.com for finish options and product availability.

Approvals:

- CSA certified
- Complies to ASME A112.18.1/CSA B125.1
- Handle No. 7 meets ADA compliance to ICC/ANSI A117.1/ADA
- Verified compliant with 0.25% weighted average Pb content regulations

(Contact Delta Representative for State and/or Local Approvals.)

FLOW RATE vs PRESSURE

Spout Outlets

- No. 2 Laminar Flow Outlet
- No. 3 & 4 Aerator
- No. 5 Low Flow Outlet
- No. 7 Flow Control

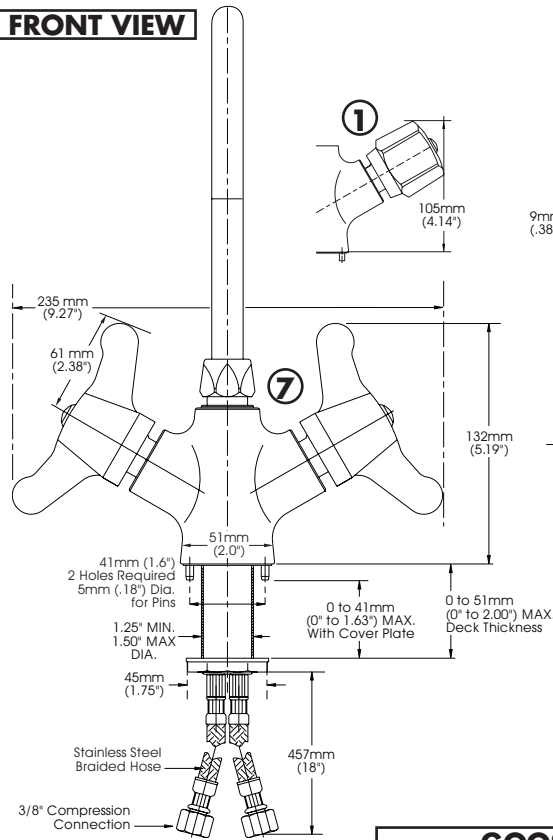
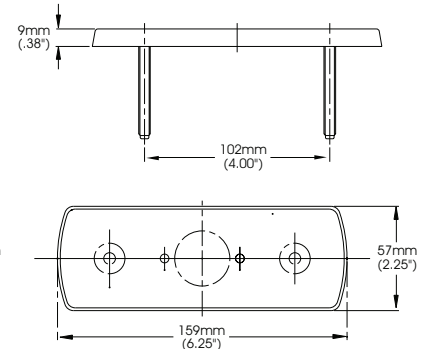
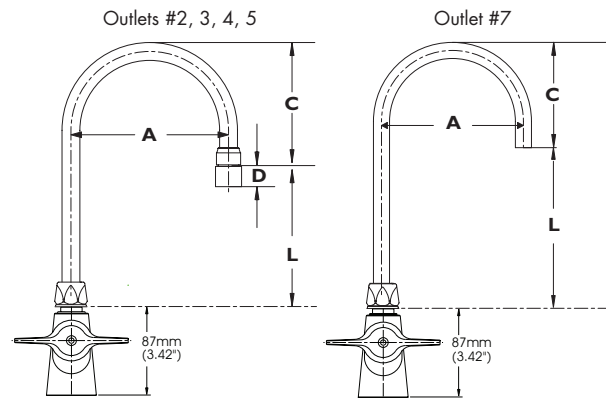
FOR OPTIONAL RIGID/SWIVEL & LIMITED SWING SPOUTS

See DSP-R/S for detailed specification

(Found in the "Add-On Option" section when using the printed spec binder)

LIMITED SWING GOOSENECK

- Add suffix "**-LS**" to Product Number for 120° Limited Swing

FRONT VIEW

COVERPLATE

GOOSENECK SPOUTS

GOOSENECK SPOUT ASSEMBLY #8

SPOUT/OUTLET	"A"		"C"		"L"	
	mm	in.	mm	in.	mm	in.
Gooseneck-Standard (R2) for outlets #2, 3, 4, 5	114	4.5	104	4.1	170	6.7
Gooseneck-Standard (R2) for outlet #7	114	4.5	97	3.8	178	7.0

GOOSENECK SPOUT ASSEMBLY #9

SPOUT/OUTLET	"A"		"C"		"L"	
	mm	in.	mm	in.	mm	in.
Gooseneck-Standard (R4) for outlets #2, 3, 4, 5	152	6	124	4.9	146	5.8
Gooseneck-Standard (R4) for outlet #7	152	6	117	4.6	152	6.0

OUTLET NO.	"D"	
	mm	in.
2	18	0.69
3	18	0.69
4	17	0.67
5	18	0.69

INLETS - 3/8" compression connection

Note: Measurements may vary ± 6mm (0.25")

Refer to www.specselect.com for individual models.

Note: Use this page front and back as a product submittal sheet.