

## 1-ABS Series



### Applications

- Utilizing a sealed, submersible pump with sump-type pick-up, the 1-ABS offers low on and off levels and is ideal for in-pan placement for condensate removal. An integrated, unique float switch design assures reliability and security while providing easy access to the float for servicing.

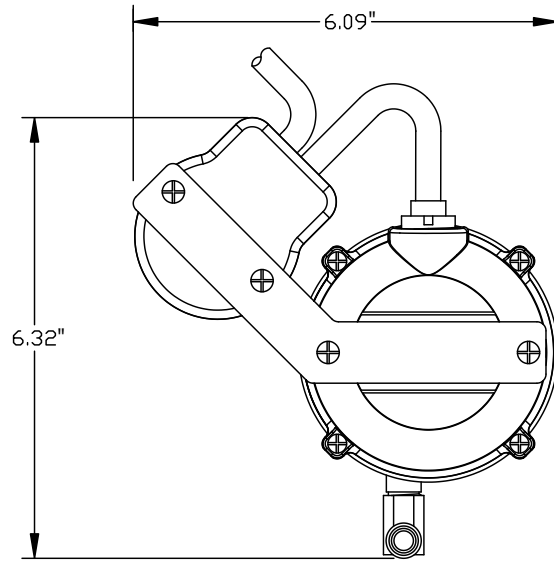
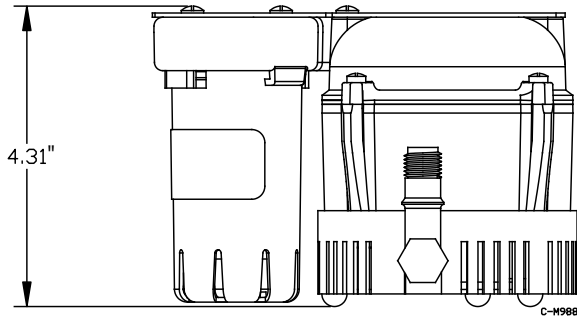
### Features

- Permanently lubricated motor bearings require no maintenance during life of pump
- Oil-filled to maximize heat dissipation
- Epoxy-coated cast aluminum pump housing
- Automatic on-off operation
- Easy to remove float housing for servicing
- Includes removable inlet filter screen
- Includes 90° 1/4" MNPT adapter (suitable for 1/2" I.D. vinyl tubing)
- Low on and off level – turns on at 1-3/4" and off at 1-1/4" – will operate in most standard condensate drain pans
- Includes 9 ft power cord with molded plug (115 V versions)
- Item 550522 includes tank

### Construction

Motor: 1/150 hp  
Discharge: 1/4" MNPT  
Housing: Epoxy-coated cast aluminum  
Cover: Epoxy-coated cast aluminum  
Volute: Nylon  
Impeller: Nylon  
Shaft Seal: Nitrile  
Screen: Polyethylene  
Switch Bracket: Stainless steel  
Switch: ABS

## Dimensional Outlines



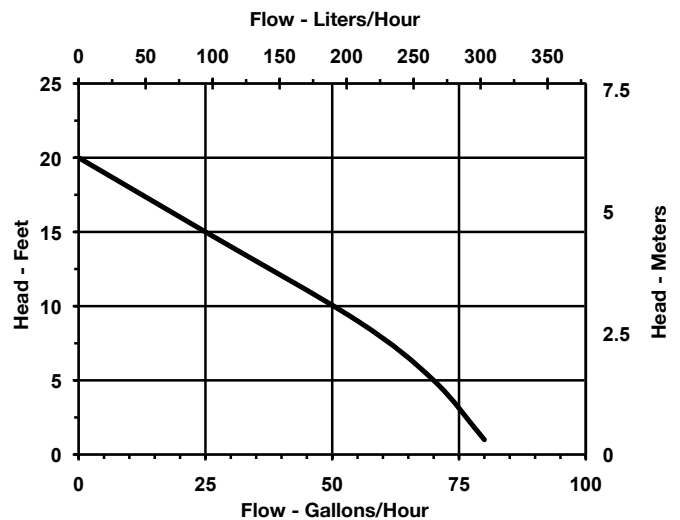
## Specifications

Item No.	Model No.	Discharge	HP	Volts	Hertz	Amps	Watts	Performance (GPH @ Head)			Shut Off	PSI	Power Cord	Weight
								1'	3'	5'				
550521	1-ABS	1/4"	1/150	115	60	1.1	70	205	180	145	10'	4.3	9'	4.11
550532	1-ABS	1/4"	1/150	230	50/60	0.6/0.5	70	205	180	145	10'	4.3	11'	4.31
550522	1-ABS with tank	1/4"	1/150	115	60	1.1	70	205	180	145	10'	4.3	9'	4.35

## Replacement Parts

Item	Part Number
Volute	116375
Impeller	116437
Seal Ring	928007
Screen	101376
Tank	150102 (for 550552 only)
Float Replacement	950060
Float Screen	950284

## Performance



Franklin Electric  
P.O. Box 12010  
Oklahoma City, OK 73157-2010  
Phone: 1.800.701.7894  
Fax: 1.800.678.7867  
www.LittleGiantPump.com