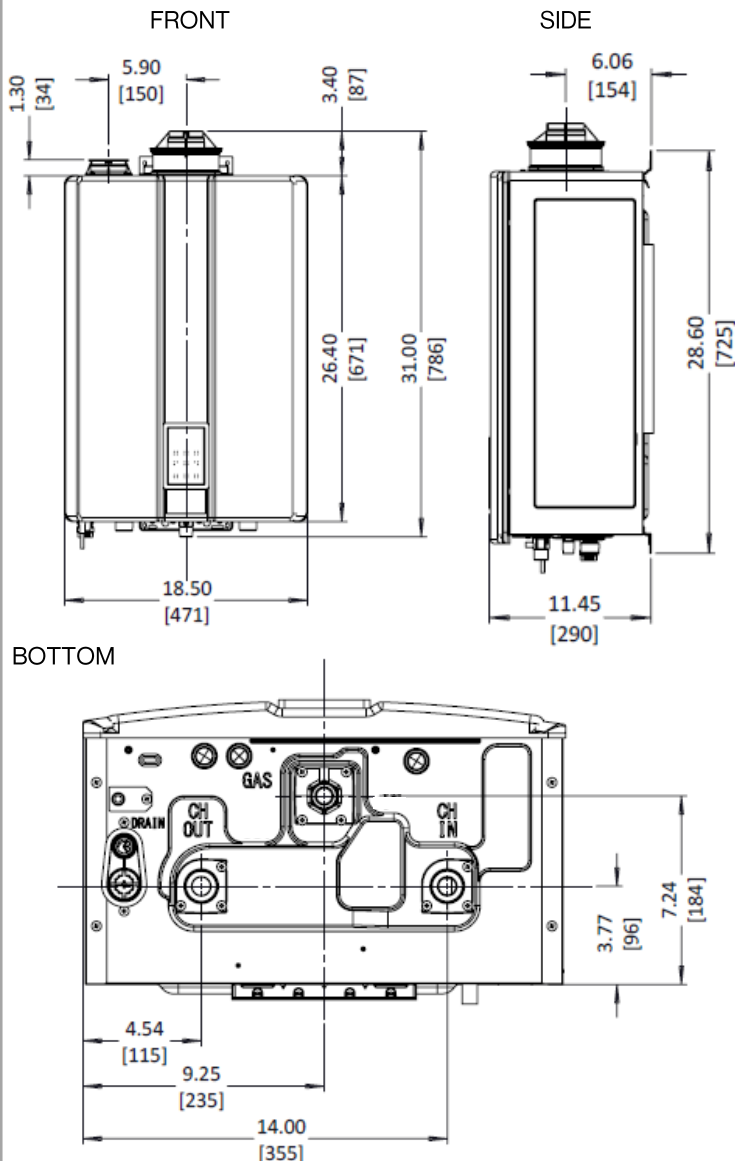




DIMENSIONS

Measurements: in. (mm)



CONDENSING WALL-MOUNTED, GAS-FIRED SOLO BOILER

Models	i060S, i090S, i120S, i150S
Appliance Type	Wall-Mounted, Gas-Fired Solo Boiler
Installation	Indoor
Gas Types	Natural Gas (or Propane with field conversion)
Standard Features	<ul style="list-style-type: none"> Outdoor Reset Control System with Sensor Modulating Wire Mesh Burner Stainless Steel Water Tube Condensing Heat Exchanger Direct Vent Sealed Combustion Approved for Room and Closet Installations

Included with Purchase	<ul style="list-style-type: none"> Condensing Gas Boiler Liquid Propane Field Conversion Kit Wall Mounting Bracket CH Pressure Relief Valve (30 PSI) Outdoor Temperature Sensor Vent Top with Integrated 2 in. PVC or 3 in. x 5 in. Concentric Vent Adapter Documentation: Installation and Operation Manual, User Manual
------------------------	------------------------------------------------------------------------------------------------------------------------------------------------------------------------------------------------------------------------------------------------------------------------------------------------------------------------------------------------------------------------------------------------

Optional Accessories	<ul style="list-style-type: none"> Primary-Secondary Heating Kit (PN: 0783907), Condensate Neutralizer, ScaleCutter, ScaleCutter Refill Cartridge, and Isolation Valve Kit
----------------------	-------------------------------------------------------------------------------------------------------------------------------------------------------------------------------------------

Venting Options	<ul style="list-style-type: none"> Direct Vent (Concentric and Twin Pipe) Room Air Ubbink Flex Vent Materials: Polypropylene, Stainless Steel, PVC, CPVC
-----------------	----------------------------------------------------------------------------------------------------------------------------------------------------------------------------------------------------

Refer to the "Rinnai I-Series Boiler Installation and Operation Manual" for approved venting.

Maximum Equivalent Vent Lengths

Concentric, Twin Pipe, and Room Air:

Vent Sizes	<ul style="list-style-type: none"> 2 in. PVC 2 in. (60 mm) PP 2 in. x 4 in. Concentric 	<ul style="list-style-type: none"> 3 in. PVC 3 in. (80 mm) PP 3 in. x 5 in. Concentric
Vent Lengths	65 ft (20 m)	150 ft (46 m)

Flex:

Vent Sizes	2 in. PP
Vent Lengths	50 ft (15 m)

45° elbow equivalent to 3 ft (1 m). 90° elbow equivalent to 6 ft (2 m).



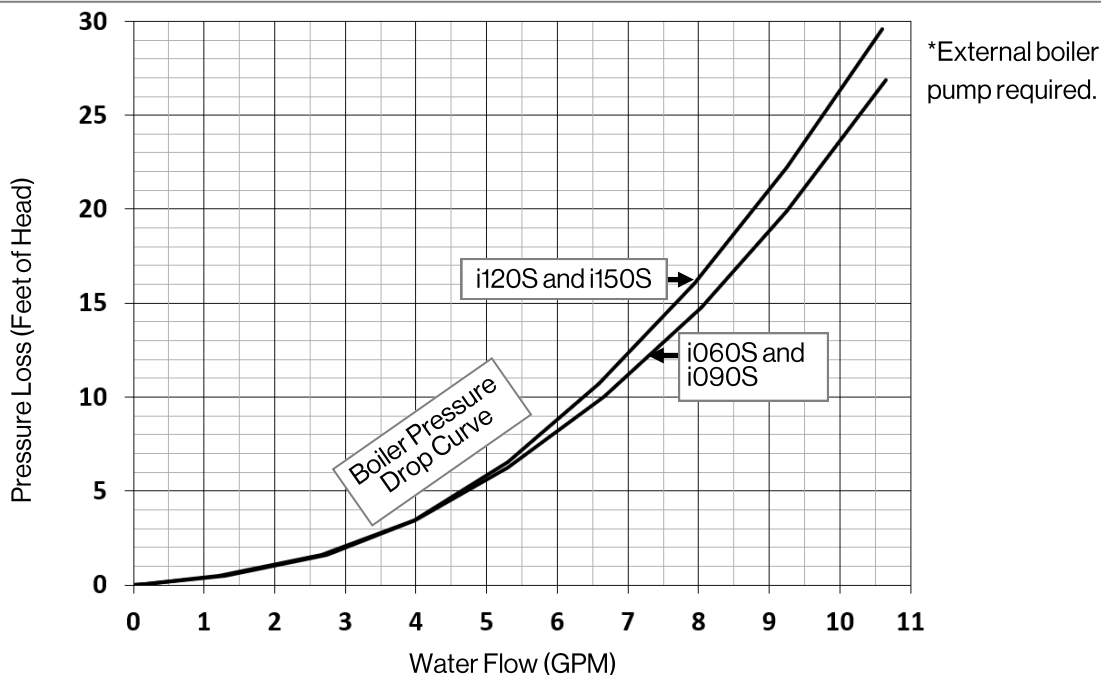
CERTIFIED TO ANSI Z21.13 – CSA 4.9

TECHNICAL SPECIFICATIONS

Model		i060S	i090S	i120S	i150S
Dimensions - w, h, d	Unit	18.5 in. x 26.4 in. x 10.9 in. (471 mm x 675 mm x 276 mm)			
	Shipping	21.7 in. x 33.5 in. x 14.6 in. (552 mm x 852 mm x 370 mm)			
Weight	Unit	59.2 lb (27 kg)		62.0 lb (28 kg)	
	Shipping	66.1 lb (30 kg)		68.3 lb (31 kg)	
Appliance Type		Wall-Mounted, Gas-Fired Solo Boiler			
Installation Type		Indoor			
Ignition System		Direct Electronic Ignition			
Heat Exchanger Surface Area		9.3 sq ft		10.9 sq ft	
Gas Consumption (Btu/hr)	Minimum	15,000			
	Maximum	60,000	90,000	120,000	150,000
Heating Capacity		57,000	84,000	112,000	138,000
Temperature Setting (CH)		(Min - Max) 104°F - 180°F (40°C - 82°C)			
Water Content		0.75 gal		0.88 gal	
Water Supply Pressure	CH	Minimum: 13 PSI (90 kPa) Maximum: 45 PSI (310 kPa) Recommended: 17 - 26 PSI (117 - 180 kPa)			
	Pressure Relief Valve	30 PSI (207 kPa)			
Sound Level		37 dB(A)	41 dB(A)	40 dB(A)	42 dB(A)
Electrical Data	Normal (CH)	36 W	50 W	50 W	50 W
	Standby	4 W			
	Max Current	6 Amps			
	Fuse	10 Amps x 2			
Turndown Ratio (TDR)		4.0:1	6.0:1	8.0:1	10.0:1
AFUE		95.1	95.9	95.5	96.0
Gas Supply Pressure ¹	Natural Gas	3.5 in. - 10.5 in. W.C. (0.87 - 2.61 kPa)			
	Propane	8.0 in. - 13.5 in. W.C. (1.99 - 3.36 kPa)			
Electric Connections		AC 120 Volts, 60 Hz			
Certifications		ANSI Z21.13, CSA 4.9, ASME			

¹ Maximum gas supply pressure must not exceed the value specified by the manufacturer.

PRESSURE DROP CURVE AND WATER FLOW CURVE



FEATURES

- **Faster, Easier Installation**
 - Compact & lightweight design
 - Convenient mounting bracket
 - NPT threads for connection points
 - More flexible venting options
 - Simplified parameters for commissioning and setup

■ Clearances

- Top: 2 in. (51 mm)*
- Bottom: 12 in. (305 mm)
- Front: 6 in. (152 mm)**
- Back: 0 in.
- Sides: 2 in. (51 mm)
- Vent: 0 in.

* 0 in. from vent components.
6 in. (152 mm) for closet installations.

** Clearance for servicing is 24 in. (610 mm) in front of boiler.

■ Warranty

Residential:

- Heat Exchanger: 12 Years
- All Other Parts/Components: 5 Years
- Labor: 1 Year

Commercial:

- Heat Exchanger: 5 Years
- All Other Parts/Components: 5 Years
- Labor: 1 Year

■ Important

- If the boiler is to be installed in a system that has multiple zones, a Closely Spaced Tee/Manifold Kit is recommended to be installed.

CH = Central Heating
PRV = Pressure Relief Valve