



**Dearborn®
Brass**

4675 W. 160th St.
Cleveland, Ohio 44135
Ph: (800) 321-9532
Fax: (800) 321-9535
www.dearbornbrass.com

SUBMITTAL SPECIFICATION

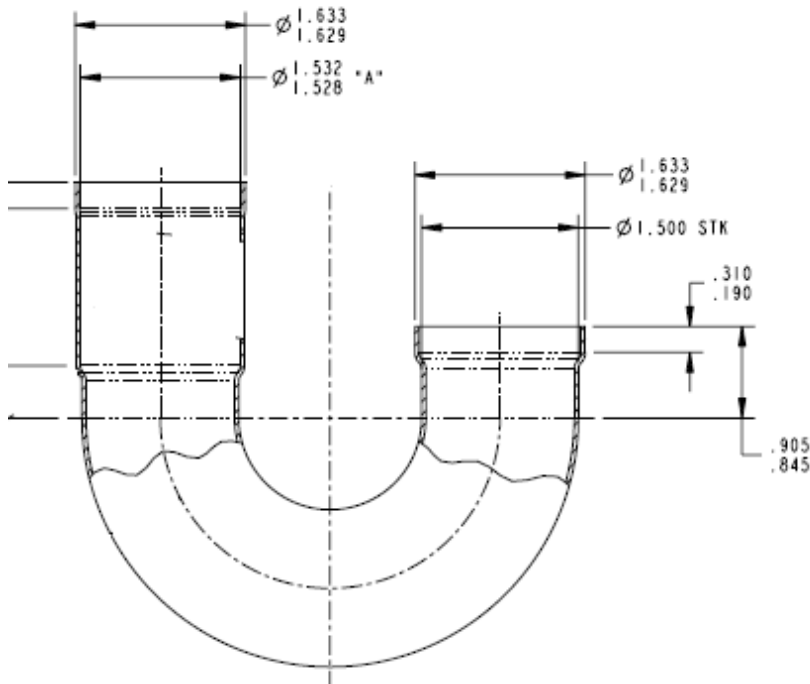
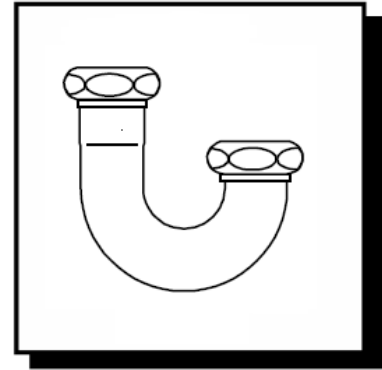
**BRASS TUBULAR
1-½" J-BENDS**

Engineering Specification: Dearborn Brass 1-½" Brass Tubular J-Bends are designed for use in tubular drain applications. Available in 17, 20 or Budget Gauge Brass.

Job Reference

DESCRIPTION

- Chrome Plated
- J-Bend
 - J-Bend
 - (2) Zinc Nuts
 - (2) Rubber Washers



✓	Product No.	Description	Carton Quantity	Carton Weight (lbs)
	2652-1	1-½" J-Bend – Budget Gauge	10	6
	651-1	1-½" J-Bend – 20 Gauge	10	6
	653-1	1-½" J-Bend – 17 Gauge	10	7

Data is subject to manufacturing tolerances.