

Lead Free Brass Ball Valve

**2 Piece • Full Port • Threaded Connection • Mini Valves •
600 WOG • Stainless Steel Ball and Stem**



100-397G 100-398G 100-399G 100-400G



100-397THG 100-398THG 100-399THG 100-400THG

T-83CG

Features

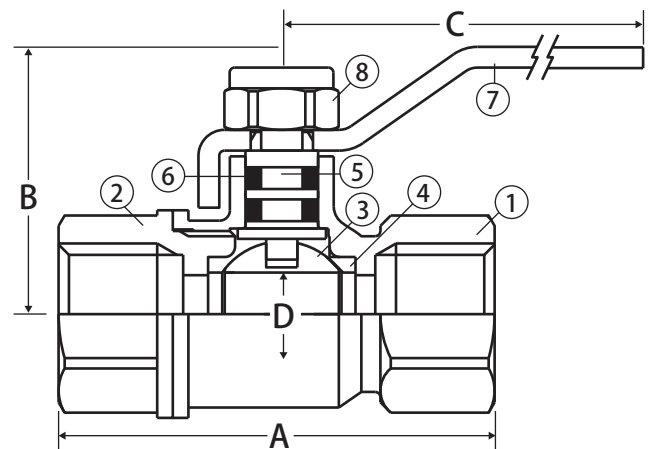
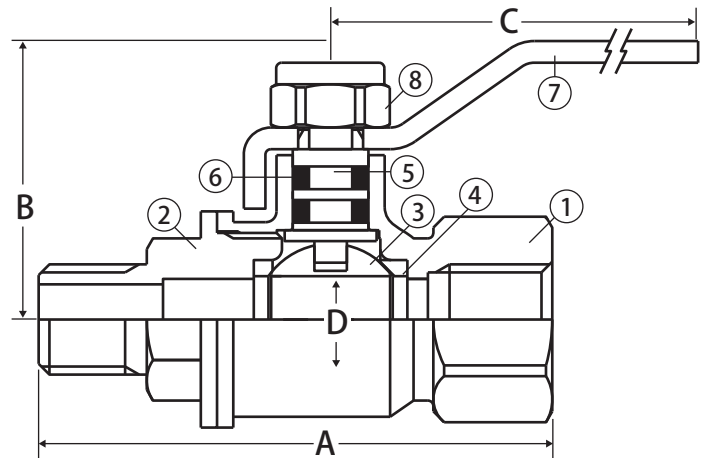
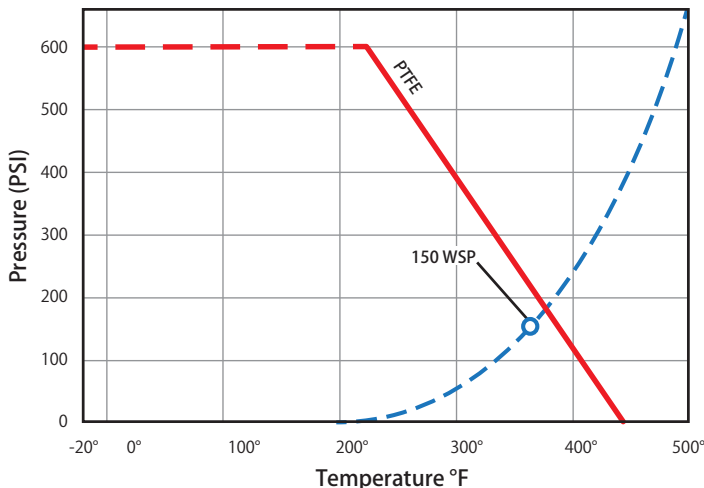
- Large raised wrench flats
- 100% leak tested
- Wetted surfaces contain less than .25% lead content

Approvals

- IAPMO Certified
 - NSF 61-8
 - NSF 372
 - Uniform Plumbing Code (cUPC)
 - IAPMO/ANSI Z1157-2014
 - NSF/ANSI 14-2014
- MSS SP-110
- ANSI B1.20.1

Valve Seat Rating

600 WOG - 150 WSP



Material Specifications

No.	Part	Materials
1	Body	Lead Free Brass - C46400
2	End Connection	Lead Free Brass - C46400
3	Ball	304 Stainless Steel
4	Seat (2)	PTFE
5	Stem	304 Stainless Steel
6	Stem O-ring (2)	Buna-N
7	Handle*	Steel - Chrome Plated or Aluminum
8	Handle Nut / Screw*	Steel - Chrome Plated

*Material depends on handle selection

Dimensions

Part No.	Size	A	B	C	D
100-397G	1/8" FIP x 1/8" MIP	1.90	1.07	1.77	0.28
100-398G	1/4" FIP x 1/8" MIP	1.93	1.07	1.77	0.28
100-399G	1/4" FIP x 1/4" MIP	2.01	1.07	1.77	0.28
100-400G	1/4" FIP x 1/4" FIP	1.65	1.07	1.77	0.28

T-Handle

100-397THG	1/8" FIP x 1/8" MIP	1.90	1.10	1.33	0.28
100-398THG	1/4" FIP x 1/8" MIP	1.93	1.10	1.33	0.28
100-399THG	1/4" FIP x 1/4" MIP	2.01	1.10	1.33	0.28
100-400THG	1/4" FIP x 1/4" FIP	1.65	1.10	1.33	0.28