

For Residential and Commercial Applications

Job Name		Engineer / Architect	
Job Location		Wholesaler	
Submittal Date		Contractor	

BRPX19X Multi-Turn Angle Stop – Barbed PEX x Compression

Use: For use in potable water distribution systems in accessible locations only. Not intended for recirculating water systems that produce continuous use temperatures above 115° F. For those applications, use our KT™ series ball stop.

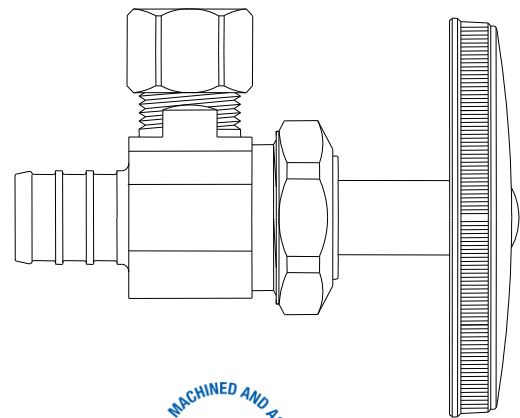
Design Features:

- **Machined one-piece brass body** provides strength, durability, and long-lasting performance
- **Knurled oval handle** provides a secure grip and smooth on/off operation
- **Easy-to-remove handle** with screw attachment helps protect against accidental stop operation during rough-ins
- **PEX end** designed to ASTM F1807
- **For use with** ASTM F876 PEX tubing, in ASTM F877 water distribution systems using ASTM F1807



Operating Specifications:

Temperature: 40° - 140° F
Pressure: 125 PSI maximum



STOP MATERIAL SPECIFICATIONS	
Body	<i>Brass, plated</i>
Stem	<i>POM</i>
Bib & Packing Washer	<i>Rubber</i>
Packing Nut	<i>Brass or brass, plated</i>
Handle	<i>Polycarbonate</i>
Handle Screw	<i>Steel, plated</i>
Plastic Sleeve	<i>Plastic</i>
Compression Nut	<i>Brass, plated</i>
Compression Sleeve	<i>Brass</i>
Loose Key	<i>Zinc die cast</i>
Lock Shield	<i>Brass, plated</i>
Loose Key Stem	<i>Brass, plated</i>

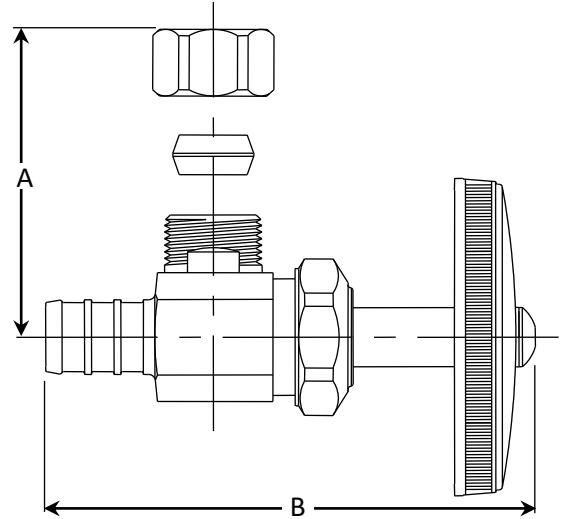
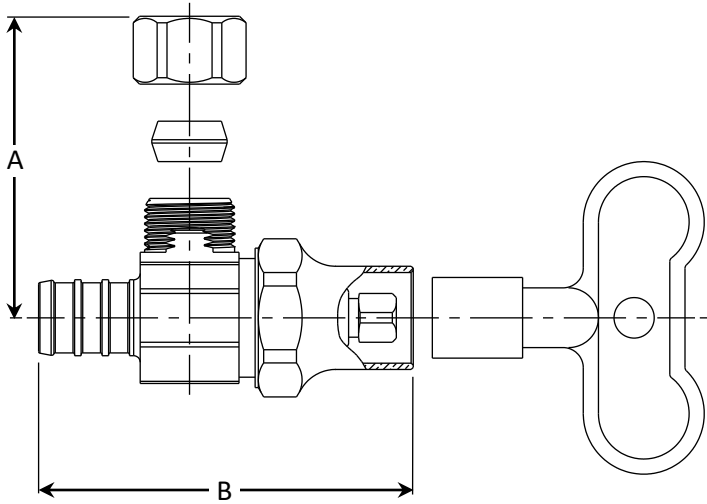
Part Listing:

- BRPX19X C 1/2" nom crimp barb (for PEX) x 3/8" OD compression, chrome
- BRPX19X R 1/2" nom crimp barb (for PEX) x 3/8" OD compression, rough brass
- SBRPX19X C 1/2" nom crimp barb (for PEX) x 3/8" OD compression, loose key, chrome

This specification and all information contained herein is the confidential and exclusive property of Brasscraft Manufacturing Company and shall not be disclosed to others without the written consent of Brasscraft Mfg. Co. This specification must be returned to Brasscraft Mfg. Co. if requested.

BRPX19X Multi-Turn Angle Stop – Barbed PEX x Compression

PART DIMENSIONS (Inches)		
Model	DIM A	DIM B
BRPX19X	1.06	2.79
SBRPX19X	1.06	2.32



Listings & Certifications:

- IAPMO listed to ASME A112.18.1 / CSA B125.1 (includes NSF/ANSI372 & NSF61)



This specification and all information contained herein is the confidential and exclusive property of Brasscraft Manufacturing Company and shall not be disclosed to others without the written consent of Brasscraft Mfg. Co. This specification must be returned to Brasscraft Mfg. Co. if requested.