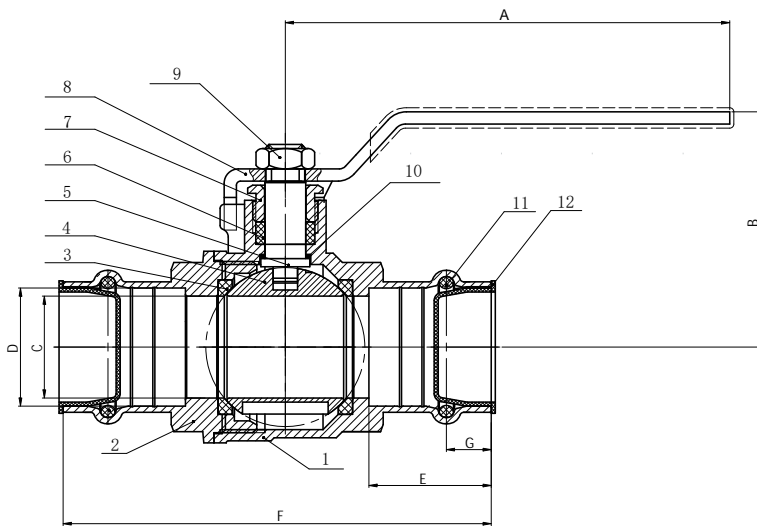


Features

- Two-Piece Body
- Full Port
- Blowout-Proof Stem
- Adjustable Packing Nut
- PTFE Seats
- Lever Handle
- Lead Free & Dezincification Resistant Material
- 250 PSI CWP
- Temperature Range: 0°F - 250°F (-18°C - 121°C)
- IAPMO Listed to cUPC, NSF/ANSI 61& NSF/ANSI 372
- Size : 1/2" – 2"



Materials



Item	Part Name	Material	PCS
1	Body	C46500 LF Brass	1
2	End Cap	C46500 LF Brass	1
3	Ball Seat	PTFE	2
4	Ball	SS304	1
5	Stem	C37700 Brass	1
6	Packing Gland	PTFE	1
7	Packing Nut	C37700 Brass	1
8	Lever Handle	Steel	1
9	Nut	Steel	1
10	Gasket	PTFE	1
11	O-ring	EPDM	2
12	Plastic Cover	PE	2

Dimension															
Product#	Size	A		B		C Ø		D		E		F		G	
	In.	In.	mm.	In.	mm.	In.	mm.	In.	mm.	In.	mm.	In.	mm.	In.	mm.
4PRO12LFPRESSBV	1/2"	3.70	94	1.64	41.7	0.57	14.5	0.64	16.27	1.10	28	3.41	86.5	0.43	11
4PRO34LFPRESSBV	3/4"	3.70	94	1.86	47.3	0.75	19	0.89	22.55	1.18	30	3.85	97.8	0.43	11
4PRO1LFPRESSBV	1"	4.29	109	2.27	57.7	0.98	25	1.14	28.97	1.18	30	4.13	105	0.43	11
4PRO114LFPRESSBV	1-1/4"	5.12	130	2.87	73	1.26	32	1.39	35.32	1.18	30	4.59	116.7	0.43	11
4PRO112LFPRESSBV	1-1/2"	5.12	130	3.09	78.4	1.57	40	1.64	41.67	1.38	35	5.18	131.5	0.51	13
4PRO2LFPRESSBV	2"	6.50	165	3.61	91.7	1.97	50	2.14	54.37	1.57	40	6.04	153.5	0.63	16