

Features

- Brass construction.
- Single handle wall-mounting.
- One-piece self-contained ceramic disc valve allows both volume and temperature control.
- Temperature memory allowing faucet to be turned on and off at any temperature setting.
- High-temperature limit stop.



Codes/Standards

ASME A112.18.1/CSA B125.1

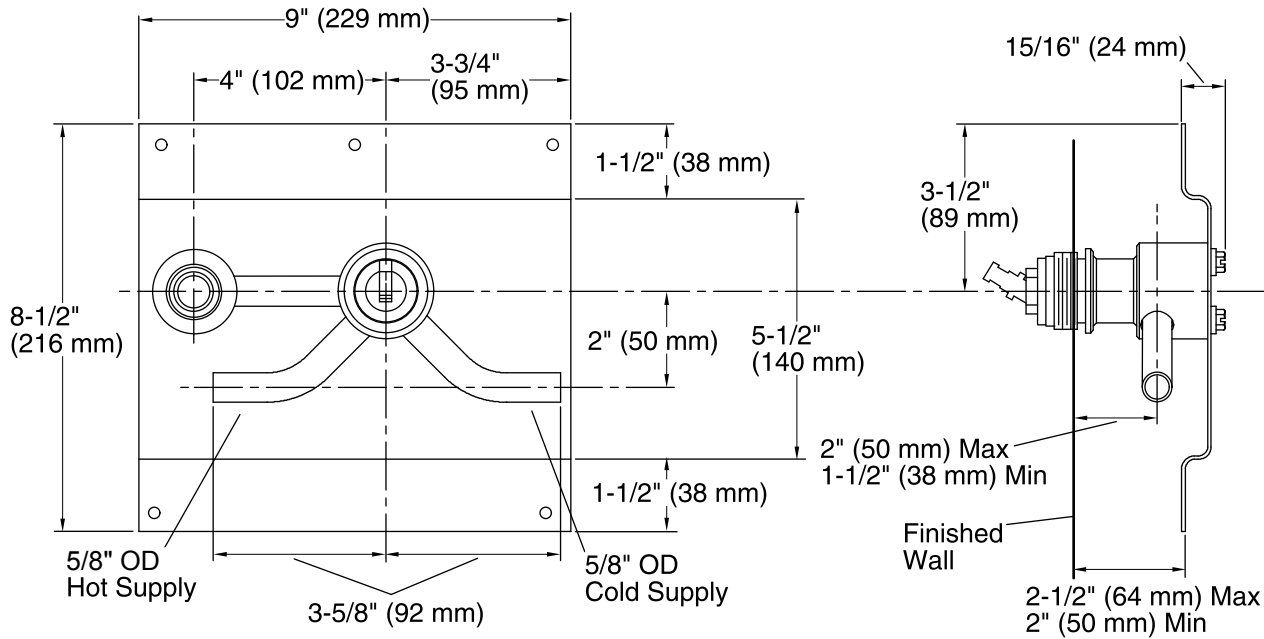
NSF 61

NSF 372

All applicable US Federal and State material regulations

KOHLER® Faucet Lifetime Limited Warranty

See website for detailed warranty information.



Technical Information

All product dimensions are nominal.

Faucet:

Flow rate: 2.2 gal/min (8.3 l/min)

Pressure: 60 psi (4.1 bar)

Notes

Install this product according to the installation guide.

Follow the installation dimensions precisely as there is no deep roughing-in kit available for this product.

WARNING: Risk of property damage. For exterior wall installations, ensure proper wall insulation to prevent frozen pipes.