



Self-Close Single Handle Basin Faucet

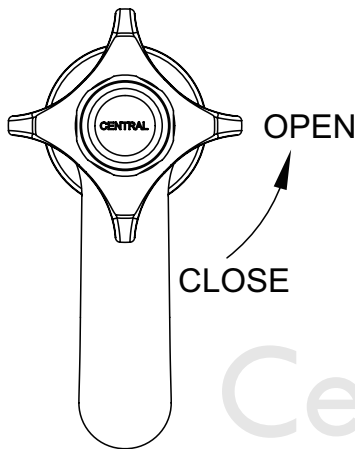
- Plain End
- Replaceable Seat
- 1-Hole Installation

Code and Standards

- ASME A112.18.1-2018/CSA B125.1-18
- NSF/ANSI/CAN 61
- Compliance with AB1953/S152/HB372
- NSF/ANSI 372



*For other finishes and flow rates offered, please visit our website, email an inquiry to sales@pioneerind.com or contact our sales at 800-338-9468



Central Brass
 COMPANY

