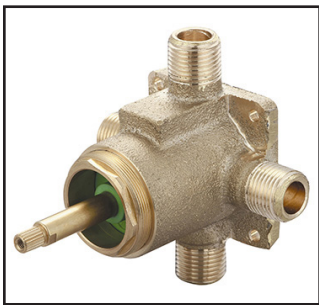




Pioneer Faucets
STYLE THAT WORKS

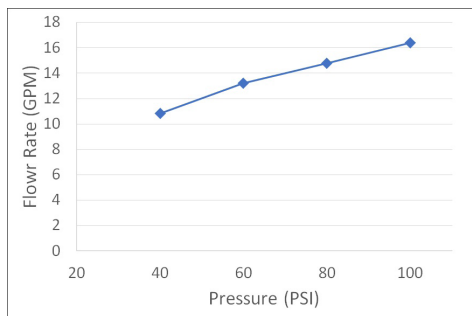
4100B
Valve Series



Single Handle Diverter Valve Set

- Combo CXC and IPS Connections
- Three Way Diverter Valve
- Ceramic Disc Cartridge

4100B Flow Rate (GPM) Vs Pressure (PSI) For Tub Port*



*Note: This information is provided for reference only. Actual Flow Rate may vary depending on installation and inlet pressures.

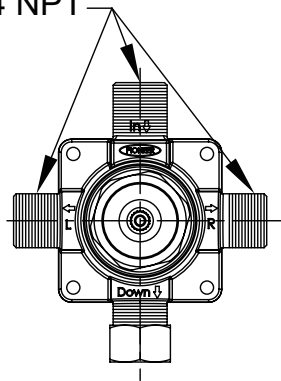


Pioneer products are engineered and manufactured to meet the following standards and codes :
ASME A112.18.1-2018/CSA B125.1-18
IAPMO LISTED

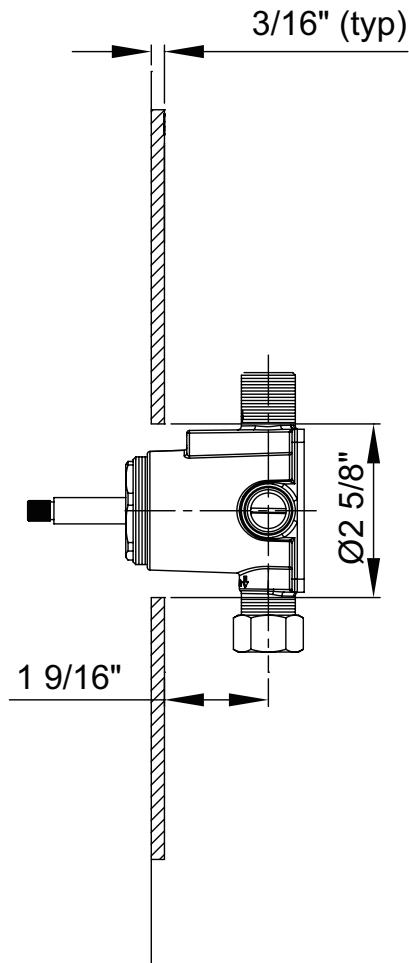
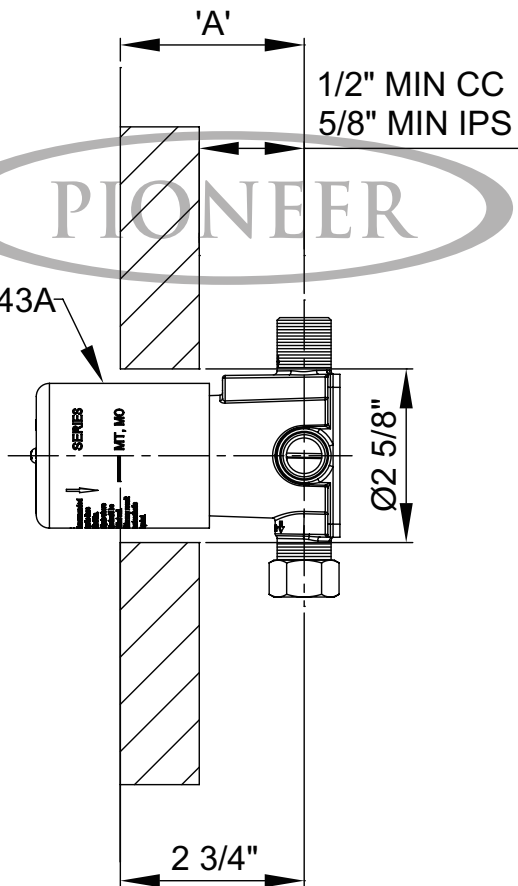
Note: Cartridge operational at pressures 20 PSI to 100 PSI.

Series	'A'
6MT101T	2 3/4"
6MO101T	2 3/4"

1/2-14 NPT



1997343A



THICK WALL

THIN WALL