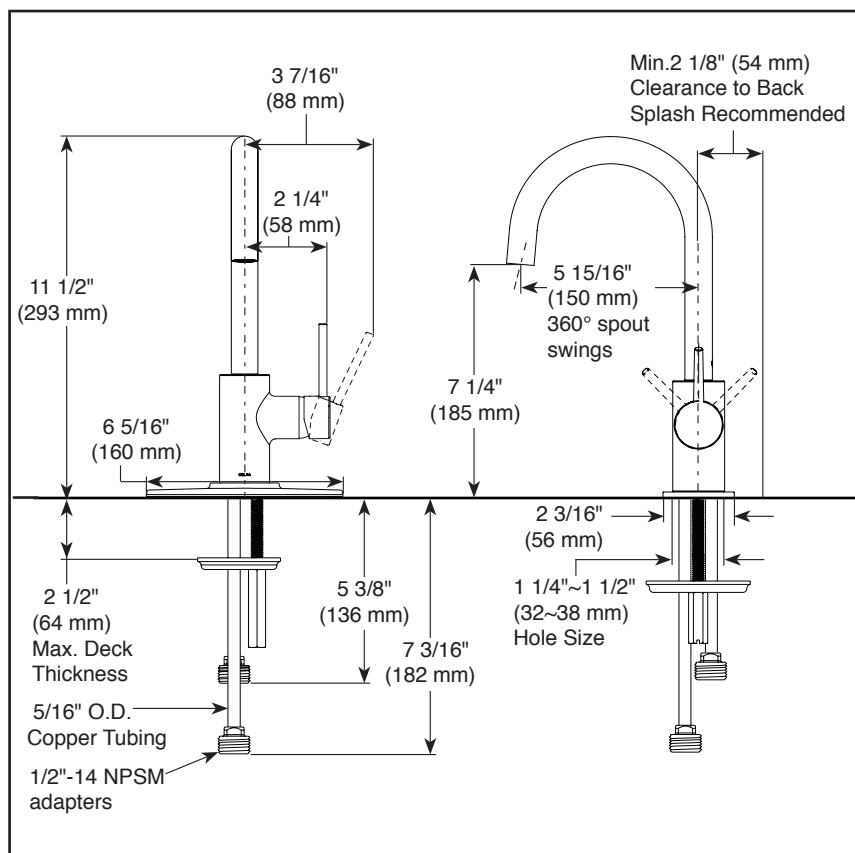


1959LF ▲  
with Escutcheon

1959LF ▲

Submitted Model No.: \_\_\_\_\_

Specific Features: \_\_\_\_\_



▲ Designate proper finish suffix



## BAR & PREP SINK FAUCETS

- Contemporary
- Single Handle Deck Mount
- 1 or 3 Hole 4" Installation

### STANDARD SPECIFICATIONS:

- Solid brass fabricated body.
- 360° Rotating spout.
- Hot/Cold logo on handle to indicate temperature.
- Ceramic disc carriage.
- 2 1/2" max deck thickness.
- 5/16" Staggered copper supply lines with 1/2" adapters.
- ADA compliant lever handle.
- Order RP77702 for optional escutcheon .
- Order RP1001 for coordinating soap dispenser.
- Maximum flow rate 1.5 gpm @ 60 psi.

### WARRANTY

- Lifetime limited warranty on parts (other than electronic parts and batteries) and finishes; or, for commercial users, for 5 years from the date of purchase.

### COMPLIES WITH

- ASME A12.18.1 / CSA B125.1

 Indicates compliance to ICC/ANSI A117.1

Verified compliant with 0.25% weighted average Pb content regulations

Delta reserves the right (1) to make changes in specifications and materials, and (2) to change or discontinue models, both without notice or obligation. Dimensions are for reference only. See current full-line price book or [www.deltafaucet.com](http://www.deltafaucet.com) for finish options and product availability.

