

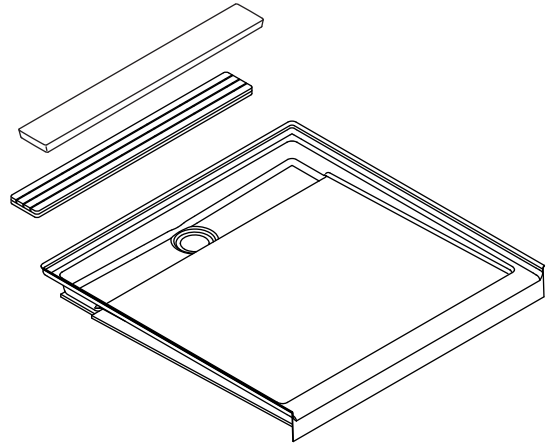
Features

- Acrylic
- For alcove installations
- One-piece construction
- Removable drain cover
- Drain hole at rear
- 42" (1067 mm) x 42" (1067 mm) x 4-5/16" (110 mm)

ACRYLIC SHOWER BASE

K-9997

ALSO K-9331, K-9335



Codes/Standards Applicable

Specified model meets or exceeds the following:

- CSA B45.5/IAPMO Z124

Colors/Finishes

- 0: White
- Other: Refer to Price Book for additional colors/finishes

Accessories

- CP: Polished Chrome
- PB: Vibrant® Polished Brass
- SH: Bright Silver
- NA: None applicable
- Other: Refer to Price Book for additional colors/finishes

Specified Model

Model	Description	Colors/Finishes		
K-9997	42" (1067 mm) shower base	<input type="checkbox"/> 0	<input type="checkbox"/> Other_____	
Required Accessories				
K-9331	Aluminum drain cover OR	<input type="checkbox"/> SH		
K-9335	Teak drain cover	<input type="checkbox"/> NA		
Recommended Accessories				
K-9132	Drain	<input type="checkbox"/> CP	<input type="checkbox"/> PB	<input type="checkbox"/> Other_____
Optional Accessories				
Refer to the Fixtures Price Book for shower door selections, glass options, and color information.				

Product Specification

The acrylic shower base with removable drain cover shall be 42" (1067 mm) in length, 42" (1067 mm) in width, and 4-5/16" (110 mm) in height. Shower base shall be for alcove installations. Shower base shall be one-piece configuration with drain hole at rear. Shower base shall be Kohler Model K-9997-_____.

GROOVE™

Technical Information

Fixture*:	
Weight	52 lbs (23.6 kg)
Configuration	one-piece
Drain hole	Ø 3-3/8" (86 mm)
* Approximate measurements for comparison only.	

Installation Notes

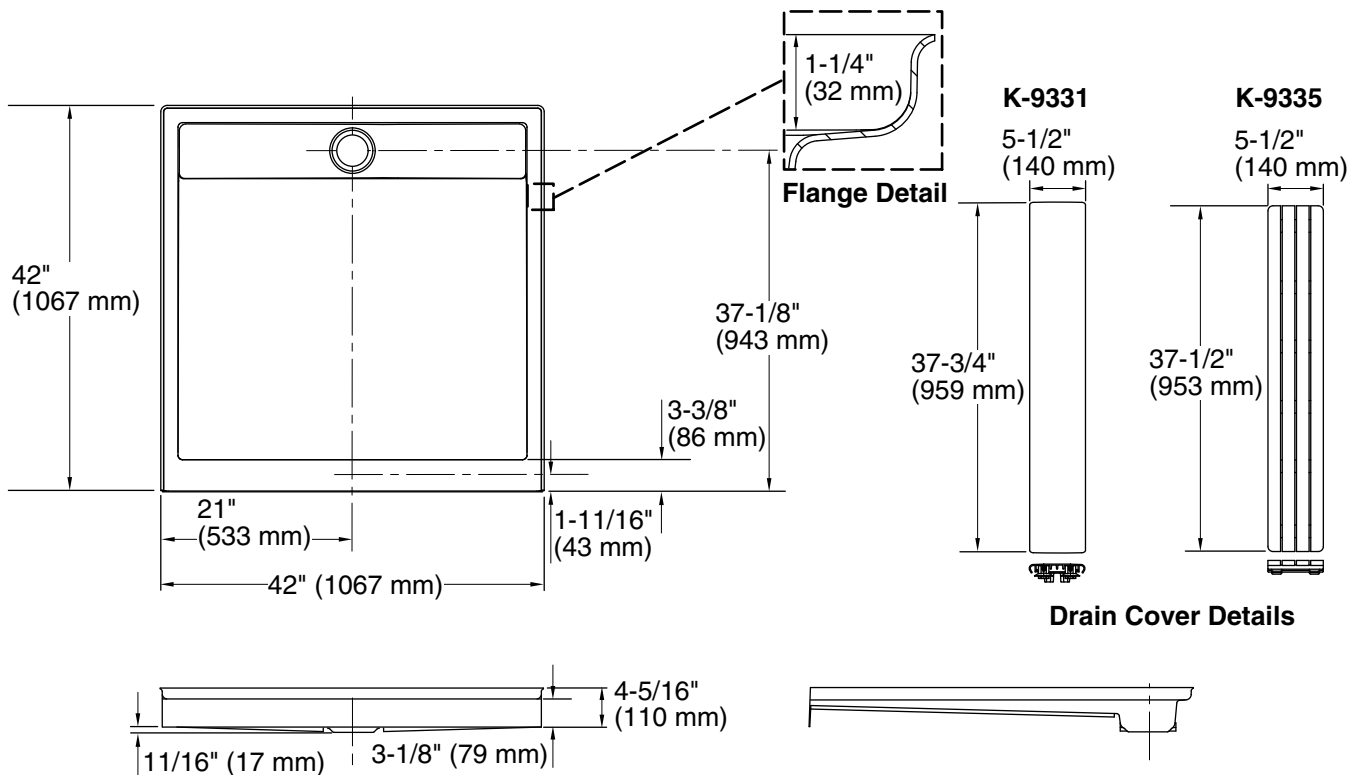
Install this product according to the installation guide.

Shimming may be required to level the fixture.

Shimming may be required between the stud frame and the fixture.

The stud opening tolerance is +1/4" (6 mm), -0" (0 mm).

When fire rated construction is specified, dimensions are to the inside of the fire-rated wall.



Product Diagram