

## NIBCO® Press System Butterfly Valves

Ductile Iron Body • Extended Neck • Geometric Drive  
Molded-In Seat Liner • Lug Style with Press x Press Female Ends

**200 psi/13.8 bar non-shock cold working pressure**  
**250°F maximum operating temperature**

CONFORMS TO MSS-SP67 • MSS-SP25 • API-609 •  
NSF/ANSI-8 COMMERCIAL HOT 180°F (INCLUDES  
ANNEX F AND G) AND NSF/ANSI-372

### MATERIAL LIST

PART	SPECIFICATION
1. Stem	Stainless Steel ASTM A 582 Type 416
2. Collar Bushing	Brass ASTM B 124
3. Stem Seal	EPDM Rubber
4. Body Seal	EPDM Rubber
5. Nameplate	Aluminum
6. Upper Bushing	Wrot Copper ASTM B 75 Alloy C12200
7. Liner	EPDM Rubber
8. Disc	Alum. Brz. ASTM B 148 Alloy 954/955
9. Lower Bushing	Wrot Copper ASTM B 75 Alloy C12200
10. Body Lug	Ductile Iron ASTM A 536
11. Flange Body (2)	Carbon Steel
12. Flange Gasket (2)	EPDM
13. Flange Press Ends (2)	Wrot Copper ASTM B 75 Alloy C12200
14. O-Ring (2)	EPDM
15. Cap Screws	Carbon Steel

Available with lock lever handle or gear operator.

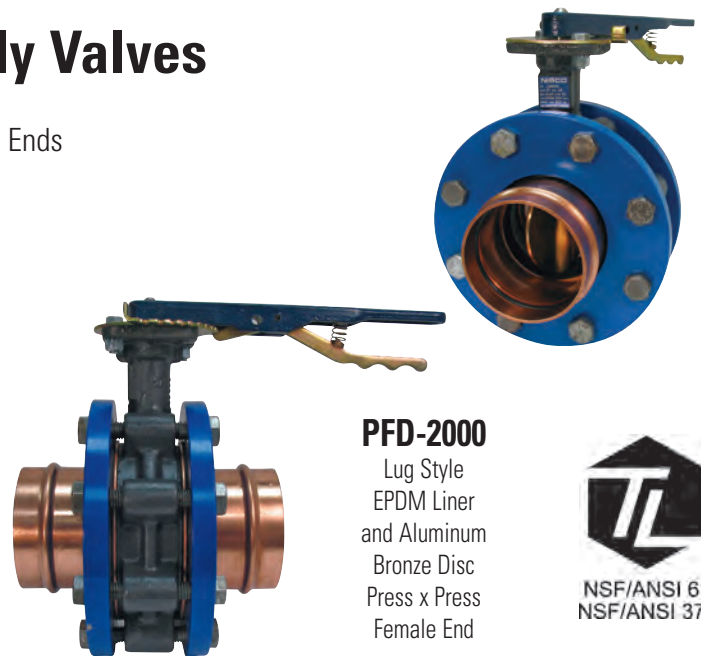
### DIMENSIONS — WEIGHTS

Size	A	B	C	D	E	F	G Flat	Metal H	Rubber I	
2½	65	2.90	4.69	1.25	5.88	3.27	.38	.370	1.812	1.938
3	80	3.15	5.12	1.25	6.12	3.40	.38	.370	1.812	1.938
4	100	4.09	6.12	1.25	6.88	4.00	.38	.403	2.062	2.188

Size	J	N	O	P	R	S	Lug Length	Total Weight Lbs.	Total Weight Kg.	
2½	65	3.25	.562	3.25	.437	.500	3.13	Refer to page 65 for bolt lengths	24.00	10.88
3	80	3.25	.562	3.25	.437	.500	3.44		26.00	11.78
4	100	3.25	.625	3.25	.437	.562	4.00		38.00	17.23

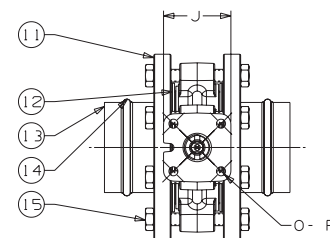
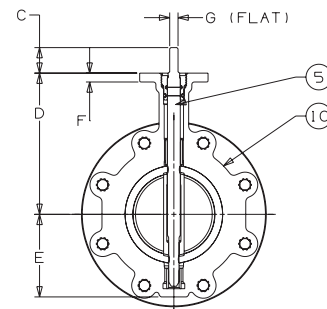
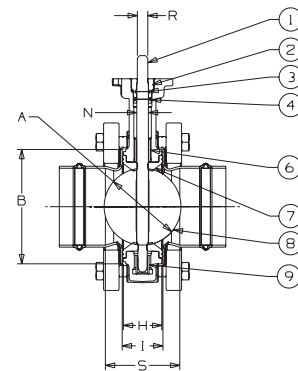
NIBCO Press System butterfly valves are designed to meet MSS SP-67 with the exception of the end connection. Male and female press-to-connect ends are new technology not yet covered in the current edition of this specification.

**⚠ WARNING:** This product can expose you to chemicals including lead, which is known to the State of California to cause cancer and birth defects or other reproductive harm. For more information go to [www.P65Warnings.ca.gov](http://www.P65Warnings.ca.gov).



### PFD-2000

Lug Style  
EPDM Liner  
and Aluminum  
Bronze Disc  
Press x Press  
Female End



NOT RECOMMENDED  
FOR STEAM SERVICE

Visit our website for the most current information.