

ELKAY®

SPECIFICATIONS

Harmony Hospitality Sink Model BLGR1515

GENERAL

Highest quality Lustertone single bowl is seamlessly drawn of #18 (1.2mm) gauge, type 304 (18-8) nickel bearing stainless steel. Top Mount.

DESIGN FEATURES

Bowl Depth: 6-1/2" (165mm).

Finish: Exposed surfaces are hand polished to a Lustrous Highlighted Satin finish.

Underside: Fully protected by Sound Guard® undercoating to reduce condensation and dampen sound.

OTHER

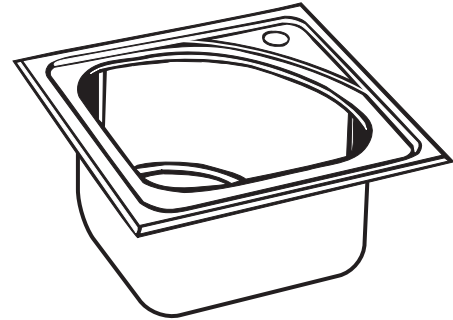
Drain Opening: 2" (51mm).

NOTE: Available with one faucet hole only.

Sink complies with ASME A112.19.3-2008 / CSA B45.4-08



These sinks are listed by the International Association of Plumbing and Mechanical Officials as meeting the requirements of the Uniform Plumbing Code.



Model BLGR1515

OPTIONAL ACCESSORIES

BottomGrid: LKWOBG1111SS

Drain: LK36

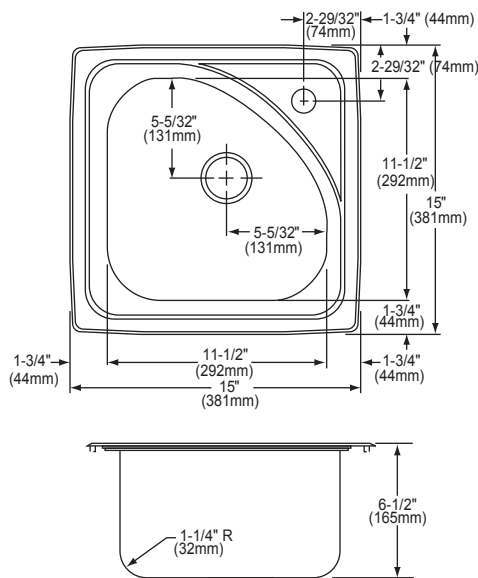
Rinsing Basket: LKWWRB1111SS

Utensil Caddy for Rinsing Basket: LKWUCSS

SINK DIMENSIONS*

Model Number	Overall		Inside Bowl			Cutout in Countertop 1-1/2" (38mm) Radius Corners		No. of 1 1/4" Dia. Faucet Holes	Minimum Cabinet Size
	L	W	L	W	D	L	W		
BLGR1515	15 (381mm)	15 (381mm)	11 1/2 (292mm)	11 1/2 (292mm)	6 1/2 (165mm)	14 3/8 (365mm)	14 3/8 (365mm)	1	18 (457mm)

*Length is left to right. Width is front to back.



Model BLGR1515 Illustrated



In keeping with our policy of continuing product improvement, Elkay reserves the right to change product specifications without notice. Please visit elkayusa.com for most current version of Elkay product specification sheets.

This specification describes an Elkay product with design, quality, and functional benefits to the user. When making a comparison of others producers offerings, be certain these features are not overlooked.