



see what Delta can do™

STEAM GENERATOR PACKAGE

- 4KW (5P-EST04)
- 6KW (5P-EST06)
- 7.5KW (5P-EST07)
- 10KW (5P-EST10)

GENERATOR FEATURES:

- Microprocessor based diagnostics and LED indication
- Stainless Steel tank construction

CONTROL FEATURES:

- Preset time and programmable temperature
- Digital display of ambient and set temperature

GENERATOR STANDARD SPECIFICATIONS:

- Water Supply - 3/8" Compression Fitting, 120 PSI max
- Steam Outlet - 3/4" Brass NPT male thread
- Pressure Relief Valve - 3/4" NPT female thread
- Drain Outlet - Capped 1/2" Brass NPT male thread
- Supplied with a 35' control cord
- Generator shipped weight - 30 lbs
- Steam Generators should be accessible for service.
- Steamhead to be mounted 12" to 18" above floor or 6" above rim of tub and as far from the seating area as possible. Do not locate below the user control.
- Required Equipment - EP103350 control and steam head
- Required Electrical Service - Dedicated circuit required: See Specification Chart for proper electrical requirements.

STEAMHEAD STANDARD SPECIFICATIONS:

- Includes 3/4" NPT female thread for connection to steam line
- Steam line should protrude 1/4" to 1/2" from finished surface
- Steam head should be mounted 12" - 18" above the finished floor or 6" above the rim of the tub. The mounting location must also not be directly beneath the control and should be as far from the seating area as possible.
- Includes silicone cover

CONTROL STANDARD SPECIFICATIONS:

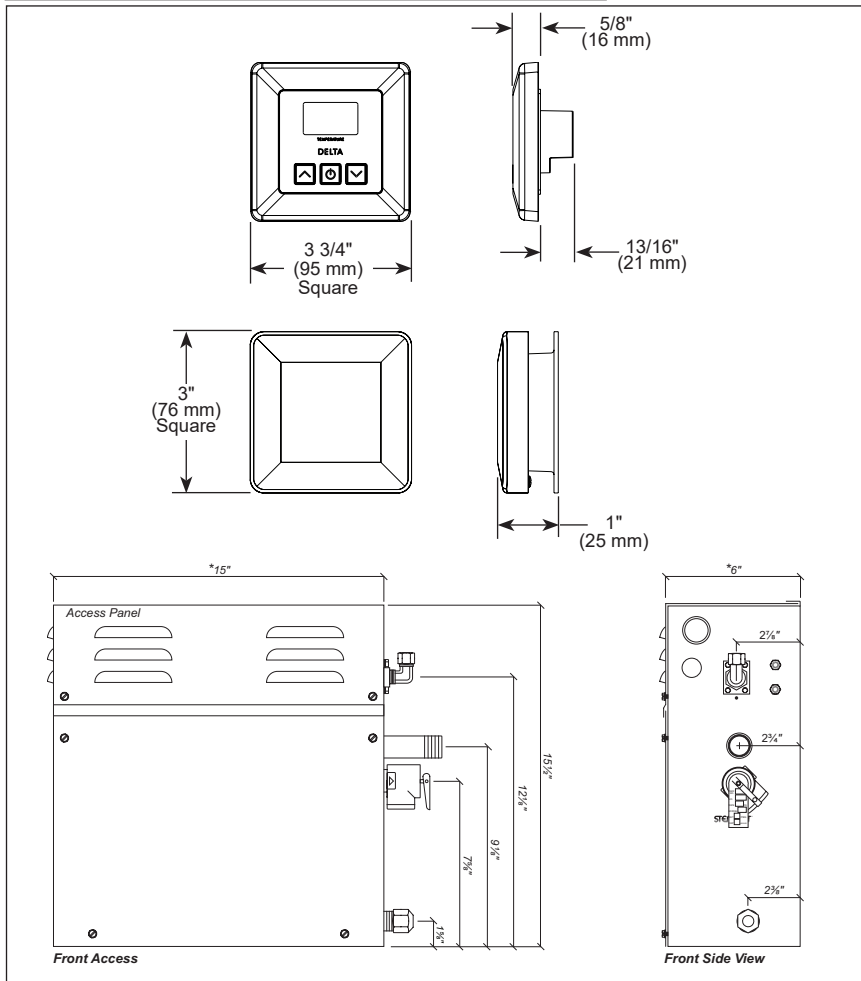
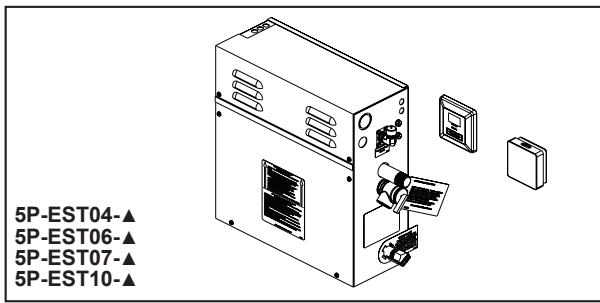
- Surface Mount - 1 1/2" hole required
- Must mount inside the steam room away from steam head.
- Mount control near seating area and not above Steam head
- Control should be mounted 48" above the floor
- Steam head to be mounted 12" to 18" above the finished floor or 6" above the rim of the tub and as far from the seating area as possible.
- Package includes: Control, 35' multi-conductor cable, 6-Pin coupler, strain relief clamp, silicone sealant, and Installation and Operating Instructions

COMPLIES WITH:

- UL/cUL Listed

Delta Faucet Company

55 E. 11th Street, Carmel, IN 46280
 350 South Edgeware Road, St. Thomas, ON N5P 4L1
 © 2024 Delta Faucet Company



Steam Generator Specification Chart

Model Number	KW Rating	Max. Adj. Cu. Ft. Range*	Volts/Phase/Max. Amps	Line Fuse	Dimensions L x W x H
EP103323	4	65	240/1/17	25	15" x 6" x 15.5"
EP103324	6	150	240/1/25	30	15" x 6" x 15.5"
EP103325	7.5	250	240/1/31	40	15" x 6" x 15.5"
EP103326	10	450	240/1/42	50	15" x 6" x 15.5"

* Refer to sizing guidelines to accurately determine the proper size generator for the installation.
 90°C copper wire is required for generator connection. Installation shall be in accordance with NEC and local electrical codes.

WARRANTY

- Steam Generators – Lifetime limited warranty; or for commercial purchasers (including for steam bath generators with model numbers beginning with 5COM, which are intended solely for heavy commercial use), one (1) year from the date the product is received by the original purchaser or their authorized representative (installation contractor, etc.).
- Electronic Parts for Steam Bath Generators, Controls, Spa Options and Accessories – two (2) years from the date the product is received by the original consumer purchaser or their authorized representative (installation contractor, etc.); or for commercial purchasers, one (1) year from the date the product is received by the original purchaser or their authorized representative (installation contractor, etc.).
- Please go to www.deltafaucet.com for the complete details of our limited warranty.

▲ Designate Proper Finish Suffix

Delta reserves the right (1) to make changes in specifications and materials, and (2) to change or discontinue models, both without notice or obligation. Dimensions are for reference only. See current full-line price book or www.deltafaucet.com for finish options and product availability.