

DOUBLE HOSE BIBB OUTLET CONNECTION OUTLET BOX WITH DRAIN BOX

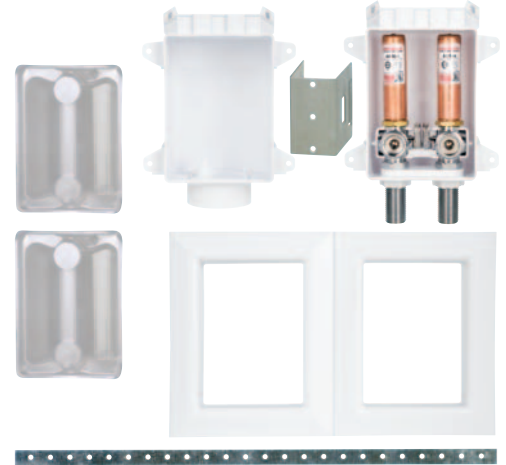
696 series

Ox Box™

Item # Submitted	_____
Job Name	_____
Location	_____
Engineer	_____
Contractor	_____
PO#	_____ TAG _____

SPECIFICATION

Sioux Chief 696 series Ox Box double hose bibb outlet connection outlet box with drain box shall be used where necessary in plumbing supply/drainage systems. Unit shall allow for mounting with supply lines from top or bottom, on-stud or between-studs. Unit shall be available with plain valves or valves with water hammer arresters. Arresters shall be certified to ASSE 1010 and shall be UPC listed. Metal support bracket shall install into top tracks of boxes for between stud configuration. Metal clip shall be installed on side slots of box in desired configuration. Drain box shall have a 5/8" integral testable nipple on knockout. Outlet connections shall be generally 3/4".



MATERIALS

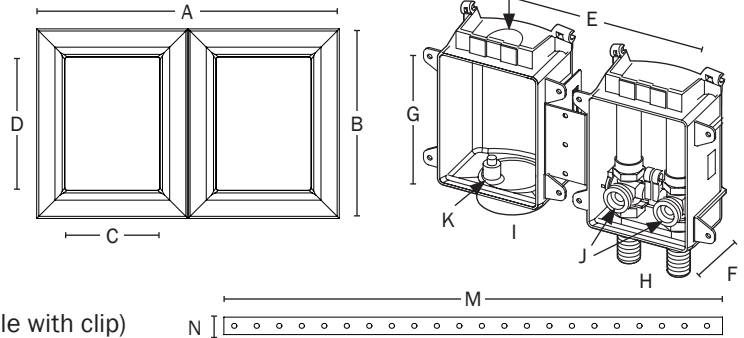
- outlet box: ABS
- frame: ABS
- bracket: galvanized steel
- box clip: galvanized steel
- arrestor body: Type L copper tube
- piston: polypropylene with two EPDM o-rings
- piston lubrication: Dow-Corning, 111 FDA approved silicone compound
- valve body: chrome-plated forged brass

VALVE/ARRESTER WORKING LIMITS

- max working temperature: 250°F
- maximum testing air pressure: 100 PSIG
- maximum working/testing pressure: 250 PSIG

DIMENSIONS

- | | |
|---|--|
| A: Frame width | 11 1/2" |
| B: Frame height | 7 1/4" |
| C: Frame opening width | 3 5/8" |
| D: Frame opening height | 5 1/8" |
| E: Rough-in box width | 4" (single box) 10" (double with clip) |
| F: Rough-in box depth | 3 1/2" |
| G: Rough-in box height | 5 1/2" |
| H: Supply connections | 1/2" nominal, 2" O.C. |
| I: Drain connections | 2" hub DWV |
| J: Outlet connections | 3/4" male hose thread |
| K: Test nipple | 5/8" O.D. |
| L: Secondary drainage knockout ¹ | accepts 1/2", 3/4", or 1" pipe |
| M: Bracket length | 18" |
| N: Bracket width | 5/8" |
| Bracket thickness | 16 gauge |



CERTIFICATIONS/APPROVALS

Listed by UPC/IAPMO to meet UPC
 Conforms to IPC
 Valves meet ASME A112.18.1
 SCM items available with no-lead valves
 are compliant with NSF-61 Annex G and
 California No Lead Plumbing Law



1 Secondary drainage funnel (696-CF) available separately.

Create Item Number

696 A 23 B 3 C D

e.g. 696-2313MF = double hose bibb outlet connection supply box and drain box, female sweat valves with arresters, packaged with frame

- | | | |
|---|---|--|
| <p>A VALVES</p> <ul style="list-style-type: none"> <input type="checkbox"/> - Plain valve <input type="checkbox"/> -G No-lead valves¹ <p>B ARRESTER</p> <ul style="list-style-type: none"> <input type="checkbox"/> 0 No arrestor <input type="checkbox"/> 1 With arrestor | <p>C SUPPLY CONNECTION</p> <ul style="list-style-type: none"> <input type="checkbox"/> M 1/2" female sweat <input type="checkbox"/> C 1/2" male CPVC <input type="checkbox"/> X 1/2" PEX crimp F1807 <input type="checkbox"/> W 1/2" PEX cold expansion F1960 <input type="checkbox"/> V 1/2" Viega PureFlow® PEX <input type="checkbox"/> A 1/2" PEX cold expansion F2080 | <p>D FRAME PACKAGING</p> <ul style="list-style-type: none"> <input type="checkbox"/> F Standard pack (supply box, frame, bracket, debris cover) <input type="checkbox"/> R Rough-in pack² (supply box, bracket, debris cover) <p>1 Compliant with NSF-61 Annex G and California No Lead Plumbing Law</p> <p>2 Order frame (696-1F) separately.</p> |
|---|---|--|