

CGa Section Assembly

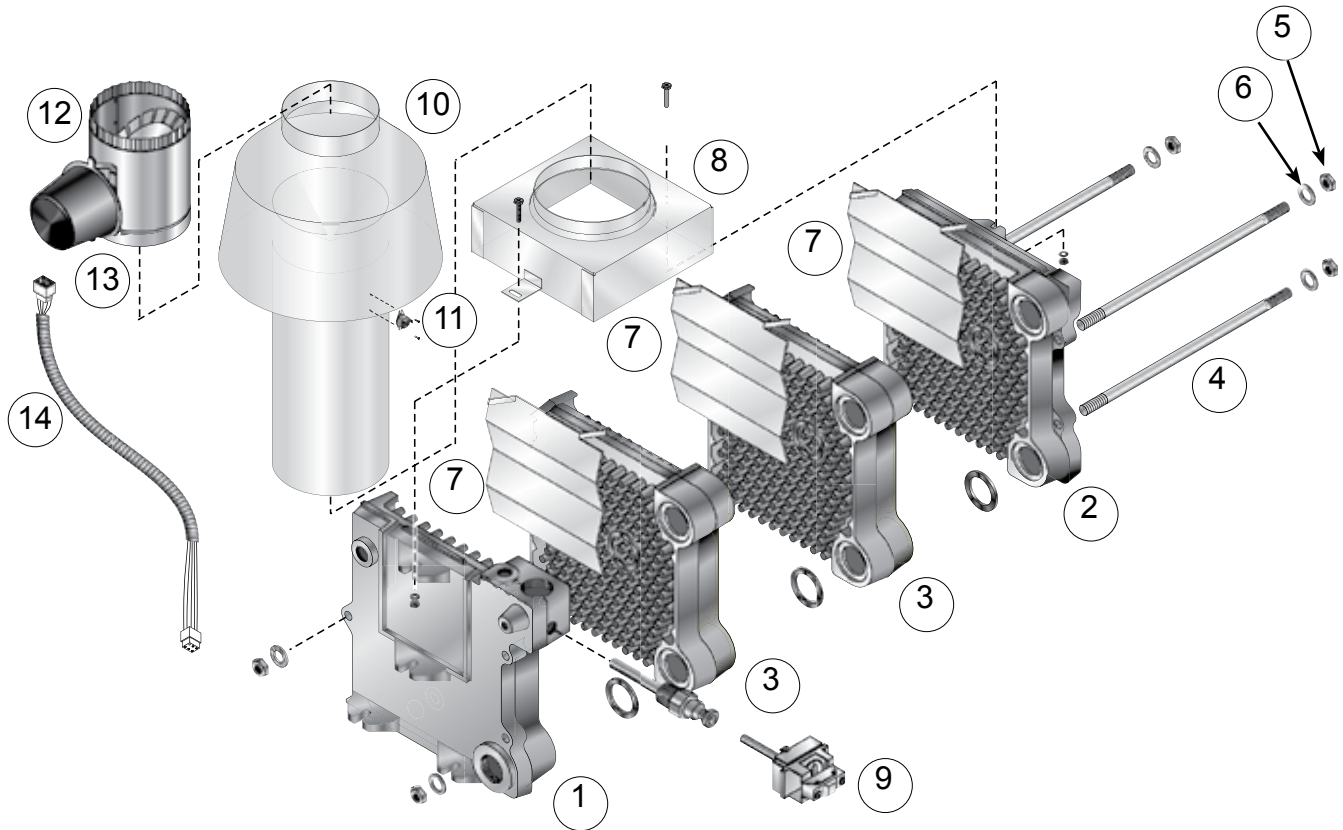


Fig. No.	Part No.	Description	Mfr.	Mfr.'s Part No.	Boiler Size
1	311-103-851	End Section, left hand, cast #51124	Weil-McLain		All
2	311-103-821	End Section, right hand, cast #51128	Weil-McLain		All
3	311-103-818	Intermediate Section, cast #51125	Weil-McLain		All
NS	321-114-286	Replacement Section Assembly	Weil-McLain		25, 3
	321-114-287				4
	321-114-288				5
	321-114-289				6
	321-114-290				7
	321-114-291				8
NS	381-354-527	Section Replacement Kit (Includes: seals and sealant for (1) joint)	Weil-McLain		All
4	560-234-500	Tie Rod, 7/16" x 9" without nut (3 required for boiler)	Weil-McLain		25, 3
	560-234-501	Tie Rod, 7/16" x 12" without nut (3 required for boiler)	Weil-McLain		4
	560-234-502	Tie Rod, 7/16" x 15" without nut (3 required for boiler)	Weil-McLain		5
	560-234-503	Tie Rod, 7/16" x 18" without nut (3 required for boiler)	Weil-McLain		6
	560-234-504	Tie Rod, 7/16" x 21" without nut (3 required for boiler)	Weil-McLain		7
	560-234-505	Tie Rod, 7/16" x 24" without nut (3 required for boiler)	Weil-McLain		8
5	561-928-235	Nut, 7/16" (2 per tie rod)	Weil-McLain		All
6	562-248-684	Washer, lock 7/16" (1 per joint)	Weil-McLain		All
7	460-003-700	Radiation Plate (1 per joint)	Weil-McLain		All

CGa Section Assembly

8	381-354-625	Collector Hood	Weil-McLain		25
	381-354-626				3
	381-354-627				4
	381-354-628				5
	381-354-629				6
	381-354-630				7
	381-354-631				8
9	510-312-250	High Limit, 140-220°F with 30° differential and ½" N.P.T. well	Honeywell	L4090D-1036	All
			White-Rogers	11B81-3	
10	450-021-240	Draft Hood	Weil-McLain		25
	450-021-241				3
	450-021-242				4
	450-021-243				5
	450-021-244				6
	450-021-245				7
	450-021-246				8
11	510-300-013	Spill Switch 210°, manual reset	Elmwood Sensors	2455RM-8174-0201	25
	510-300-014	Spill Switch 240°, manual reset	Elmwood Sensors	2455RM-8050-0181	3-8
12	381-800-474	Vent Damper 4"	Effikal	RVGP-KS-48KF	25, 3
			Johnson Controls	Q35GB-2	
	381-800-475	Vent Damper 5"	Effikal	RVGP-KS-58KF	4
			Johnson Controls	Q35GD-2	
	381-800-476	Vent Damper 6"	Effikal	RVGP-KS-68KF	5, 6
			Johnson Controls	Q35GF2	
	381-800-477	Vent Damper 7"	Effikal	RVGP-KS-78KF	7, 8
			Johnson Controls	Q35GH-2	
13	510-512-337	Vent Damper Actuator	Effikal	RVGP	All
	510-312-255	Vent Damper Actuator	Johnson Controls	M35BE-1C	All
14	591-391-795	Vent Damper Harness	Weil-McLain		All