

Features

- ½" NPT connection.
- 1.0 gpm (3.8 lpm) flow rate at 80 psi (552.6 kPA).
- MasterClean™ sprayface features an easy-to-clean surface that withstands mineral buildup.

Technology

- Katalyst® air-induction technology infuses water with air, creating bigger drops for a more powerful spray.

Recommended Products/Accessories

K-23723 Faucet cleaner



Codes/Standards

ASME A112.18.1/CSA B125.1
DOE - Energy Policy Act 1992
California Energy Commission (CEC)

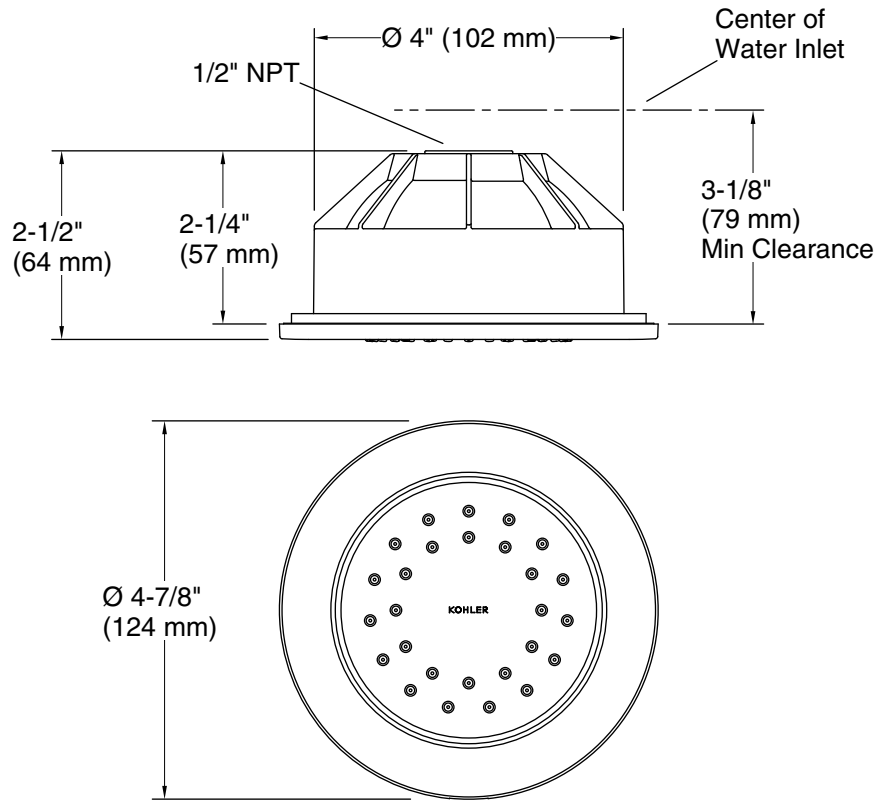
KOHLER® Faucet Lifetime Limited Warranty

See website for detailed warranty information.

Available Colors/Finishes

Color tiles intended for reference only.

Color	Code	Description
	CP	Polished Chrome
	SN	Vibrant® Polished Nickel
	BN	Vibrant® Brushed Nickel
	2BZ	Oil-Rubbed Bronze
	BL	Matte Black
	2MB	Vibrant® Brushed Moderne Brass
	TT	Vibrant Titanium



Technical Information

All product dimensions are nominal.

Showerhead/Body Spray:

Rated maximum flow: 1 gal/min (3.8 l/min)
Pressure: 45 psi (3.1 bar)

Notes

For use with automatic compensating valves rated at 1.6 gal/min (6.1 l/min) or less.

Install this product according to the installation instructions.

Caution: Risk of personal injury. To prevent water temperature fluctuation and possible scalding, use two or more 1.0 gpm body sprays to maintain valve stability.