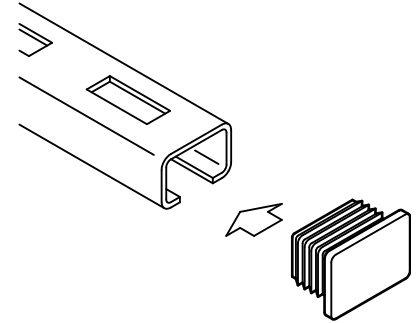
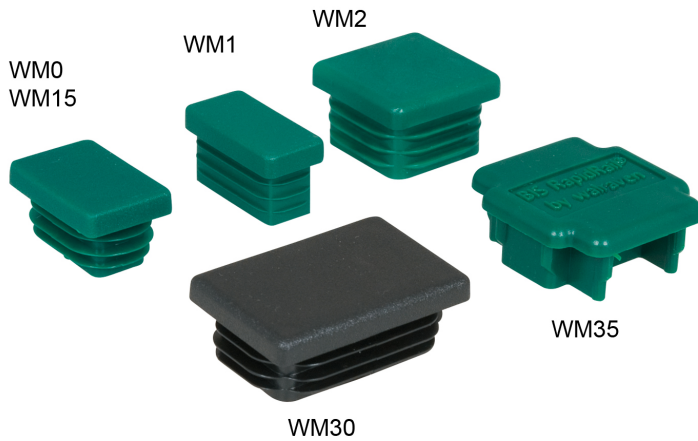


BIS Rail End Caps

finishing of BIS RapidRail®



Features and benefits

- for clean finishing of rail end, covers all burrs
- material: PE (polyethylene)
- easily inserted, will not fall out

Part No.	For Rail	Colour	Pack 1	Pack 2
656 6 000	WM0 (27x18 mm), WM15 (30x20 mm)	Green	50	250
656 6 002	WM2 (30x30 mm)	Green	25	250

Complementary

- BIS RapidRail® Fixing Rail
- BIS RapidRail® Cantilever Arms (BUP1000)