

ELKAY[®]

SPECIFICATIONS

Mystic Universal Mount Sinks Model SCF16FB Series

GENERAL

High quality single bowl sink is formed of type 304 (18-8) nickel bearing stainless steel material.
Universal mount sink can be installed as a top mount or undermount.

- SCF16FBSH** hammered mirror finish
- SCF16FBSM** mirror finish
- SCF16FBRS** rugged satin finish

DESIGN FEATURES

Bowl Depth: 7" (178mm).
Underside: Fully undercoated to reduce condensation and dampen sound.
Fastening Method: For top mount application, utilize clips and attach to threaded stud (see illustration "A" below). For undermount application, utilize undermount clips (see illustration "B" below) – fasteners are not supplied.

OTHER

Drain Opening: 3-1/2" (89mm).
Sink complies with ASME A112.19.3-2008 / CSA B45.4-08.



These sinks are listed by the International Association of Plumbing and Mechanical Officials as meeting the requirements of the Uniform Plumbing Code and the National Plumbing Code of Canada.

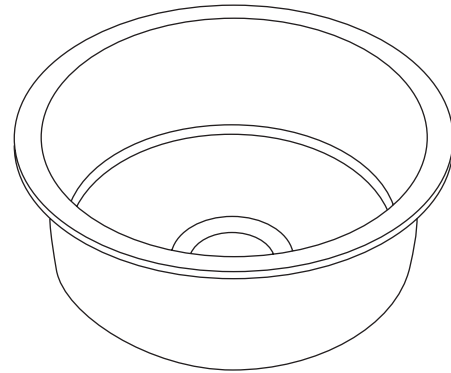
OPTIONAL ACCESSORIES

Bottom Grid: LKWRBG14SS
Drain: LK99

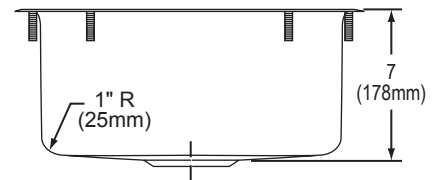
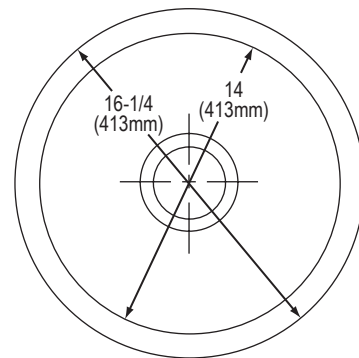
SINK DIMENSIONS

| Model Number | OD | ID | Depth | Cutout in Countertop | Minimum Cabinet Size |
|--------------|----------------|------------|-----------|---|----------------------|
| SCF16FBSH | 16-1/4 (413mm) | 14 (413mm) | 7 (178mm) | See Template* for undermount application. For drop-in application use sink upside down as template and cut 5/16" INSIDE sink outline. | 21 (533mm) |
| SCF16FBSM | 16-1/4 (413mm) | 14 (413mm) | 7 (178mm) | | 21 (533mm) |
| SCF16FBRS | 16-1/4 (413mm) | 14 (413mm) | 7 (178mm) | | 21 (533mm) |

*Template 74180295 and countertop mounting clips are packed with every sink.



Model SCF16FB



Model SCF16FB

ILLUSTRATION A

Top Mount Application

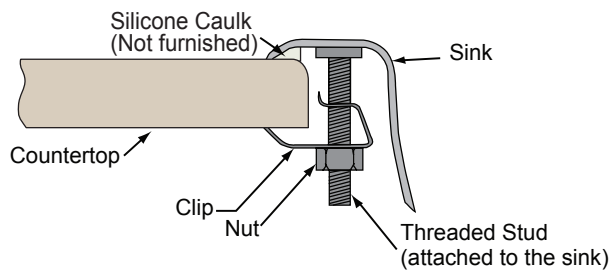
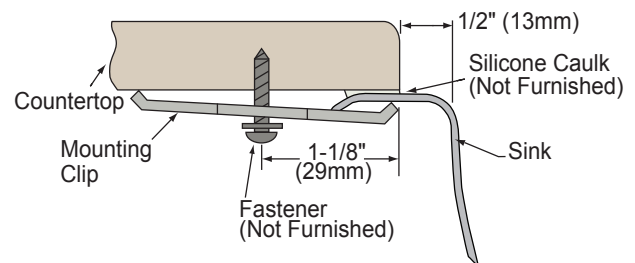


ILLUSTRATION B

Undermount Application 1/2" (13mm) Reveal



In keeping with our policy of continuing product improvement, Elkay reserves the right to change product specifications without notice.

This specification describes an Elkay product with design, quality and functional benefits to the user. When making a comparison of other producers' offerings, be certain these features are not overlooked.

Elkay

elkayusa.com

2222 Camden Court
Oak Brook, IL 60523

Printed in U.S.A.
©2011 Elkay

(Rev. 8/11) 1-172D