

Exposed TECK® Flush Valve

TECK®
COMMERCIAL



DELTA®

Specification: (example)

(FOR TOP INLET URINAL FIXTURE)

- Quiet action, TECK® exposed diaphragm flush valve
- Chloramine resistant diaphragm
- Forged brass diaphragm retainer
- Renewable seat
- Polished chrome plated finish
- **External water conserving flush volume adjustment**, factory set to 1.9 litre (0.50 gal.)
- Vandal resistant cover screw
- Metal "non hold open" handle
- **1" FIP/3/4" copper sweat inlet adaptor** angle check stop with protecting cap
- Adjustable 121 mm (4-3/4") plus or minus 11 mm (7/16") inlet/valve outlet centers
- Vacuum breaker
- Cover tube and S/S wall flange, spud flange and spud nut

FOR 3/4" TOP INLET URINAL FIXTURE

- ❑ **81T231**
As above
- ❑ **81T231-38**
Same as 81T231, but set to 3.8 litre (1.0 gal.), **Not field adjustable.**
- ❑ **81T231-19**
Same as 81T231, **Not field adjustable.** 
- ❑ **81T231-05**
Same as 81T231, but set to 0.5 litre (0.125 gal.), **Not field adjustable.** 

FOR 1-1/4" TOP INLET URINAL FIXTURE (with 1" copper inlet adaptor)

- ❑ **81T291**
As above

OPTIONS AVAILABLE (for Field Conversion):

- ❑ **060253A**
3/4" x 19-1/2" VB Tube (for 81T231)



Approvals:

- IAPMO listed to CSA B125.3 and ASSE 1037
-  Indicates compliance to ICC/ANSI A117.1

(Contact Delta Representative for State and/or Local Approvals.)

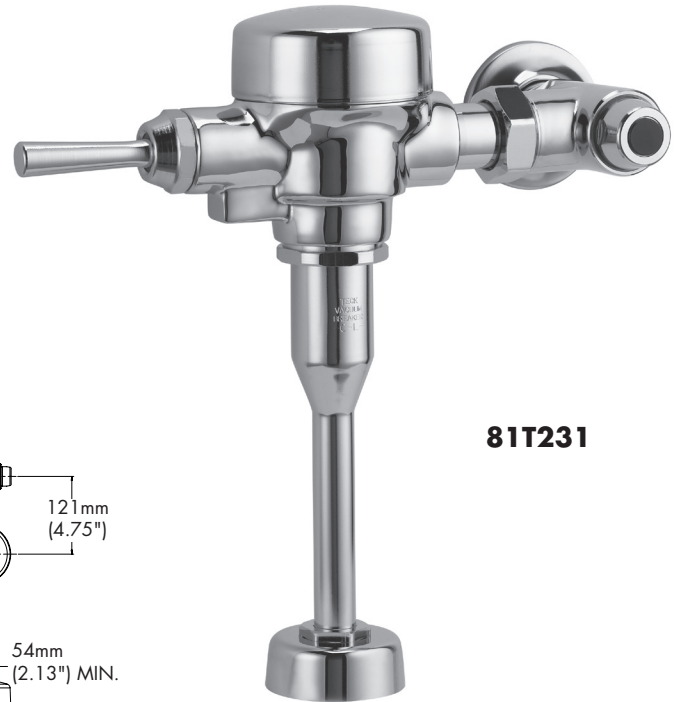
Engineer/Architect Approval

Model Specified:

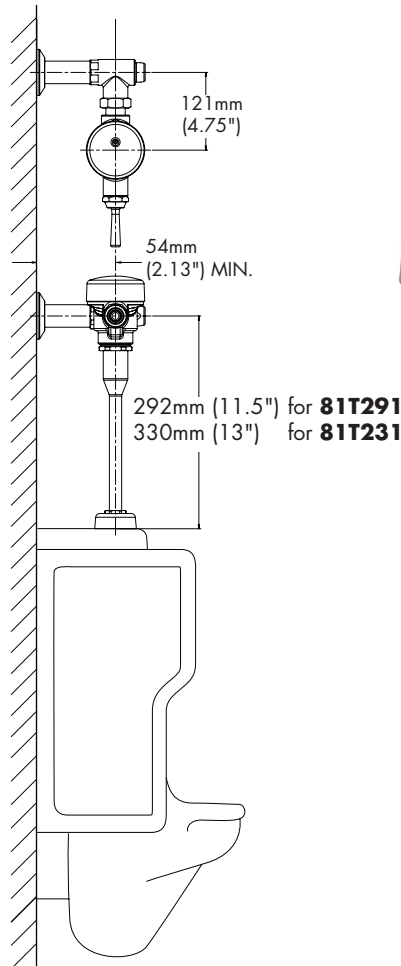
Approval:

Date:

Note: Measurements may vary ± 6mm (0.25")



81T231



Note: For high and low pressure applications, please see page FEA-81T High Water Pressure note for more details. Verify flow requirements with bowl manufacturer.