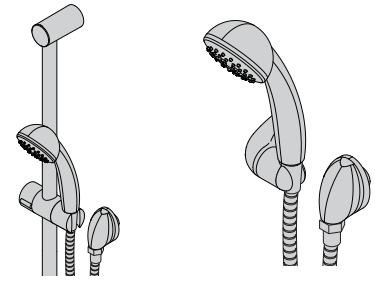




SYMMONS® Canterbury®

Location:

H321-V, H301-V
Hand Shower /Slide Bar Assembly
Specification Submittal



Model, H321-V Model, H301-V

Model Numbers

- H321-V** Hand Shower with slide bar
- H301-V** Hand Shower without slide bar for mounting to the wall

Feature Highlights

- 1 mode hand shower unit
- 2-3/4" diameter
- Dual checks for backflow protection
- 30" slide bar with cradle for hand shower mounting (model H321-V)
- Cradle for hand shower mounting (model H301-V)
- Standard flow rate is 2.0 gpm (7.6 L/min)
- Optional lower flow rate restrictor available
- Polished chrome finish (standard)

Options/ Modifications

- 1.5** **1.5 gpm (5.7 L/min) flow restrictor**
- STN** **Satin Nickel finish**
- 72** **72" hose in place of 60" hose**
- MB** **Matte Black finish**
- BBZ** **Brushed Bronze finish**

Note: Append appropriate -suffix to model number.

Compliance

- ASME A112.18.1/CSA B125.1



Warranty

Limited Lifetime - to the original end purchaser in consumer/residential installations.

10 Years - for commercial/industrial installations. Refer to www.symmons.com/warranty for complete warranty information.



Architectural/ Engineering Specification

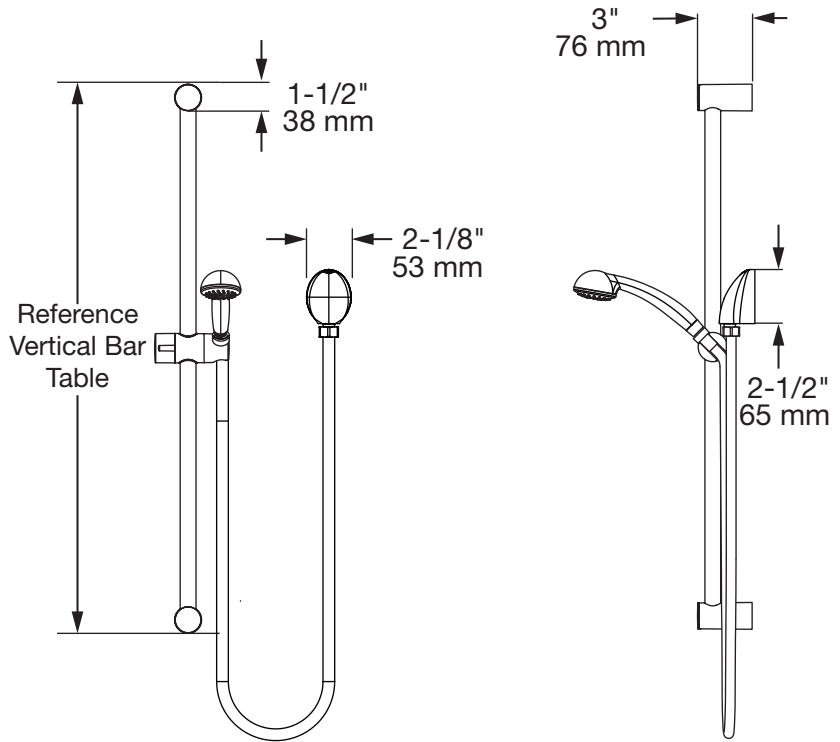
Symmons Hand Shower and Slide Bar Assembly _____ Includes 1 mode hand shower unit, 2-3/4" diameter, Dual checks for backflow protection, 30" slide bar with cradle for hand shower mounting (model H321-V), Cradle for hand shower mounting (model H301-V), Standard flow rate is 2.0 gpm (7.6 L/min), Optional lower flow rate restrictor available, Polished chrome finish (standard). 10 Year Commercial Warranty. ASME A112.18.1/CSA B125.1 compliant. Available options: "1.5 - 1.5 gpm (5.7 L/min) flow restrictor", "STN - Satin Nickel finish", "72 - 72" hose in place of 60" hose", "MB - Matte Black finish", "BBZ - Brushed Bronze finish".



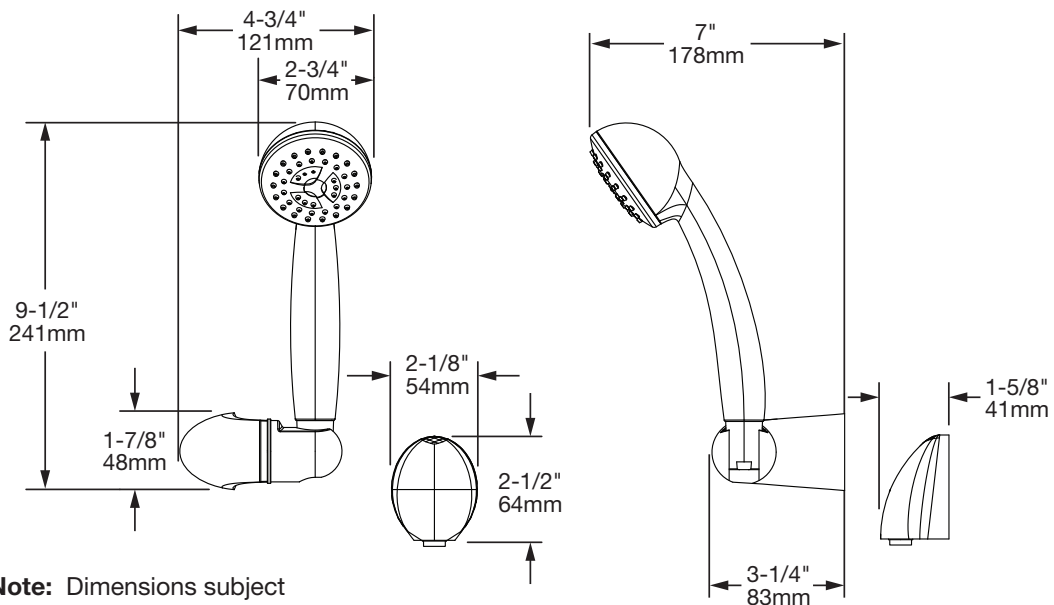
H321-V, H301-V

Dimensions

Vertical Bar	
Length	Drawing Dimension
30"	30" (762 mm)
48"	48" (1219 mm)



Note: Dimensions subject to change without notice.



Note: Dimensions subject to change without notice.