

MEMOIRS®

Features

- Brass construction

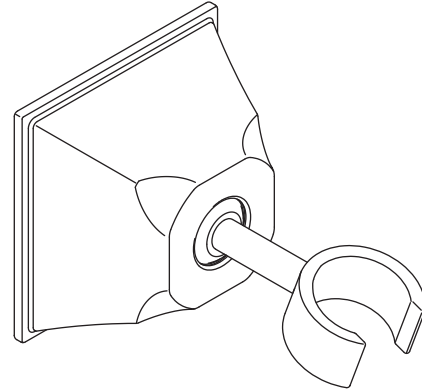
ADJUSTABLE WALL-MOUNT HANDSHOWER HOLDER

K-422

Codes/Standards Applicable

Specified model meets or exceeds the following:

- ASME A112.18.1/CSA B125.1



Colors/Finishes

- CP: Polished Chrome
- Other: Refer to Price Book for additional colors/finishes

Specified Model

Model	Description	Colors/Finishes	
K-422	Adjustable wall-mount handshower holder	<input type="checkbox"/> CP	<input type="checkbox"/> Other_____

Product Specification:

Handshower bracket shall be of brass construction. Product is intended for wall-mount installations. Handshower bracket shall be Kohler Model K-422-_____.

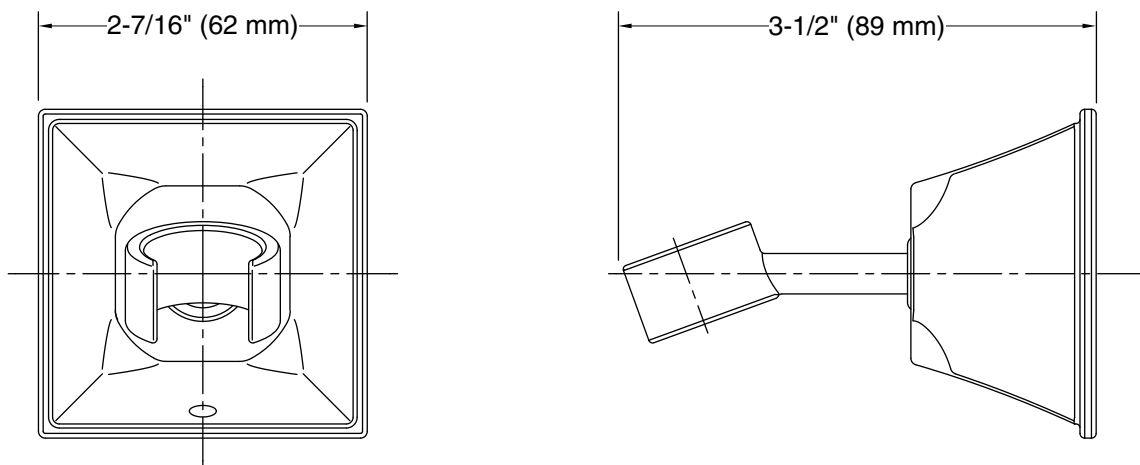
MEMOIRS®

Technical Information

Applicable product:	
Adjustable wall-mount handshower holder	K-422

Installation Notes

Install this product according to the installation guide.



Product Diagram