

*For Residential and Commercial Applications*

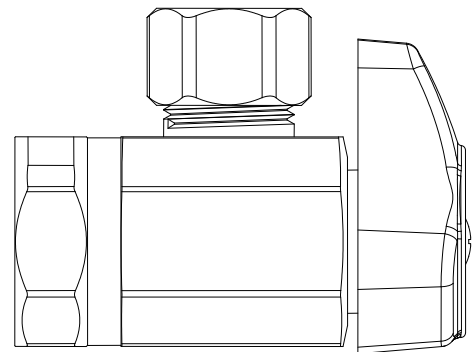
Job Name		Engineer / Architect	
Job Location		Wholesaler	
Submittal Date		Contractor	

## G2R07/ G2R15/ G2R17 & G2R37 1/4 Turn Angle Stop – Female Iron Pipe x Compression

**Use:** For use in potable water distribution systems. Not intended for recirculating systems that produce continuous use temperatures above 115° F. For those applications, use BrassCraft’s KT series ball stop.

**Design Features:**

- **One-Piece shut-off mechanism** provides smooth on-off operation without freeze ups even after long periods of non-use
- **Positive 1/4 turn shut-off**
- **Full-flow operation** with no waterway obstructions
- **Corrosion-resistant handle** is plated in an attractive chrome finish
- **Machined one-piece brass body** provides strength, durability and long-lasting performance
- **Easy-to-remove handle** with screw attachment protects accidental operation during rough-ins
- **100% leak tested**
- **Compliant G2 Stops** available for California and Vermont “no-lead” requirements



**Operating Specifications:**

**Temperature:** 40°- 140° F  
**Pressure:** 125 psi maximum

**Standard**

**Compliant**

MATERIAL SPECIFICATIONS	
<b>Valve Body</b>	<b>C36000 Brass</b>
<b>Stem Barrel</b>	<b>Santoprene</b>
<b>Stem Shaft</b>	<b>Glass-filled Polypropylene</b>
<b>Stem O-ring</b>	<b>EPDM</b>
<b>Handle</b>	<b>Chrome-plated Zinc Die Cast</b>
<b>Screw</b>	<b>Zinc-plated Steel</b>
<b>Compression Sleeve</b>	<b>C36000 Brass</b>
<b>Compression Nut</b>	<b>Chrome-plated C36000 Brass</b>

MATERIAL SPECIFICATIONS	
<b>Valve Body</b>	<b>Compliant brass</b>
<b>Stem Barrel</b>	<b>Santoprene</b>
<b>Stem Shaft</b>	<b>Glass-filled Polypropylene</b>
<b>O-ring</b>	<b>EPDM</b>
<b>Handle</b>	<b>Chrome-plated Zinc Die Cast</b>
<b>Screw</b>	<b>Zinc-plated Steel</b>
<b>Compression Sleeve</b>	<b>C36000 Brass</b>
<b>Compression Nut</b>	<b>Chrome-plated C36000 Brass</b>

**Standard Part Listing:**

- G2R15 C      3/8" F.I.P. x 3/8" OD Compression, chrome plated
- G2R15 CD      3/8" F.I.P. x 3/8" OD Compression, chrome plated, carded

*This specification and all information contained herein is the confidential and exclusive property of BrassCraft Manufacturing, and shall not be disclosed to others without the written consent of BrassCraft. This specification must be returned to BrassCraft if requested.*



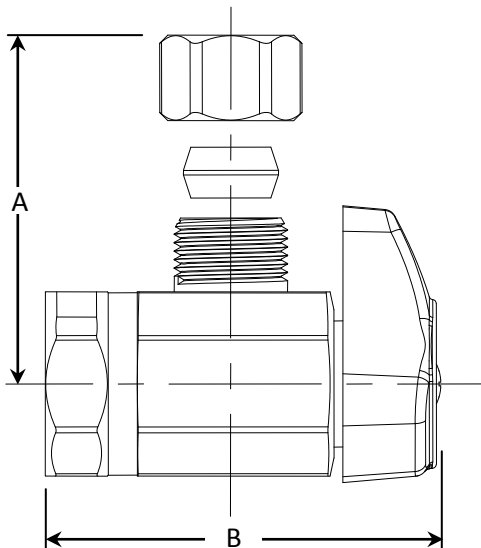
## G2R07/ G2R15/ G2R17 & G2R37 1/4 Turn Angle Stop – Female Iron Pipe x Compression

**Standard Part Listing (con't):**

- G2R15 C1      3/8" F.I.P. x 3/8" OD Compression, chrome plated, window tray
- G2R07 C      1/2" F.I.P. x 1/4" OD Compression, chrome plated
- G2R07 CD     1/2" F.I.P. x 1/4" OD Compression, chrome plated, carded
- G2R07 C1     1/2" F.I.P. x 1/4" OD Compression, chrome plated, window tray
- G2R07 R      1/2" F.I.P. x 1/4" OD Compression, rough brass
- G2R17 C      1/2" F.I.P. x 3/8" OD Compression, chrome plated
- G2R17 CD     1/2" F.I.P. x 3/8" OD Compression, chrome plated, carded
- G2R17 C1     1/2" F.I.P. x 3/8" OD Compression, chrome plated, widow tray
- G2R17 R      1/2" F.I.P. x 3/8" OD Compression, rough brass
- G2R17 R1     1/2" F.I.P. x 3/8" OD Compression, rough brass, window tray
- G2R37 C      1/2" F.I.P. x 1/2" OD Compression, chrome plated
- G2R37 CD     1/2" F.I.P. x 1/2" OD Compression, chrome plated, carded
- G2R37 C1     1/2" F.I.P. x 1/2" OD Compression, chrome plated, window tray

**Compliant Part Listing:**

- G2R15X CD    3/8" F.I.P. x 3/8" OD Compression, chrome plated, carded
- G2R15X C1    3/8" F.I.P. x 3/8" OD Compression, chrome plated, window tray
- G2R07X C     1/2" F.I.P. x 1/4" OD Compression, chrome plated
- G2R07X CD    1/2" F.I.P. x 1/4" OD Compression, chrome plated, carded
- G2R07X C1    1/2" F.I.P. x 1/4" OD Compression, chrome plated, window tray
- G2R17X C     1/2" F.I.P. x 3/8" OD Compression, chrome plated
- G2R17X CD    1/2" F.I.P. x 3/8" OD Compression, chrome plated, carded
- G2R17X C1    1/2" F.I.P. x 3/8" OD Compression, chrome plated, window tray
- G2R37X CD    1/2" F.I.P. x 1/2" OD Compression, chrome plated, carded



PART DIMENSIONS (Inches)		
Model	DIM. A	DIM. B
G2R15	1.09	2.12
G2R07	1.09	1.95
G2R17	1.09	1.95
G2R37	1.18	1.95

*This specification and all information contained herein is the confidential and exclusive property of BrassCraft Manufacturing, and shall not be disclosed to others without the written consent of BrassCraft. This specification must be returned to BrassCraft if requested.*



# G2R07/ G2R15/ G2R17 & G2R37 1/4 Turn Angle Stop – Female Iron Pipe x Compression

**Listings & Certifications:**

- IAPMO listed to ASME A112.18.1-05 / CSA B125.1-05 (File # 0645)
- CSA listed to ASME A112.18.1-05 / CSA B125.1-05 (File # 204593)
- Compliant product CSA approved to AB1953 (Project # 2174785)

