



Ensemble™

60" x 30" Shower Receptor

72171120



Features

- Perfect size for replacing an existing bath. Easy to install. Drain is located in the same position as existing bath.
- Durable high-gloss finish.
- 60" (1524 mm) x 30" (762 mm) x 4" (102 mm) unit finished dimensions.

Material

- Compression molded from our exclusive Vikrell® material.

Installation

- Suitable for tile down application.



Codes/Standards



CSA B45.5/IAPMO Z124
ASTM E162
Greenguard UL 2818 - Gold
HUD, UM Bulletin 73

Warranty – Bathing Fixtures (and) Kitchen and Utility Sinks Made of Solid Vikrell® Material

See website for detailed warranty information.

Available Color/Finishes

Color tiles intended for reference only.

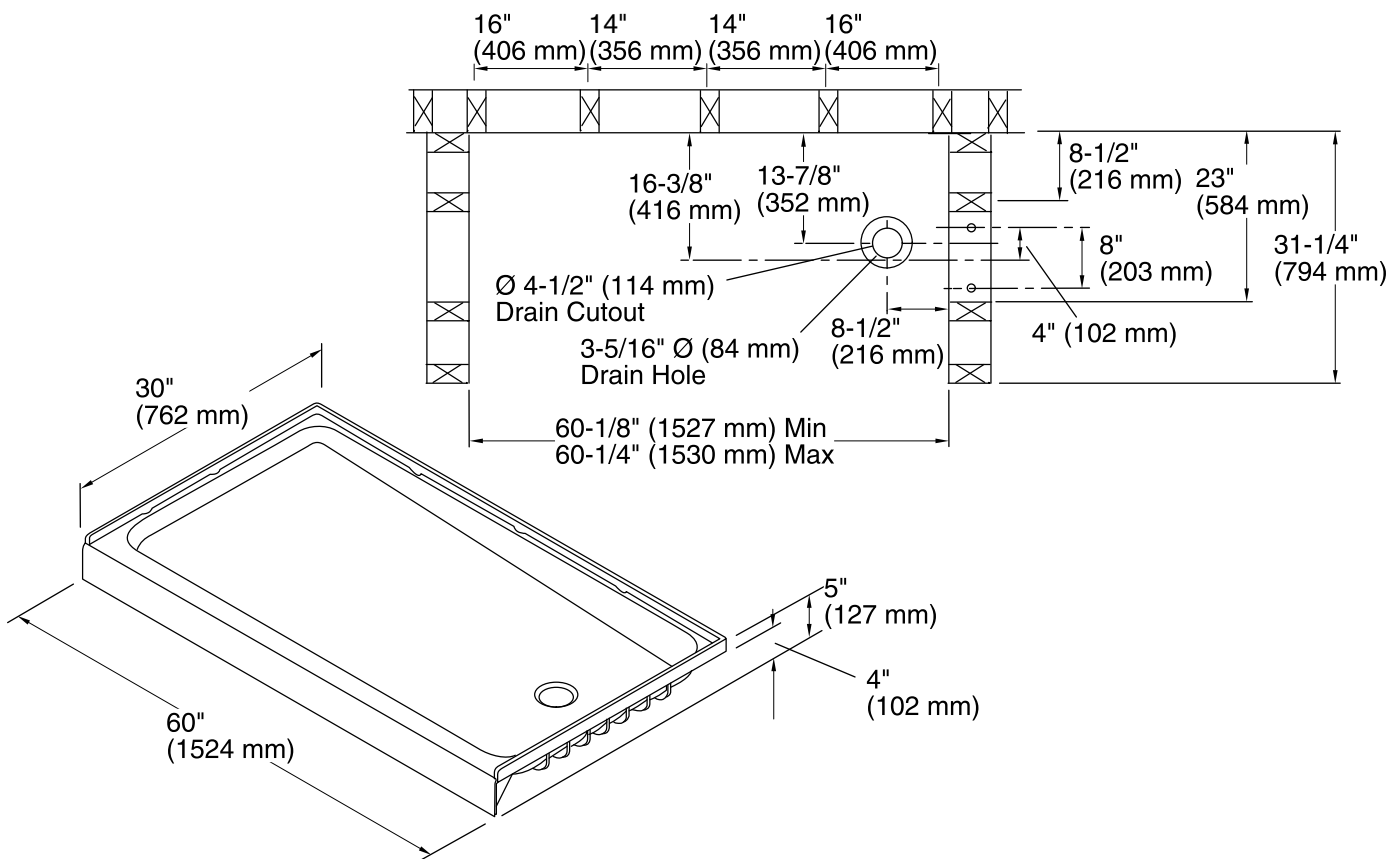
Color	Code	Description
	0	White
	96	KOHLER Biscuit

USA/Canada: 1-800-STERLING (1-800-783-7546)

Kohler Co. reserves the right to make revisions without notice to product specifications.

For the most current Specification Sheet, go to www.sterlingplumbing.com.

3-11-2018 01:49



Technical Information

All product dimensions are nominal.

Installation: 3-Wall Alcove
 Drain location: Right
 Weight: 38 lbs (17.2 kg)

Notes

Install this product according to the installation instructions.
 Studs should be positioned roughly as shown.
 Double studding is recommended for pivot shower door installations.