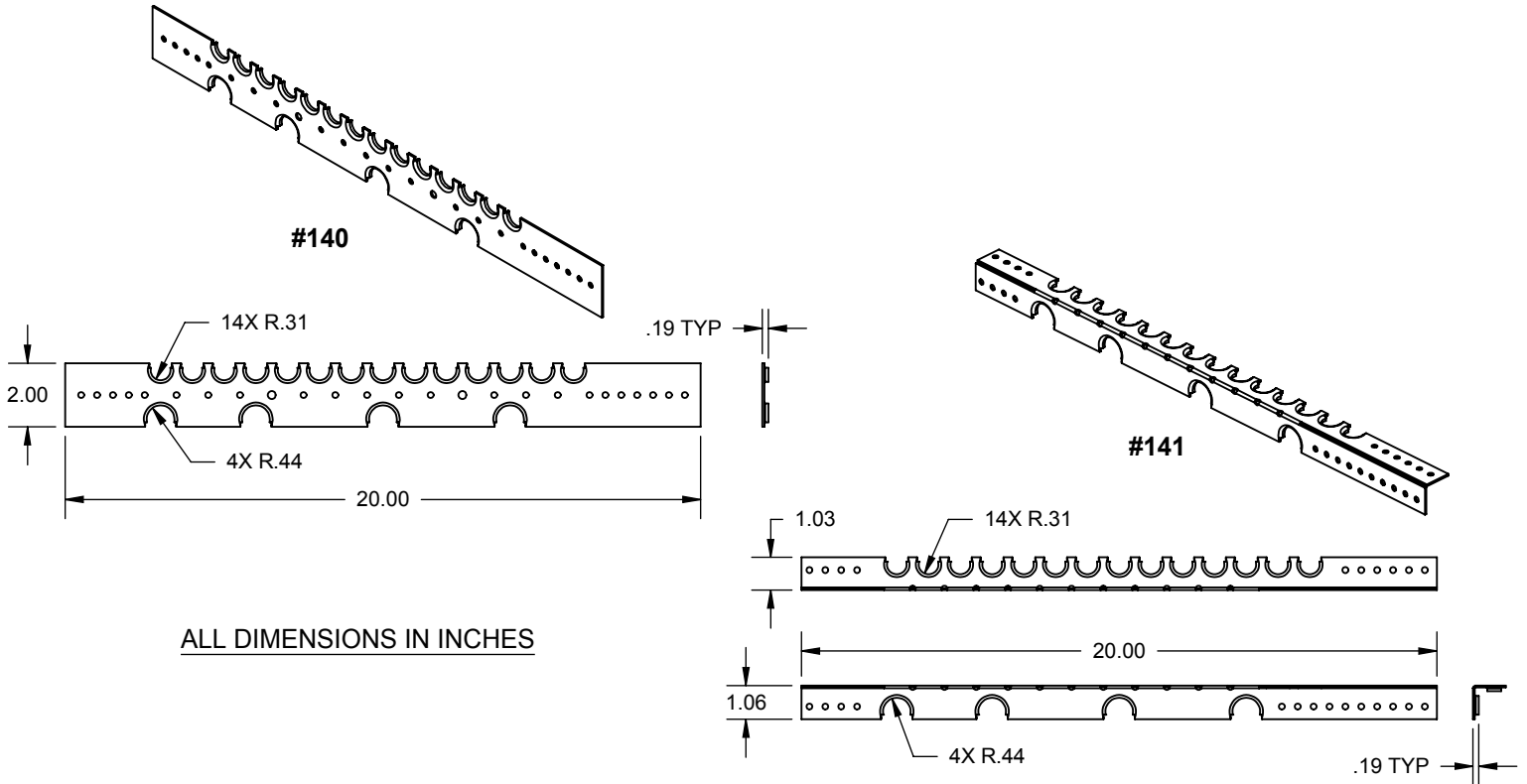


PRODUCT SPECIFICATION DRAWING

HOLDRITE® #140 & #141 BRACKET



The HOLDRITE® #140 and #141 are Copper-Bonded™ steel brackets with 5/8" extruded notches on 1" centers and 7/8" extruded notches on 4" centers. #141 bracket is bent at 90° degrees in the middle for added strength. Solder copper tubing to the bracket.

Product Information:

- Material: 16 gage CRS, Copper-Bonded™
- Load rating: 25 pounds
- UPC / IPC / IAPMO listed



THIS INFORMATION IS PROPRIETARY TO HOLDRITE AND IS SUBJECT TO CHANGE WITHOUT NOTICE. IT MAY NOT BE REPRODUCED IN PART OR WHOLE WITHOUT WRITTEN AUTHORIZATION.

HOLDRITE®

CONVERTING MAKESHIFT METHODS INTO ENGINEERED SOLUTIONSSM
 800-321-0316 OR 760-744-6944 / FAX: 760-744-0507 / WWW.HOLDRITE.COM
 spec_140_141_RevE

Product Submittal	
Job Name:	
Date:	
Part Number:	Qty:
Architect / Owner:	
Contractor:	
Notes:	