

88 Series 1 & 2 Section Assembly

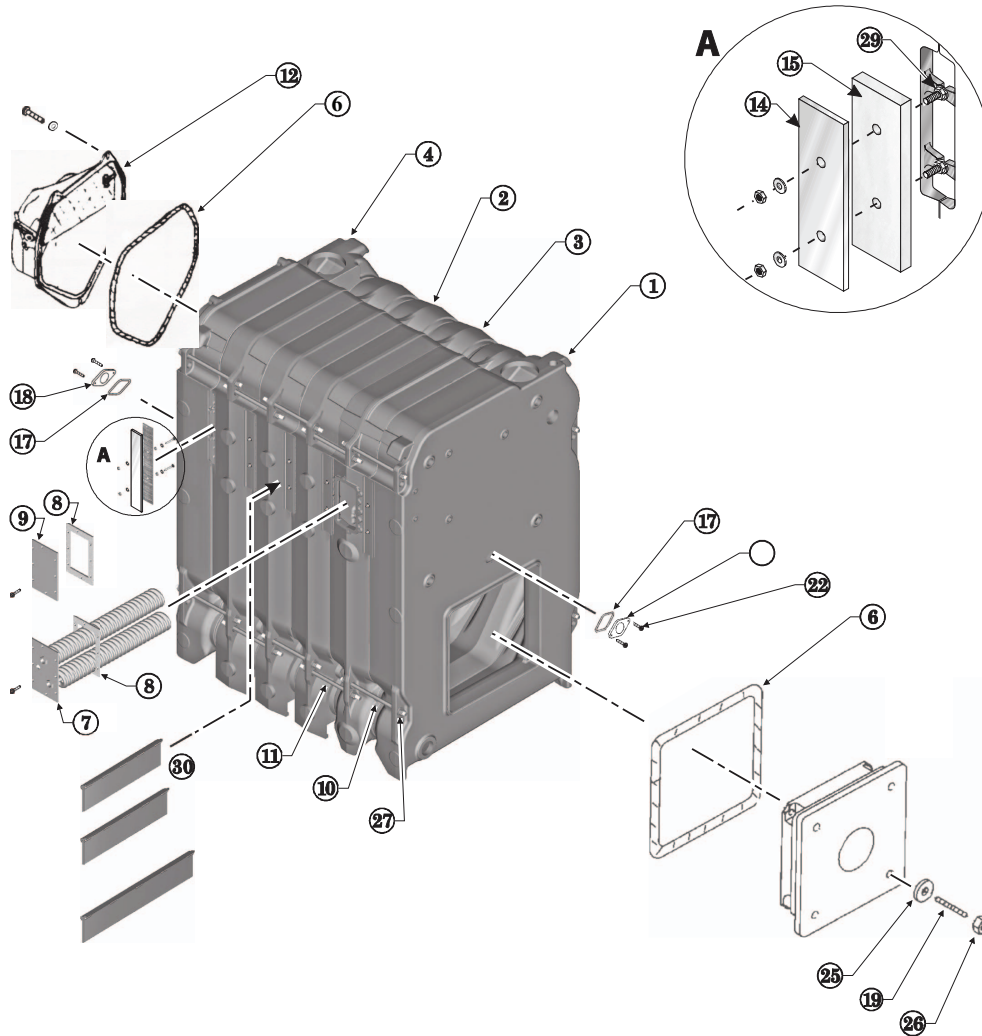


Fig. No.	Part. No.	Description	Notes	Series
1	316-301-210	Front Section – 8823 – 80 PSI	■	1 & 2
2	316-301-212	Regular Intermediate Section – 8825 – 80 PSI	■	1 & 2
3	316-301-214	Tankless Intermediate Section – 8826 – PSI	■	1 & 2
4	316-301-211	Back Section – 8828 – 80 PSI	■	1 & 2
	316-301-213	Supply Intermediate Section with 5" N.P.T. supply outlet tapping – 8824 – 80 PSI	■	1 & 2
	386-300-213	86/88 Section Replacement Kit (Includes: Rope, Seals, Sealant, Rope Adhesive)		1 & 2
11	560-134-495	5/8" x 11" Draw rod without nut (4 per joint) Int. to Int.		1
10	560-134-505	5/8" x 13" Draw rod without nut (4 per joint), (Ft. Or Bk. To Int. S1) All Series 2		1 & 2
27	561-928-224	5/8" – 11 nut HEX (2 per draw rod)		1 & 2
	562-248-710	5/8" Washer (1 per draw rod)		1 & 2
6	590-735-140	Rope fiberglass .50 diameter x 10' per joint		1 & 2
	590-735-145	1/8" Dia. Wick (1 for damper locking plate) Type FS 125		1 & 2
17	590-735-150	3/8" Dia. Sealing rope (1' per observation port) Type MD-375		1 & 2
	591-638-851	Silicone Sealant RTV700, 3 oz.		1 & 2