

# Brass Ball Valve

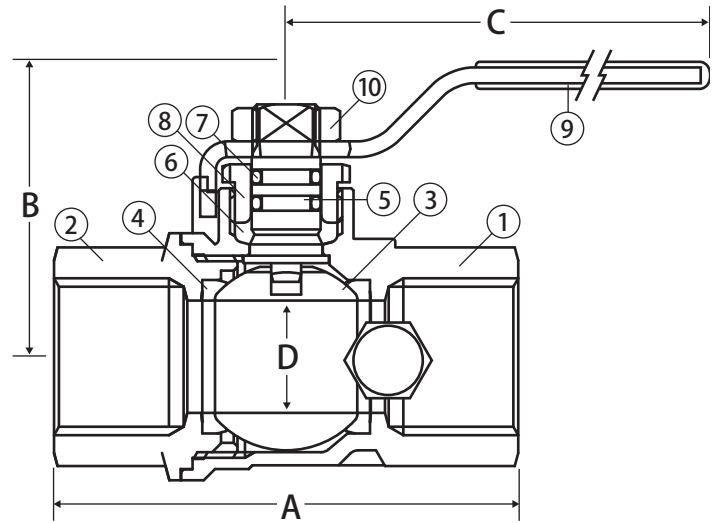


**2 Piece • Full Port • Threaded Connection • 600 WOG • with Side Tap**



**T-100STN**

CRN# 0C16887.5469870YTN



## Features

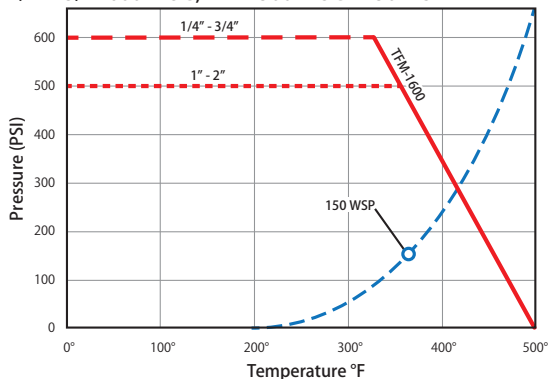
- Blow-out proof stem
- Triple sealing stem with 2 Viton® o-rings and Teflon® seal
- 3/8" - 1" have 1/8" FIP side tap
- 1-1/4" - 2" have 1/4" FIP side tap
- 100% leak tested
- Made in Italy
- Leakproof stem - Lifetime Warranty
- Accessories available on pages 223-226

## Approvals

- UL Listed (3/8" - 2")
  - MHKZ - Manual valves
  - YQNZ - Compressed gas shut-off valves
  - YRBX - Flammable liquid shut-off valves
  - YRPV - Gas shut-off valves
  - YSDT - LP gas shut-off valves
  - SFJQ - Valves, refrigerant
- CSA Certified
  - ANSI Z21.15 (.5 PSIG) (3/8" - 2")
  - ASME B16.33 (125 PSIG) (1/2" - 2")
  - CGA 3.16 (125 PSIG) (3/8" - 2")
  - CGA 9.2 (3/8" - 2")

## Valve Seat Rating

1/4" - 3/4" 600 WOG, 1 - 2" 500 WOG - 150 WSP



## Material Specifications

No.	Part	Materials
1	Body	Brass - CW617N
2	End Connection	Brass - CW617N
3	Ball	Chrome Plated Brass - CW617N
4	Seat (2)	Hostaflon® TFM 1600
5	Stem	Brass - CW614N
6	Packing	Hostaflon® TFM 1600
7	Stem O-ring (2)	Viton®
8	Packing Gland	Brass - CW614N
9	Handle	Steel - Geomet® Plated
10	Handle Nut	Steel - Geomet® Plated
11	Flat Washer*	Buna-N
12	Cap*	Brass - CW614N

\*Not shown in drawing

## Dimensions

Part No.	Size	A	B	C	D	Cv
170-102	3/8"	2.02	1.41	2.95	0.39	7.77
170-103	1/2"	2.48	1.53	2.95	0.59	16.82
170-104	3/4"	2.76	1.95	3.74	0.79	34.80
170-105	1"	2.81	2.40	4.75	0.97	52.20
170-106	1-1/4"	4.03	2.59	4.75	1.23	112.52
170-107	1-1/2"	4.72	3.22	6.00	1.49	174.00
170-108	2"	5.23	3.40	6.00	1.99	255.20

Note: Information subject to change without notice.