

Central Brass

COMPANY

Brecksville, Ohio 44141

Phone: (216) 883-0220 Fax: (440) 526-5745

www.CentralBrass.com

MODEL NO. 1137-DA
1137-DA-Q 81137-DA
CENTERSET LAVATORY FITTING
with POP-UP DRAIN

O-Ring Compression

1137-DA

1/4-Turn Compression

1137-DA-Q

Ceramic Units

81137-DA

The lavatory centerset is designed with a solid cast brass body with shanks located on four inch centers for supply connections and mounting. The stems are all brass, with a double O-Ring seal and rubber seat washer (for compression stems) or ceramic sealing discs (for ceramic units). The canopy handles are zinc die cast with a chrome plated finish. The faucet body is polished and copper, nickel, and chrome plated. The faucet is fitted with a water saving aerator that limits the flow rate. The pop up drain is brass with a chrome plated finish. The stopper and guide assembly can be easily removed for cleaning.

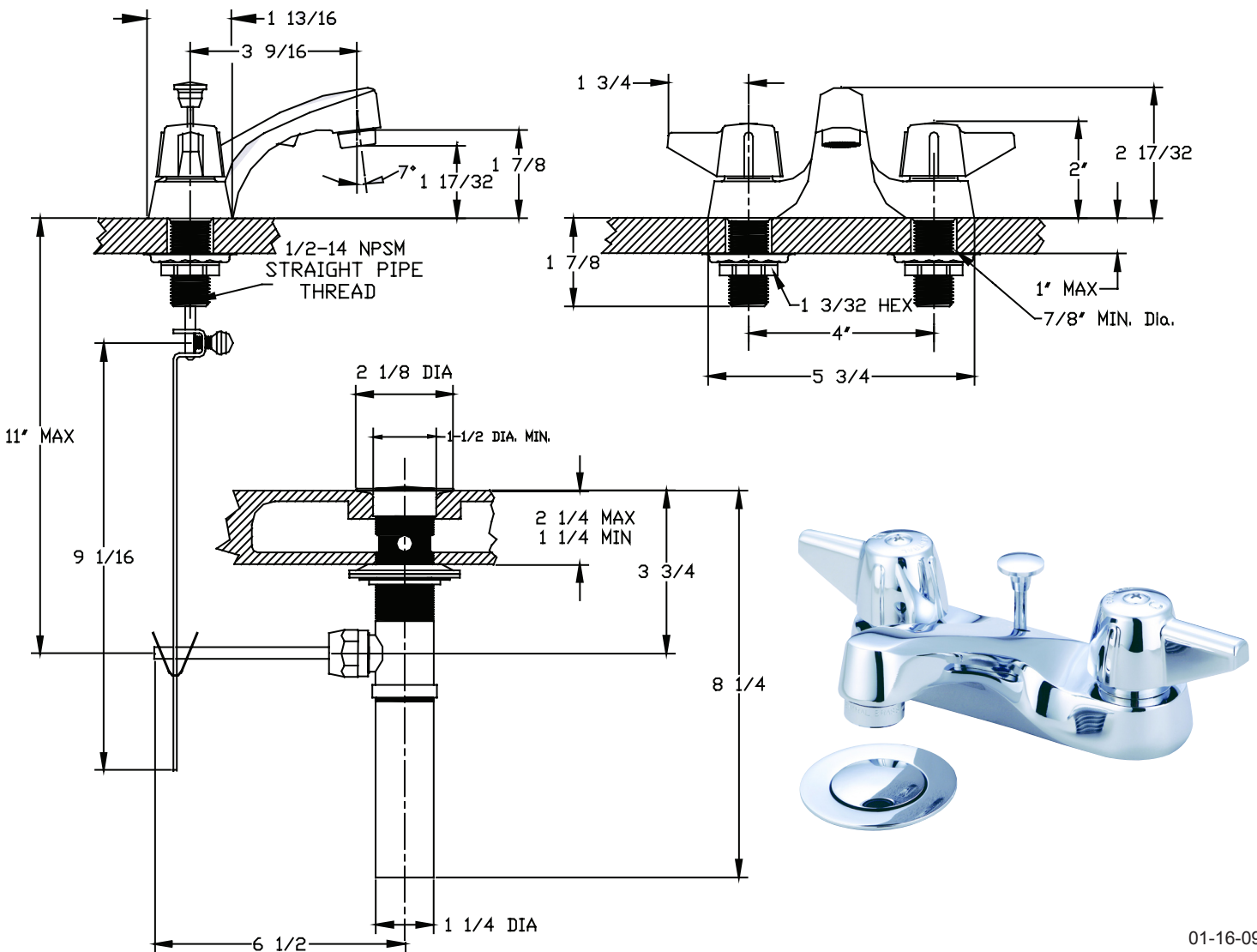
Flow Rate: 2.0 GPM @ 60 psi

ADA Compliant and Meets ASME A112.18.1M

Certified by IAPMO R&T to NSF/ANSI 61



Installation Drawing



Central Brass

C O M P A N Y

Brecksville, Ohio 44141

Phone: (216) 883-0220 Fax: (440) 526-5745

www.CentralBrass.com

MODEL NO. 1137-DA
1137-DA-Q 81137-DA
CENTERSET LAVATORY FITTING
with POP-UP DRAIN

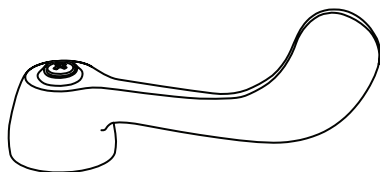
Handle variations available



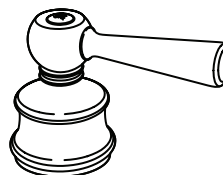
Faucets with lever, wrist or elbow handles with compression or ceramic stem cartridges are ADA compliant.

Prefix
10, 18, 20, 28
Villager Lever

ELS - Suffix
Wrist 4-inch
EL - Suffix
Elbow 6-inch



G-4147 (4-inch)
G-4149 (6-inch)



K-512-02 (chrome)
K-512-15 (white)

■ If faucet has lever handles, use one Hot and one Cold stem assemblies

Central Brass

COMPANY

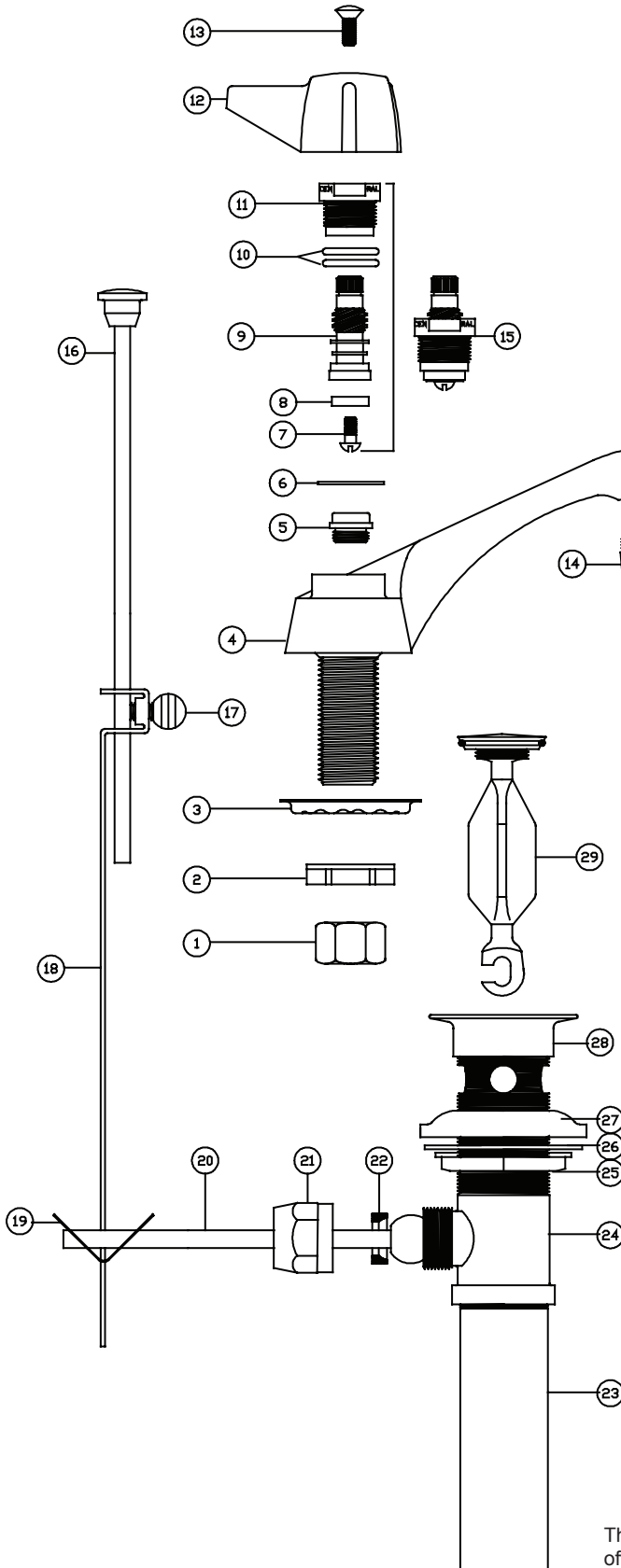
Brecksville, Ohio 44141

Phone: (216) 883-0220 Fax: (440) 526-5745

www.CentralBrass.com

MODEL NO. 1137-DA
1137-DA-Q 81137-DA
CENTERSET LAVATORY FITTING
with POP-UP DRAIN

Parts Breakdown



#	Part #	Description
1	4015-BAR	Brass Coupling Nut
2	7133-AZ	Zinc Dichromate Locknut
3	54	Steel Crowfoot Washer
4	2143-1137	Brass Faucet Body
5	263-BC	Bronze Seat
6	1028-Y	Nylon Gasket
7	104	Brass Seat Washer Screw
8	901-WNN	Seat Washer
9	453-FL	Brass Left Thread O-Ring Stem
9	453-FR	Brass Right Thread O-Ring Stem
10	1038-453	O-Ring
11	453-EWC	Brass Left Thread O-Ring Bonnet
11	453-EWH	Brass Right Thread O-Ring Bonnet
12	523-C	Handle Indexed "C"
12	523-H	Handle Indexed "H"
13	107-F	Brass Phillips Head Screw
14	30-L	Male Aerator
15	SU-453-EL	Left Thread O-Ring Stem Assembly
15	SU-453-ER	Right Thread O-Ring Stem Assembly
16	SU-195-BT9	Brass Pull Rod
17	113-PTS	Steel Screw
18	PF-195	Steel Bucket
19	195-CT	Stainless Steel Clip
20	SU-195-SAT	Chrome Plated Lever Rod
21	192-NBB	Brass Nut
22	409-PT	Celcon Packing
23	707-T	Brass Tailpiece - 17 Gauge
24	2148-T1109	Brass Pop-Up Tee Body
25	2058-ST1109	Zinc Locknut
26	51-D1109	Steel Washer
27	994-1109	Rubber Washer
28	2056-SPT1109	Brass Flange
29	SU-2113-TT	Stopper & Guide

The parts listed in the parts breakdown above may not be offered separately as replacement parts. Please review the Replacement Parts page for the authorized replacement parts that are available for this item.

Central Brass

COMPANY

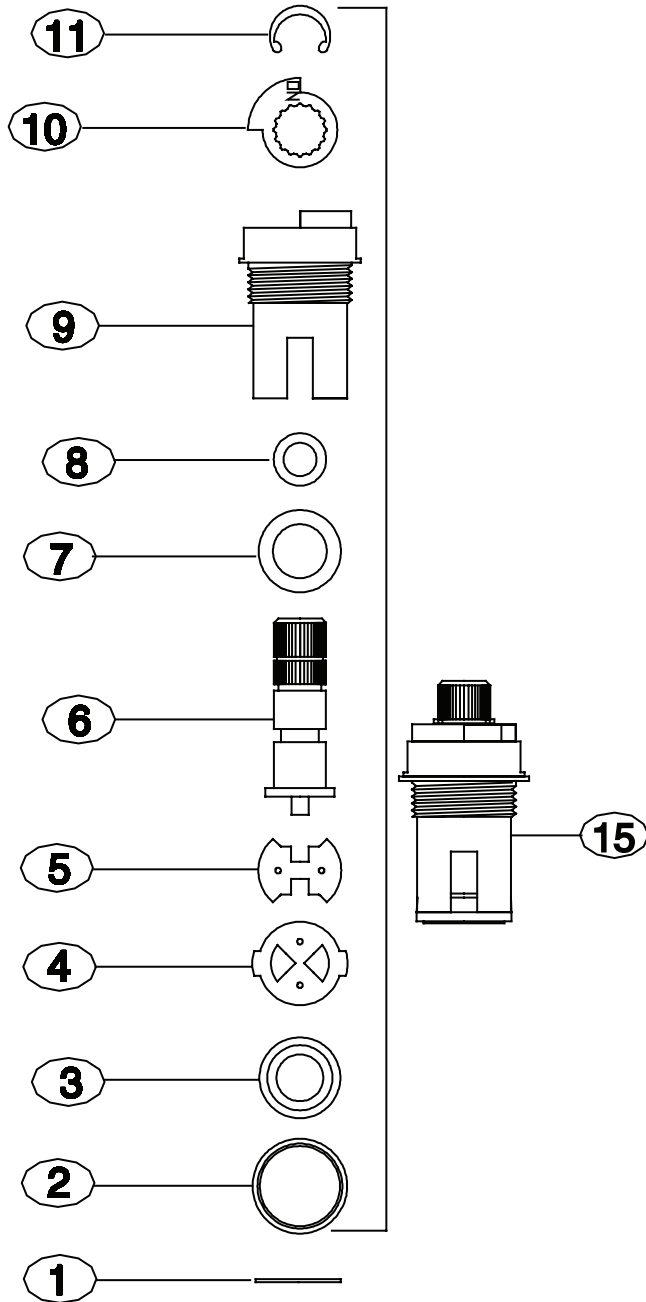
Brecksville, Ohio 44141

Phone: (216) 883-0220 Fax: (440) 526-5745

www.CentralBrass.com

MODEL NO. 1137-DA
1137-DA-Q 81137-DA
CENTERSET LAVATORY FITTING
with POP-UP DRAIN

REPLACEMENT PARTS



81137-DA

Ceramic Stem Parts

replaces compression stem
K-453-C
K-453-H

#	Part #	Description
1	1028-Y	Nylon Gasket
2	184-A	Celcon Retainer
3	183-A	Rubber Seal
4	182	Ceramic Disc - Lower
5	181	Ceramic Disc - Upper
6	352-S	Brass Stem
7	180	Celcon Washer
8	1038-E14	O-Ring
9	352-B	Brass Bonnet
10	352-SS	Brass Stop
11	352-CR	Crescent Ring
15	SU-352-L	Left Thread Stem Assembly (for cold side)
15	SU-352-R	Right Thread Stem Assembly (for hot side)

* These items are not offered individually and must be purchased as a group or unit. Please contact Central Brass for more information.

■ If faucet has lever handles, use one Hot and one Cold stem assemblies