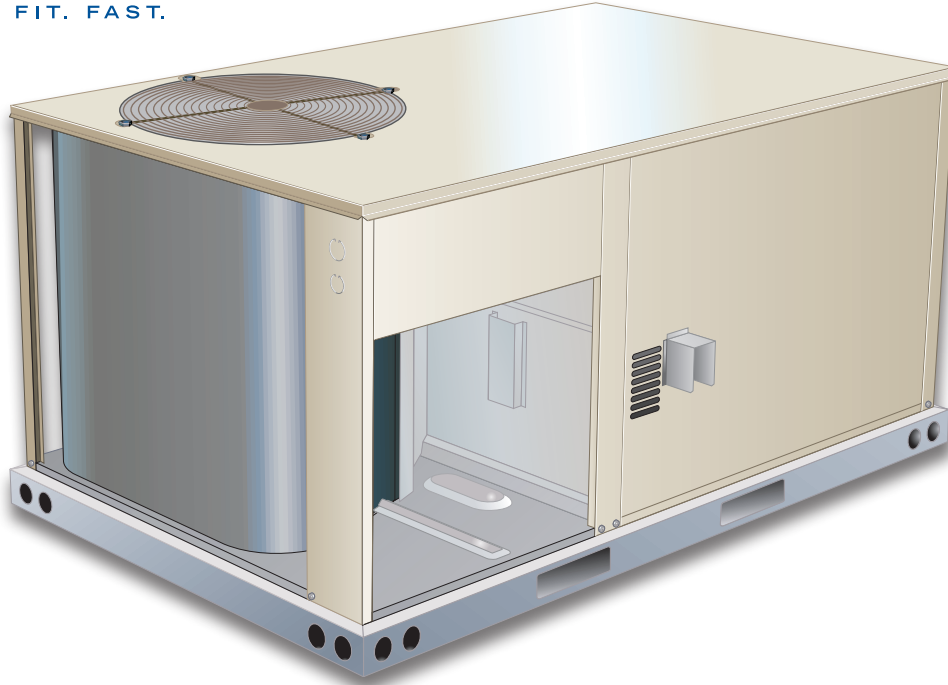


PRODUCT SPECIFICATIONS

Z-SERIES™
DESIGNED TO FIT. FAST.

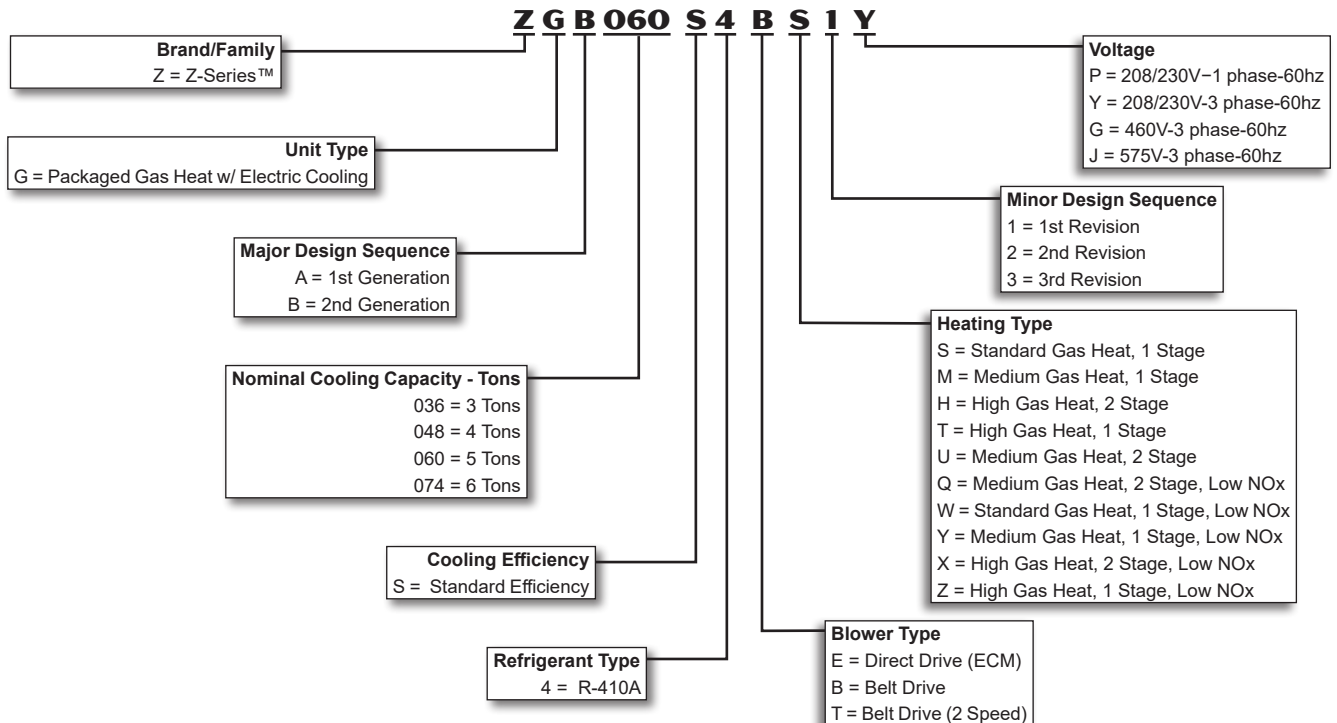


**ASHRAE 90.1
COMPLIANT**

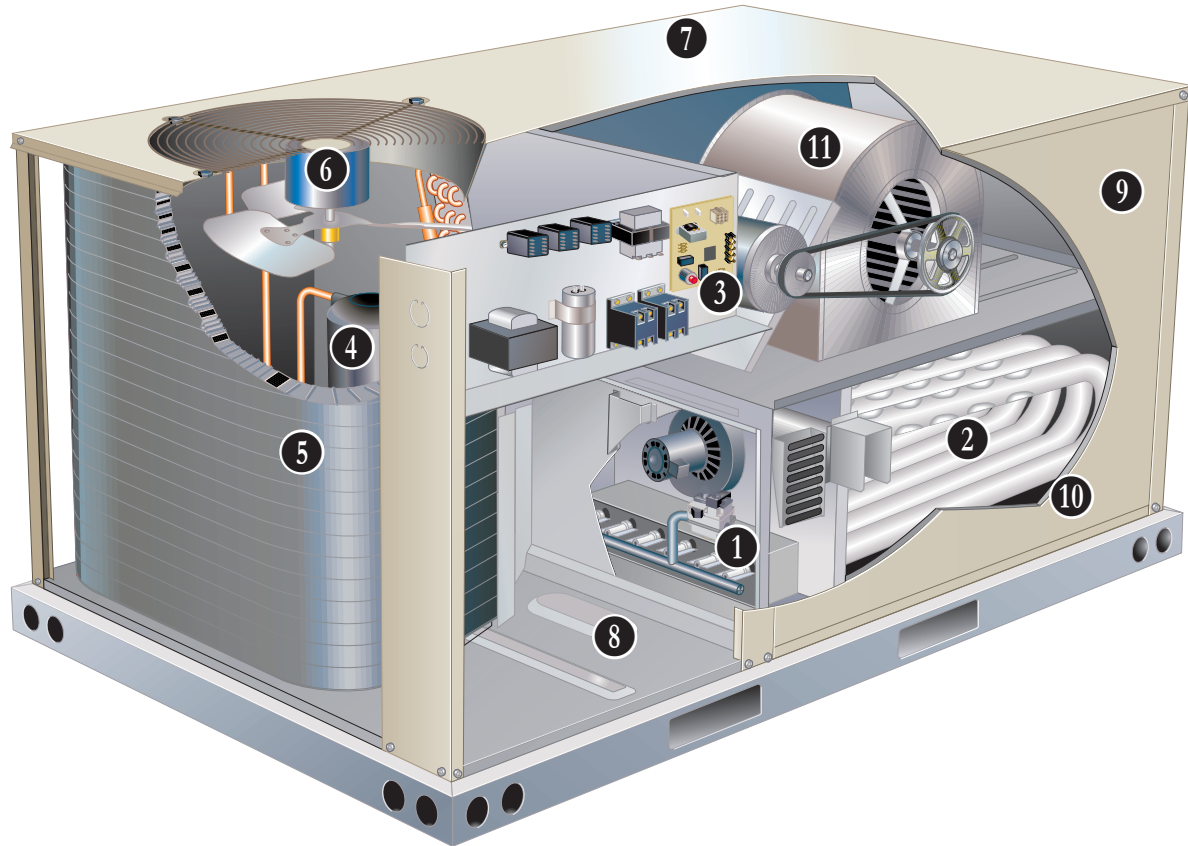
3 to 6 Tons

**Net Cooling Capacity – 35,000 to 67,000 Btuh
Gas Input Heat Capacity – 65,000 to 150,000 Btuh**

MODEL NUMBER IDENTIFICATION



FEATURES AND BENEFITS



Z-Series rooftop units from Allied are the new standard for cost efficient, reliable rooftop units built for long-lasting performance that can significantly improve indoor environments. Z-Series rooftop units feature:

- **Quick and Easy Retrofit** - Fast installation for replacement of many existing rooftop units - fits high volume competitor's roof curbs.
- **R-410A Refrigerant** - Environmentally friendly.
- **Single Speed Scroll Compressor** - Furnished on 036 through 060 models.
- **Two-Stage Scroll Compressor** - Furnished on 074 models. Allows rooftop units to deliver just the necessary amount of cooling needed to meet the space's demand.
- **Eco-Last™ Coil System** - Smaller, lighter condenser coil.
- **High Pressure Switch** - Protects compressor.
- **Direct Drive (ECM) or Belt Drive Blower Motors** - Multi-tap ECM direct drive motors (all 036 thru 060 models). Belt drive motors (036 thru 074 3ph models). Two-speed belt drive motor (low static/high static) 074 models maximizes air performance.
- **Downflow or Horizontal Airflow** - Easy field conversion.
- **Two Fork Lift Slots on Three Sides** - Easy to pick up and transport units from almost any angle.
- **Corrosion-Resistant Drain Pan** - Provides application flexibility, durability and improved serviceability.
- **Common Components** - Many maintenance items are standard throughout the entire product line, reducing the need to carry different parts to the job or maintain in inventory.

FEATURES AND BENEFITS

CONTENTS

Blower Data	17
Dimensions - Accessories	37
Dimensions - Unit	36
Electrical Data	30
Features And Benefits	2
High Altitude Derate.	14
Model Number Identification	1
Optional Conventional Temperature Control Systems	34
Options / Accessories	9
Outdoor Sound Data	28
Ratings	15
Specifications - Belt Drive Models	12
Specifications - Direct Drive Models	11
Specifications - Low NOx Gas Heat - Single And Three Phase Models	14
Specifications - Standard Gas Heat - Three Phase Models	14
Unit Clearances	33
Weight Data	35

APPROVALS

AHRI Certified to AHRI Standard 210/240 (3 thru 5 ton models) and AHRI Standard 340/360 (6 ton models). CSA listed.

CSA listed.

Units are Certified by CSA.

Components bonded for grounding to meet safety standards for servicing required by UL, ULC and National and Canadian Electrical Codes.

All models are ASHRAE 90.1 compliant.

All models meet DOE 2018 energy efficiency standards.

ISO 9001 Registered Manufacturing Quality System.

Models equipped with low NOx gas heat meet the California Nitrogen Oxides (NOx) Standards that apply in the South Coast Air Quality Management District and the San Francisco Bay Area Air Quality Management District.

California Only

If installed in South Coast Air Quality Management District (SCAQMD) only:

This gas unit does not meet the SCAQMD Rule 1111 NOx emission limit (14 ng/J), and thus is subject to a mitigation fee of up to \$450. This furnace

is not eligible for the Clean Air Furnace Rebate Program: www.CleanAirFurnaceRebate.com.

If installed in San Joaquin Valley Air Pollution Control District (SJVAPCD) only:

This gas unit does not meet the SJVAPCD Rule 4905 NOx emission limit (14 ng/J), and thus is subject to a mitigation fee of up to \$450.

WARRANTY

Limited ten years aluminized heat exchanger.

Limited five years on compressors.

Limited three years on the Eco-Last™ Coil System.

Limited five years Optional High Performance Economizers.

Limited one year all other covered components.

HEATING SYSTEM

1 Aluminized steel inshot burners, direct spark ignition, electronic flame sensor, combustion air inducer, redundant automatic single or dual stage gas valve with manual shut-off.

2 Heat Exchanger

Tubular construction, aluminized steel, life cycle tested.

3 Electronic Pilot Ignition

Electronic spark igniter provides positive direct ignition of burners on each operating cycle. The system permits main gas valve to stay open only when the burners are proven to be lit. Should a loss of flame occur, the gas valve closes, shutting off the gas to the burners. Ignition module has LED to indicate status and aid in troubleshooting.

Watchguard circuit on module automatically resets ignition controls after one hour of continuous thermostat demand after unit lockout, eliminating nuisance service calls. Ignition control is factory installed in the controls section.

Limit Controls

Factory installed, redundant limit controls with fixed temperature setting.

Heat limit controls protect heat exchanger and other components from overheating.

Safety Switches

Flame roll-out switch, flame sensor and combustion air inducer proving switch protect system operation.

Low NOx Models

All models are available in low NOx (40 ng/J) versions.

FEATURES AND BENEFITS

HEATING SYSTEM (continued)

Required Selections

Gas Input Choice - Order one:

- Standard Gas Heat (1 Stage)
65,000 Btuh
- Medium Gas Heat (1 Stage)
108,000 Btuh
- Medium Gas Heat (2 Stage)
81,000/108,000 Btuh
- High Gas Heat (1 Stage)
150,000 Btuh
- High Gas Heat (2 Stage)
113,000/150,000 Btuh

Standard or Low NOx

Specify conventional gas heat or Low NOx (40 ng/J) option.

NOTE: All single phase models are Low NOx (40 ng/J) equipped.

Options/Accessories

Field Installed

LPG/Propane Kits

Conversion kit to field change over units from Natural Gas to LPG/Propane.

Vertical Vent Extension Kit

Use to exhaust flue gases vertically above unit. Required when unit vent is too close to fresh air intakes per building codes. The vent kit also prevents ice formation on intake louvers.

COOLING SYSTEM

Designed to maximize sensible and latent cooling performance at design conditions.

System can operate from 35°F to 125°F without any additional controls.

R-410A Refrigerant

Non-chlorine, ozone friendly, R-410A.

Unit is factory pre-charged with refrigerant. See Specifications Table.

4 Single Speed Scroll Compressor (036 through 060 Models)

Resiliently mounted on rubber grommets for quiet operation.

Scroll compressors for high performance, reliability and quiet operation.

Two-Stage Compressor (074 Models)

Two-stage scroll compressors for increased part load efficiency, high performance, reliability and quiet operation.

Resiliently mounted on rubber grommets for quiet operation.

Compressor Crankcase Heater

Protects against refrigerant migration that can occur during low ambient operation.

Refrigerant Metering Orifice (036 to 060 Models)

Accurately meters refrigerant in system.

Refrigerant control is accomplished by exact sizing of refrigerant metering orifice.

Thermal Expansion Valve (074 Models)

Assures optimal performance throughout the application range.

Removable element head.

High Pressure Switch

Protects the compressor from overload conditions such as dirty condenser coils, blocked refrigerant flow, or loss of outdoor fan operation.

Automatic reset.

Filter/Drier

High capacity filter/drier protects the system from dirt and moisture.

5 Eco-Last™ Coil System

Condenser coil features lightweight, all aluminum brazed fin construction.

Constructed of three components:

a flat extrusion tube, fins in-between the flat extrusion tube and two refrigerant manifolds.

Eco-Last™ Coil System Features:

- Improved heat transfer performance due to high primary surface area (flat tubes) versus secondary surface (fins).
- Smaller internal volume (reduced refrigerant charge).
- High durability (all aluminum construction).
- Fewer brazed joints.
- Compact design (reduces unit weight).
- Easy maintenance/cleaning.

Mounting brackets with rubber inserts secure coil to unit providing vibration dampening and corrosion protection.

Evaporator Coil

Copper tube construction, enhanced rippled-edge aluminum fins, flared shoulder tubing connections, silver soldered construction for improved heat transfer. Factory leak tested. Cross row circuiting with rifled tubing optimizes both sensible and latent cooling capacity.

Condensate Drain Pan

Plastic pan, sloped to meet drainage requirements of ASHRAE 62.1.

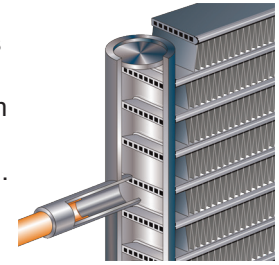
End drain connection.

6 Outdoor Coil Fan Motor

Thermal overload protected, totally enclosed, permanently lubricated bearings, shaft down, fan guard mount.

Outdoor Coil Fan Guard

PVC coated fan guard furnished.



FEATURES AND BENEFITS

COOLING SYSTEM **(continued)**

Required Selections

Cooling Capacity

Specify nominal cooling capacity of the unit.

Options/Accessories

Field Installed

Condensate Drain Trap

Field installed only.

Available in copper or PVC.

Drain Pan Overflow Switch

Monitors condensate level in drain pan, shuts down unit if drain becomes clogged.

Low Ambient Kit

Cycles the outdoor fan while allowing compressor operation in the cooling cycle. This intermittent fan operation allows the system to operate without icing the evaporator coil and losing capacity. Designed for use in ambient temperatures no lower than 0°F. A crankcase heater must be installed on the compressor.

CABINET

7 Construction

Heavy-gauge steel panels and full perimeter heavy-gauge galvanized steel base rail provides structural integrity for transportation, handling, and installation.

Base rails have rigging holes

Three sides of the base rail have fork slots.

Raised edges around duct and power entry openings in the bottom of the unit provide additional protection against water entering the building.

Airflow Choice

Units are shipped in downflow (vertical) configuration, can be field converted to horizontal airflow configuration without the need of a kit.

8 Power Entry

Electrical lines can be brought through the unit base or through horizontal access knock-outs.

Optional Bottom Power Entry Kit is available.

9 Exterior Panels

Constructed of heavy-gauge, galvanized steel with a two-layer enamel paint finish.

10 Insulation

All panels adjacent to conditioned air are fully insulated with non-hygroscopic fiberglass insulation.

Access Panels

Access panels are provided for the compressor, heating, controls, blower and air filter/economizer section.

Options/Accessories

Factory Installed

Corrosion Protection

A completely flexible immersed coating with an electro-deposited dry film process. (AST ElectroFin E-Coat) Meets Mil Spec MIL-P-53084, ASTM B117 Standard Method Salt Spray Testing.

Indoor Corrosion Protection:

- Coated coil

Outdoor Corrosion Protection:

- Coated coil

Field Installed

Coil/Hail Guards

Constructed of heavy gauge steel, painted to match cabinet, helps protect outdoor coil from damage on all three sides of cabinet.

CONTROLS

Unit Control

All control voltage is provided via a 24V (secondary) transformer with inline fuse protection.

Heat/Cool Staging

Capable of up to 2 heat / 2 cool staging with a thermostat.

Night Setback Mode

Saves energy by closing outdoor air dampers and operating supply fan on thermostat demand only.

Smoke Detectors

NOTE - Smoke detectors are not available and must be field provided by installer.

FEATURES AND BENEFITS

11 **BLOWER**

A wide selection of supply air blower options are available to meet a variety of air flow requirements.

Motor

Multi-tap ECM direct drive motors are offered on 036, 048 and 060 208/230V-1 and 3ph models. Motor has nine speed taps to allow adjustment to meet cooling, heating, and ventilation needs at specified external static pressures.

Belt drive motors are offered on all models and are available in several different sizes to maximize air performance.

Two-speed belt drive motor (low static/high static) is available on 074 models.

Overload protected, equipped with ball bearings.

Supply Air Blower

Forward curved blades, blower wheel is statically and dynamically balanced.

Equipped with ball bearings and adjustable pulley (allows speed change).

Required Selections

Supply Air Blower

Specify direct drive ECM or belt drive motor.

For belt drive models, specify drive kit number when base unit is ordered. See Drive Kit Specifications table.

INDOOR AIR QUALITY

Air Filters

Disposable 2 inch filters furnished as standard.

Options/Accessories

Field Installed

Indoor Air Quality (CO₂) Sensor

Monitors CO₂ levels adjusts economizer dampers as needed for Demand Control Ventilation.

ELECTRICAL

Marked & Color-Coded Wiring

All electrical wiring is color-coded and marked to identify which components it is connecting.

Electrical Plugs

Positive connection electrical plugs are used to connect common accessories or maintenance parts for easy removal or installation.

Required Selections

Voltage Choice

Specify when ordering base unit.

ECONOMIZER OPTIONS

Factory or Field Installed

**Economizer (Downflow or Horizontal)
(Standard and High Performance Common Features)**

Outdoor Air Hood is furnished.

Economizer includes Barometric Relief Dampers with Exhaust Hood.

Barometric Relief Dampers allow relief of excess air, aluminum blade dampers prevent blow back and outdoor air infiltration during off cycle, bird screen furnished. Hood is furnished.

Single Sensible Temperature Control is furnished with the economizer

Outdoor air sensor enables Economizer if the outdoor temperature is less than the setpoint of the control.

Demand Control Ventilation (DCV) ready using optional CO₂ sensors.

NOTE - Horizontal Economizer is field installed only.

Standard Economizer Features (Not for Title 24)

Gear-driven action, return air and outdoor air dampers, plug-in connections to unit, neoprene seals, 24-volt, fully-modulating spring return motor.

Standard Economizer Control Module

The Standard Economizer Control Module can be adjusted to operate based on outdoor air temperatures.



Economizer Controls:

- Damper Minimum Position - Can be set lower than traditional minimum air requirements resulting in cost savings.
- IAQ Sensor - Signals dampers to modulate and maintain 55°F when CO₂ is higher than the CO₂ setpoint.

- Demand Control Ventilation (DCV) LED - A steady green Demand Control Ventilation LED indicates the IAQ reading is higher than setpoint and requires more fresh air.
- Free Cool LED - A steady green LED indicates outdoor air is suitable for free cooling.

Free Cooling runs when outdoor air temperature is lower than the set temperature on the economizer control.

NOTE: The Free Cooling default setting for outdoor air temperature sensor is 55°F.

High Performance Economizer Features

Approved for California Title 24 building standards.

Low leakage dampers are Air Movement and Control Association International (AMCA) Class 1A Certified - Maximum 3 CFM per sq. ft. leakage at 1 in. w.g.

ASHRAE 90.1-2010 compliant. Gear-driven action, high torque 24-volt fully-modulating spring return damper motor, return air and outdoor air dampers, plug-in connections to unit, nylon bearings, enhanced neoprene blade edge seals and flexible stainless steel jamb seals to minimize air leakage.

NOTE - High Performance Economizers are not approved for use with enthalpy controls in Title 24 applications.

High Performance Economizer Control Module

Module provides inputs and outputs to control economizer based on parameter settings.



Module automatically detects sensors by polling to determine which sensors are installed in system.

Module displays any alarm messages (fault detection and diagnostics) as an aid in troubleshooting.

Non-volatile memory retains parameter settings in case of power failure.

Keypad with four navigation buttons and LCD screen is furnished for setting economizer parameters.

- Menu Up/Exit (↑) button returns to the main menu.
- Arrow Up (▲) button moves to the previous or next parameter within the selected menu.
- Arrow Down (▼) button moves to the next parameter within the selected menu.
- Select (enter) (↵) button confirms parameter selection.

Main Menu Structure:

- STATUS (economizer and system operation status)
- SETPOINTS (settings for various setpoint parameters)
- SYSTEM SETUP (settings/information about the system)
- ADVANCED SETUP (freeze protection, CO₂ settings, stage 3 delay and additional calibration settings)
- CHECKOUT (damper positions)
- ALARMS (output signal that can be configured for remote alarm monitoring)

NOTE - The Free Cooling setpoint for Title 24 applications must be set based on the Climate Zone where the system is installed. See Section 140.4 "Prescriptive Requirements for Space Conditioning Systems" of the California Energy Commission's 2013 Building Energy Efficiency Standards.

Refer to Installation Instructions for complete setup information and menu parameters available.

Field Installed

Single Enthalpy Temperature Control (Not for Title 24)

Outdoor air enthalpy sensor enables Economizer if the outdoor enthalpy is less than the setpoint of the control.

OPTIONS / ACCESSORIES

EXHAUST OPTIONS

Field Installed

Power Exhaust Fan - Downflow or Horizontal

Installs external to unit for applications with Economizer option. Provides exhaust air pressure relief. Interlocked to run when supply air blower is operating, fan runs when outdoor air dampers are 50% open (adjustable), motor is overload protected.

Fan is 12 in. diameter with 5 fan blades. 1/2 hp motor.

OUTDOOR AIR OPTIONS

Field Installed

Outdoor Air Dampers - Downflow

Single blade damper, 0 to 25% (fixed) outdoor air adjustable, installs in unit.

Automatic model features fully modulating spring return damper motor with plug-in connection.

Manual model features a slide damper. Maximum mixed air temperature in cooling mode: 100°F.

Outdoor Air Hood is furnished.

ROOF CURBS

Hybrid Roof Curbs, Downflow

Nailer strip furnished, mates to unit, US National Roofing Contractors Approved, shipped knocked down.

Roof curb can be assembled using interlocking tabs to fasten corners together. No tools required.

Curb can also be fastened together with furnished hardware.

Available in 8, 14, 18, and 24 inch heights.

Adaptor Curbs (not shown)

Curbs are regionally sourced. Dimensions will vary based upon the source. Contact your local sales representative for a detailed cut sheet with applicable dimensions.

CEILING DIFFUSERS

Ceiling Diffusers (Flush and Step-Down)

Diffuser face and grilles with white powder coat finish, insulated (UL listed duct liner), diffuser box with collars for duct connection, fixed blades (flush diffusers) and double deflection blades (step-down diffusers), provisions for suspending, internally sealed (prevents recirculation), removable return air grille, adapts to T-bar ceiling grids or plaster ceilings.

Transitions (Supply and Return)

NOTE - Ceiling Diffuser Transitions are not furnished and must be field fabricated.

OPTIONS / ACCESSORIES

Item	Catalog No.	Unit Model No.				
		ZGB 036	ZGB 048	ZGB 060	ZGB 074	
COOLING SYSTEM						
Condensate Drain Trap	PVC - C1TRAP20AD2	76W26	X	X	X	X
	Copper - C1TRAP10AD2	76W27	X	X	X	X
Drain Pan Overflow Switch	Z1SNSR90A1	99W59	X	X	X	X
Low Ambient Kit	Z1SNSR33A-1	99W67	X	X	X	X
HEATING SYSTEM						
Gas Heat Input	Standard One-Stage - 65 kBtuh input	Factory	O	O	¹ O	O
	Medium Two-Stage - 108 kBtuh input	Factory	O	O	¹ O	O
	Medium Two-Stage - 81/108 kBtuh input	Factory	¹ O	¹ O	O	O
	High One-Stage - 150 kBtuh input	Factory		¹ O	¹ O	O
	High Two-Stage - 113/150 kBtuh input	Factory		¹ O	O	O
LPG/Propane Conversion Kits	For One-Stage models - C1PROP10AP3	14N20	X	X	X	X
	For Two-Stage models - C1PROP20AP3	14N21	X	X	X	X
Vertical Vent Extension Kit	C1EXTN20FF1	31W62	X	X	X	X
BLOWER - SUPPLY AIR						
Motors	Direct Drive (ECM) - 0.50 hp (208/230V-1ph, 208/230V-3ph)	Factory	O			
	Direct Drive (ECM) - 0.75 hp (208/230V-1ph, 208/230V-3ph)	Factory		O		
	Direct Drive (ECM) - 1.0 hp (208/230V-1ph, 208/230V-3ph)	Factory			O	
	Belt Drive - 1 hp (208/230V, 460V, 575V-3ph) Standard Efficiency	Factory	O	O	O	
	Belt Drive - 1.5 hp (208/230V, 460V, 575V-3ph) Standard Efficiency	Factory	O	O	O	² O
	Belt Drive - 2 hp (208/230V, 460V, 575V-3ph) Standard Efficiency	Factory				² O
	Belt Drive - 2 hp (208/230V, 460V, 575V-3ph) (2 Speed)	Factory				³ O
Drive Kits See Blower Data Tables for selection	Kit #Z01 - 678-1035 rpm	Factory	O			
	Kit #Z02 - 803-1226 rpm	Factory		O		
	Kit #Z03 - 906-1383 rpm	Factory			O	
	Kit #Z04 - 964-1471 rpm	Factory	O			
	⁴ Kit #Z05 - 1098-1490 rpm	Factory		O		
	⁴ Kit #Z06 - 1262-1634 rpm	Factory			O	
	Kit #ZAA02 - 632-875 rpm	Factory				O
	Kit #ZAA03 - 798-1105 rpm	Factory				O
⁵ Kit #ZAA04 - 921-1226 rpm	Factory				O	
CABINET						
Coil/Hail Guards	Z1GARD52A-1	12X19	X	X		
	Z1GARD52AT1	12X20			X	X
Corrosion Protection	Factory		O	O	O	O
ELECTRICAL						
Voltage 60 hz	208/230V - 1 phase	Factory	O	O	O	
	208/230V - 3 phase	Factory	O	O	O	O
	460V - 3 phase	Factory	O	O	O	O
	575V - 3 phase	Factory	O	O	O	O
Bottom Power Entry Kit	Z1PEKT01A-1	98W08	X	X	X	X

¹ Three phase models only.

² 074S4B models only.

³ 074S4T models only.

⁴ 1.5 hp blower motor is required with the ZA05 and ZA06 drive kits.

⁵ 2 hp blower motor is required with the ZAA04 drive kit.

NOTE - The catalog and model numbers that appear here are for ordering field installed accessories only.

OX - Field Installed or Configure to Order (factory installed)

O - Configure to Order (Factory Installed)

X - Field Installed.

OPTIONS / ACCESSORIES

Item	Catalog No.	Unit Model No.				
		ZGB 036	ZGB 048	ZGB 060	ZGB 074	
ECONOMIZERS						
Standard Economizer With Outdoor Air Hood (Not for Title 24)						
Standard Economizer (Downflow) Includes Barometric Exhaust Dampers and Exhaust Hood	Z1ECON30A-2	14D94	OX	OX	OX	OX
Standard Economizer (Horizontal) Includes Barometric Exhaust Dampers and Exhaust Hood	Z1ECON16A-2	14D92	X	X	X	X
Standard Economizer Controls (Not for Title 24)						
Single Enthalpy Control	C1SNSR64FF1	53W64	X	X	X	X
High Performance Economizer With Outdoor Air Hood (Approved for California Title 24 Building Standards / AMCA Class 1A Certified)						
High Performance Economizer (Downflow) Includes Barometric Exhaust Dampers and Exhaust Hood	Z1ECON32A-2	14D95	OX	OX	OX	OX
High Performance Economizer (Horizontal) Includes Barometric Exhaust Dampers and Exhaust Hood	Z1ECON33A-2	14D93	X	X	X	X
High Performance Economizer Controls (Not for Title 24)						
Single Enthalpy Control	C1SNSR61FF1	11G21	X	X	X	X
OUTDOOR AIR						
Outdoor Air Dampers With Outdoor Air Hood						
Motorized	Z1DAMP21A-2	15D19	X	X	X	X
Manual	Z1DAMP11A-2	15D20	X	X	X	X
POWER EXHAUST FAN						
Standard Static (Downflow)	208/230V-1 or 3ph - Z1PWRE10A-1P	21E01	X	X	X	X
	460V-3ph - Z1PWRE10A-1G	23E01	X	X	X	X
Standard Static (Horizontal)	208/230V-1 or 3ph - Z1PWRE15A-1P	24E01	X	X	X	X
	460V-3ph - Z1PWRE15A-1G	28E01	X	X	X	X
575V Transformer Kit	575V-3ph - Z1TRFM20A-1J	59E02	X	X	X	X
NOTE - Order 575V Transformer Kit with 208/230V Power Exhaust Fan for 575V applications.						
INDOOR AIR QUALITY						
Indoor Air Quality (CO₂) Sensors						
Sensor - Wall-mount, off-white plastic cover with LCD display	C0SNSR50AE1L	77N39	X	X	X	X
Sensor - Wall-mount, black plastic case, no display, rated for plenum mounting	C0SNSR53AE1L	87N54	X	X	X	X
CO ₂ Sensor Duct Mounting Kit - for downflow applications	C0MISC19AE1	85L43	X	X	X	X
Aspiration Box - for duct mounting non-plenum rated CO ₂ sensor (77N39)	C0MISC16AE1	90N43	X	X	X	X
ROOF CURBS						
Hybrid Roof Curbs, Downflow						
8 in. height	Z1CURB70A-1	11F76	X	X	X	X
14 in. height	Z1CURB71A-1	11F77	X	X	X	X
18 in. height	Z1CURB72A-1	11F78	X	X	X	X
24 in. height	Z1CURB73A-1	11F79	X	X	X	X
CEILING DIFFUSERS						
Step-Down - Order one	RTD9-65S	13K60	X	X	X	
	RTD11-95S	13K61				X
Flush - Order one	FD9-65S	13K55	X	X	X	
	FD11-95S	13K56				X

NOTE - Ceiling Diffuser Transitions are not furnished and must be field fabricated.

NOTE - The catalog and model numbers that appear here are for ordering field installed accessories only.

OX - Field Installed or Configure to Order (factory installed)

O - Configure to Order (Factory Installed)

X - Field Installed.

SPECIFICATIONS - DIRECT DRIVE MODELS

General Data		Nominal Tonnage	3 Ton	4 Ton	5 Ton
		Model No.	ZGB036S4E	ZGB048S4E	ZGB060S4E
		Efficiency Type	Standard	Standard	Standard
		Blower Type	ECM Direct Drive	ECM Direct Drive	ECM Direct Drive
Cooling Performance	Gross Cooling Capacity - Btuh		36,200	46,700	58,300
	¹ Net Cooling Capacity - Btuh		35,000	45,500	57,000
	AHRI Rated Air Flow - cfm		1190	1380	1725
	² Sound Rating Number (SRN) (dBA)		78	80	78
	Total Unit Power - kW		3.0	4.1	5.1
	¹ SEER (Btuh/Watt)		14.00	14.00	14.00
	¹ EER (Btuh/Watt)		11.70	11.00	11.00
Refrigerant	Type		R-410A	R-410A	R-410A
	Charge Furnished		5 lbs. 2 oz.	5 lbs. 4 oz.	7 lbs. 5 oz.
Gas Heating Options - See page 14			Standard (1 Stage) or Medium (1 Stage)	Standard (1 Stage) or Medium (1 Stage)	Medium (2 Stage) or High (2 Stage)
Compressor Type (one per unit)			Scroll	Scroll	Scroll
Outdoor Coil	Net face area - sq. ft.		15.2	15.2	19.9
	Number of rows		1	1	1
	Fins / inch		23	23	23
Outdoor Coil Fan	Motor HP		(1) 1/4	(1) 1/4	(1) 1/4
	Motor rpm		825	825	825
	Total motor watts		310	310	310
	Diameter (No.) - in.		(1) 22	(1) 22	(1) 22
	Number of blades		4	4	4
	Total air volume - cfm		3700	3700	3700
Indoor Coil	Net face area - sq. ft.		8.40	8.4	10.8
	Tube diameter - in.		3/8	3/8	3/8
	Number of rows		3	3	3
	Fins per inch		14	14	14
	Drain Connection (no. and size) - in.		(1) 1 NPT	(1) 1 NPT	(1) 1 NPT
	Expansion device type		Fixed Orifice	Fixed Orifice	Fixed Orifice
³ Indoor Blower & Drive Selection	Nominal Motor HP		0.50 (ECM)	0.75 (ECM)	1 (ECM)
	Wheel nominal diameter x width - in.		10 x 10	10 x 10	11 x 10
Filters	Type		Disposable		
	Number and size - in.		(4) 14 x 20 x 2		(2) 16 x 20 x 2 (2) 20 x 20 x 2
Electrical Characteristics - 60 Hz			208/230V - 1ph 208/230V - 3ph	208/230V - 1 ph 208/230V - 3ph	208/230V - 1ph 208/230V - 3ph

NOTE - Net capacity includes evaporator blower motor heat deduction. Gross capacity does not include evaporator blower motor heat deduction.

¹ AHRI Certified to AHRI Standard 210/240: 95°F outdoor air temperature and 80°F db/67°F wb entering evaporator air; minimum external duct static pressure.

² Sound Rating Number (SRN) rated in accordance with test conditions included in ANSI/AHRI Standard 270-2008.

³ Using total air volume and system static pressure requirements determine from blower performance tables rpm and motor hp required. Maximum usable hp of motors furnished are shown. In Canada, nominal motor hp is also maximum usable motor hp output. If motors of comparable hp are used, be sure to keep within the service factor limitations outlined on the motor nameplate.

SPECIFICATIONS - BELT DRIVE MODELS

General Data		Nominal Tonnage	3 Ton	4 Ton	5 Ton
		Model No.	ZGB036S4B	ZGB048S4B	ZGB060S4B
		Efficiency Type	Standard	Standard	Standard
		Blower Type	Single Speed Belt Drive	Single Speed Belt Drive	Single Speed Belt Drive
Cooling Performance	Gross Cooling Capacity - Btuh		36,200	46,700	58,300
	¹ Net Cooling Capacity - Btuh		35,000	45,500	57,000
	AHRI Rated Air Flow - cfm		1190	1380	1725
	² Sound Rating Number (SRN) (dBA)		78	80	78
	Total Unit Power - kW		3.0	4.1	5.1
	¹ SEER (Btuh/Watt)		14.00	14.00	14.00
	¹ EER (Btuh/Watt)		11.70	11.00	11.00
Refrigerant	Type		R-410A	R-410A	R-410A
	Charge Furnished		5 lbs. 2 oz.	5 lbs. 4 oz.	7 lbs. 5 oz.
Gas Heating Options - See page 14			Standard (1 Stage) or Medium (1 or 2 Stage)	Standard (1 Stage), Medium (1 or 2 Stage) or High (1 or 2 Stage)	
Compressor Type (one per unit)			Scroll	Scroll	Scroll
Outdoor Coil	Net face area - sq. ft.		15.2	15.2	19.9
	Number of rows		1	1	1
	Fins / inch		23	23	23
Outdoor Coil Fan	Motor HP		(1) 1/4	(1) 1/4	(1) 1/4
	Motor rpm		825	825	825
	Total motor watts		310	310	310
	Diameter (No.) - in.		(1) 22	(1) 22	(1) 22
	Number of blades		4	4	4
	Total air volume - cfm		3700	3700	3700
Indoor Coil	Net face area - sq. ft.		8.40	8.4	10.8
	Tube diameter - in.		3/8	3/8	3/8
	Number of rows		3	3	3
	Fins per inch		14	14	14
	Drain Connection (no. and size) - in.		(1) 1 NPT	(1) 1 NPT	(1) 1 NPT
	Expansion device type		Fixed Orifice	Fixed Orifice	Fixed Orifice
³ Indoor Blower & Drive Selection	Nominal Motor HP		1 hp, 1.5 hp	1 hp, 1.5 hp	1 hp, 1.5 hp
	Maximum Usable Motor HP		1.15 hp, 1.7 hp	1.15 hp, 1.7 hp	1.15 hp, 1.7 hp
	Available Drive Kits		Kit #ZA01 678-1035 rpm Kit #ZA04 964-1471 rpm	Kit #ZA02 803-1226 rpm Kit #ZA05 1098-1490 rpm	Kit #ZA03 906-1383 rpm ⁴ Kit #ZA06 1262-1634 rpm
Wheel nominal diameter x width - in.			10 x 10	10 x 10	10 x 10
Filters	Type		Disposable		
	Number and size - in.		(4) 14 x 20 x 2		(2) 16 x 20 x 2 (2) 20 x 20 x 2
Electrical Characteristics - 60 Hz			208/230V - 3ph 460V - 3ph 575V - 3ph	208/230V - 3ph 460V - 3ph 575V - 3ph	208/230V - 3ph 460V - 3ph 575V - 3ph

NOTE - Net capacity includes evaporator blower motor heat deduction. Gross capacity does not include evaporator blower motor heat deduction.

¹ AHRI Certified to AHRI Standard 210/240: 95°F outdoor air temperature and 80°F db/67°F wb entering evaporator air; minimum external duct static pressure.

² Sound Rating Number (SRN) rated in accordance with test conditions included in ANSI/AHRI Standard 270-2008.

³ Using total air volume and system static pressure requirements determine from blower performance tables rpm and motor hp required. Maximum usable hp of motors furnished are shown. In Canada, nominal motor hp is also maximum usable motor hp output. If motors of comparable hp are used, be sure to keep within the service factor limitations outlined on the motor nameplate.

⁴ 1.5 hp motor is required with the ZA05 and ZA06 drive kits.

SPECIFICATIONS - BELT DRIVE MODELS
6 TON

General Data		Nominal Tonnage	6 Ton	6 Ton	
		Model No.	ZGB074S4B	ZGB074S4T	
		Efficiency Type	Standard	Standard	
		Blower Type	Single Speed Belt Drive	Two Speed Belt Drive	
Cooling Performance	Gross Cooling Capacity - Btuh		68,500	68,500	
	¹ Net Cooling Capacity - Btuh		67,000	67,000	
	AHRI Rated Air Flow - cfm		2200	2200	
	² Sound Rating Number (SRN) (dBA)		84	84	
	Total Unit Power - kW		6.0	6.0	
	¹ IEER (Btuh/Watt)		12.7	15.00	
	¹ EER (Btuh/Watt)		11.0	11.0	
Refrigerant	Type		R-410A	R-410A	
	Charge Furnished		7 lbs. 3 oz.	7 lbs. 3 oz.	
Gas Heating Options - See page 14			Standard (1 stage), Medium (1 or 2 stage) or High (1 or 2 stage)	Standard (1 stage), Medium (1 or 2 stage) or High (1 or 2 stage)	
Compressor Type (one per unit)			Two-Stage Scroll	Two-Stage Scroll	
Outdoor Coil	Net face area - sq. ft.		19.9	19.9	
	Number of rows		1	1	
	Fins / inch		23	23	
Outdoor Coil Fan	Motor HP		(1) 1/3	(1) 1/3	
	Motor rpm		1075	1075	
	Total motor watts		365	365	
	Diameter (No.) - in.		(1) 22	(1) 22	
	Number of blades		3	3	
	Total air volume - cfm		4270	4270	
Indoor Coil	Net face area - sq. ft.		10.8	10.8	
	Tube diameter - in.		3/8	3/8	
	Number of rows		3	3	
	Fins per inch		14	14	
	Drain Connection (no. and size) - in.		(1) 1 NPT	(1) 1 NPT	
	Expansion device type		Balance Port TXV, removable head	Balance Port TXV, removable head	
³ Indoor Blower & Drive Selection	Nominal Motor HP		1.5 hp, 2 hp	2 hp	
	Maximum Usable Motor HP		1.7 hp, 2.3 hp	2.3 hp	
	Available Drive Kits	ZAA02		632-875 rpm	632-875 rpm
		ZAA03		798-1105 rpm	798-1105 rpm
		ZAA04		921-1228 rpm	921-1228 rpm
Wheel nominal diameter x width - in.		15 x 9	15 x 9		
Filters	Type		Disposable	Disposable	
	Number and size - in.		(2) 16 x 20 x 2 (2) 20 x 20 x 2	(2) 16 x 20 x 2 (2) 20 x 20 x 2	
Electrical Characteristics - 60 Hz			208/230V - 3ph 460V - 3ph 575V - 3ph	208/230V - 3ph 460V - 3ph 575V - 3ph	

NOTE - Net capacity includes evaporator blower motor heat deduction. Gross capacity does not include evaporator blower motor heat deduction.

¹ AHRI Certified to AHRI Standard 340/360: 95°F outdoor air temperature and 80°F db/67°F wb entering evaporator air; minimum external duct static pressure.

² Sound Rating Number (SRN) rated in accordance with test conditions included in ANSI/AHRI Standard 270-2008.

³ Using total air volume and system static pressure requirements determine from blower performance tables rpm and motor hp required. Maximum usable hp of motors furnished are shown. In Canada, nominal motor hp is also maximum usable motor hp output. If motors of comparable hp are used, be sure to keep within the service factor limitations outlined on the motor nameplate.

SPECIFICATIONS - STANDARD GAS HEAT - THREE PHASE MODELS

Model No.	036, 048, 060	074	036, 048, 060	074	036, 048, 060	074	048, 060	074	048, 060	074
Heat Input Type	Standard (1 Stage)		Medium (1 Stage)		Medium (2 Stage)		High (1 Stage)		High (2 Stage)	
Input Btuh	1st Stage 65,000		108,000		81,000		150,000		113,000	
	2nd Stage ---		---		108,000		---		150,000	
Output Btuh	1st Stage 52,000		86,000		65,000		120,000		90,000	
	2nd Stage ---		---		86,000		---		120,000	
Temperature Rise Range - °F	1st stage 15 - 45	5 - 35	35 - 65	20 - 50	20 - 50	10 - 40	45 - 75	35 - 65	30 - 60	25 - 55
	2nd Stage ---	---	---	---	35 - 65	20 - 50	---	---	45 - 75	35 - 65
¹ Thermal Efficiency	Standard	80%	80%	80%	80%	80%	80%	80%	80%	80%
Gas Supply Connections	1/2 in. NPT									
Rec. Gas Supply Pressure - Nat./ LPG	7 in.w.g. / 11 in.w.g.									

¹ Thermal Efficiency at full input.

SPECIFICATIONS - LOW NOX GAS HEAT - SINGLE AND THREE PHASE MODELS

Model No.	036, 048, 060	074	036, 048, 060	074	036, 048, 060	074	048, 060	074	048, 060	074
Heat Input Type	Standard (1 Stage)		Medium (1 Stage)		Medium (2 Stage)		High (1 Stage)		High (2 Stage)	
Input Btuh	1st Stage 65,000		108,000		81,000		150,000		113,000	
	2nd Stage ---		---		108,000		---		150,000	
Output Btuh	1st Stage 52,000		87,000		66,000		121,000		92,000	
	2nd Stage ---		---		87,000		---		121,000	
Temperature Rise Range - °F	1st stage 15 - 45	5 - 35	35 - 65	20 - 50	20 - 50	10 - 40	45 - 75	35 - 65	30 - 60	25 - 55
	2nd Stage ---	---	---	---	35 - 65	20 - 50	---	---	45 - 75	35 - 65
¹ AFUE (single phase)	81%	---	81%	---	81%	---	81%	---	81%	---
² Thermal Efficiency (three phase)	81%	81%	81%	81%	81%	81%	81%	81%	81%	81%
Gas Supply Connections	1/2 in. NPT									
Rec. Gas Supply Pressure - Nat./ LPG	7 in.w.g. / 11 in.w.g.									

¹ Annual Fuel Utilization Efficiency based on U.S. DOE test procedures and FTC labeling regulations - 1 phase models only.

² Thermal Efficiency at full input.

HIGH ALTITUDE DERATE

NOTE - Units may be installed at altitudes up to 2000 ft. above sea level without any modifications. At altitudes above 2000 ft. units must be derated to match information in the table shown. At altitudes above 4500 ft. unit must be derated 2% for each 1000 ft. above sea level. NOTE - This is the only permissible derate for these units.	Heat Input Type	Altitude Feet	Gas Manifold Pressure in. w.g.		Input Rate (Btuh)
			Natural Gas	LPG/ Propane	
	Standard (1 stage)	2001 - 4500	3.0	9.0	60,000
	Medium (1 stage)	2001 - 4500	3.0	9.0	100,000
	Medium (2 stage)	2001 - 4500	3.0/1.7	9.0/5.1	100,000 / 75,000
	High (1 stage)	2001 - 4500	3.0	9.0	139,000
	High (2 stage)	2001 - 4500	3.0/1.7	9.0/5.1	139,000 / 104,000

RATINGS

NOTE – For Temperatures and Capacities not shown in tables, see bulletin – Cooling Unit Rating Table Correction Factor Data in Miscellaneous Engineering Data section.

3 TON STANDARD EFFICIENCY ZGB036S4

Entering Wet Bulb Temperature	Total Air Volume	Outdoor Air Temperature Entering Outdoor Coil																							
		85°F						95°F						105°F						115°F					
		Total Cool Cap.	Comp. Motor Input	Sensible To Total Ratio (S/T)			Total Cool Cap.	Comp. Motor Input	Sensible To Total Ratio (S/T)			Total Cool Cap.	Comp. Motor Input	Sensible To Total Ratio (S/T)			Total Cool Cap.	Comp. Motor Input	Sensible To Total Ratio (S/T)						
				Dry Bulb					Dry Bulb					Dry Bulb					Dry Bulb						
cfm	kBtuh	kW	75°F	80°F	85°F	kBtuh	kW	75°F	80°F	85°F	kBtuh	kW	75°F	80°F	85°F	kBtuh	kW	75°F	80°F	85°F					
63°F	960	34.5	2.06	0.70	0.84	0.99	32.4	2.31	0.71	0.86	1.00	30.2	2.60	0.73	0.90	1.00	27.7	2.94	0.75	0.94	1.00				
	1200	36.3	2.07	0.75	0.93	1.00	34.2	2.32	0.77	0.96	1.00	31.8	2.61	0.79	0.99	1.00	29.3	2.94	0.83	1.00	1.00				
	1440	37.8	2.07	0.80	1.00	1.00	35.6	2.33	0.83	1.00	1.00	33.5	2.62	0.86	1.00	1.00	30.9	2.95	0.91	1.00	1.00				
67°F	960	36.7	2.07	0.55	0.67	0.80	34.5	2.32	0.56	0.69	0.83	32.1	2.61	0.57	0.71	0.86	29.5	2.95	0.58	0.73	0.90				
	1200	38.6	2.08	0.58	0.73	0.89	36.2	2.33	0.59	0.75	0.92	33.6	2.62	0.60	0.77	0.95	30.8	2.95	0.62	0.81	1.00				
	1440	39.9	2.09	0.61	0.78	0.97	37.4	2.34	0.63	0.81	0.99	34.7	2.63	0.65	0.84	1.00	31.8	2.96	0.66	0.89	1.00				
71°F	960	38.7	2.08	0.42	0.54	0.65	36.5	2.33	0.41	0.54	0.67	34.0	2.62	0.41	0.55	0.69	31.3	2.95	0.42	0.57	0.71				
	1200	40.7	2.09	0.43	0.57	0.71	38.3	2.35	0.43	0.58	0.73	35.6	2.63	0.43	0.59	0.75	32.7	2.96	0.44	0.61	0.78				
	1440	42.1	2.10	0.45	0.60	0.76	39.6	2.35	0.44	0.61	0.78	36.9	2.64	0.45	0.64	0.82	33.7	2.97	0.46	0.65	0.86				

4 TON STANDARD EFFICIENCY ZGB048S4

Entering Wet Bulb Temperature	Total Air Volume	Outdoor Air Temperature Entering Outdoor Coil																							
		85°F						95°F						105°F						115°F					
		Total Cool Cap.	Comp. Motor Input	Sensible To Total Ratio (S/T)			Total Cool Cap.	Comp. Motor Input	Sensible To Total Ratio (S/T)			Total Cool Cap.	Comp. Motor Input	Sensible To Total Ratio (S/T)			Total Cool Cap.	Comp. Motor Input	Sensible To Total Ratio (S/T)						
				Dry Bulb					Dry Bulb					Dry Bulb					Dry Bulb						
cfm	kBtuh	kW	75°F	80°F	85°F	kBtuh	kW	75°F	80°F	85°F	kBtuh	kW	75°F	80°F	85°F	kBtuh	kW	75°F	80°F	85°F					
63°F	1280	45.2	2.93	0.72	0.85	0.99	43.8	3.30	0.74	0.88	1.00	42.3	3.74	0.76	0.91	1.00	40.6	4.25	0.79	0.95	1.00				
	1600	47.0	2.94	0.76	0.94	1.00	45.4	3.32	0.79	0.97	1.00	43.7	3.76	0.82	1.00	1.00	42.1	4.27	0.85	1.00	1.00				
	1920	48.3	2.96	0.82	1.00	1.00	46.8	3.34	0.85	1.00	1.00	45.3	3.78	0.88	1.00	1.00	43.6	4.30	0.92	1.00	1.00				
67°F	1280	47.3	2.95	0.58	0.69	0.82	45.7	3.33	0.59	0.71	0.84	44.1	3.76	0.61	0.74	0.88	42.4	4.28	0.63	0.76	0.92				
	1600	49.2	2.97	0.60	0.74	0.90	47.4	3.35	0.62	0.76	0.93	45.6	3.79	0.64	0.79	0.97	43.6	4.30	0.66	0.83	1.00				
	1920	50.4	2.98	0.63	0.79	0.98	48.5	3.36	0.65	0.82	1.00	46.6	3.8	0.67	0.86	1.00	44.3	4.32	0.70	0.90	1.00				
71°F	1280	49.2	2.97	0.45	0.56	0.67	47.6	3.35	0.45	0.57	0.69	45.8	3.79	0.47	0.59	0.71	44.0	4.31	0.49	0.62	0.74				
	1600	51.2	2.99	0.45	0.59	0.72	49.4	3.38	0.47	0.61	0.74	47.5	3.82	0.48	0.63	0.77	45.2	4.34	0.50	0.65	0.80				
	1920	52.7	3.01	0.46	0.62	0.77	50.6	3.39	0.48	0.64	0.80	48.6	3.84	0.50	0.66	0.83	46.3	4.36	0.52	0.69	0.88				

5 TON STANDARD EFFICIENCY ZGB060S4

Entering Wet Bulb Temperature	Total Air Volume	Outdoor Air Temperature Entering Outdoor Coil																							
		85°F						95°F						105°F						115°F					
		Total Cool Cap.	Comp. Motor Input	Sensible To Total Ratio (S/T)			Total Cool Cap.	Comp. Motor Input	Sensible To Total Ratio (S/T)			Total Cool Cap.	Comp. Motor Input	Sensible To Total Ratio (S/T)			Total Cool Cap.	Comp. Motor Input	Sensible To Total Ratio (S/T)						
				Dry Bulb					Dry Bulb					Dry Bulb					Dry Bulb						
cfm	kBtuh	kW	75°F	80°F	85°F	kBtuh	kW	75°F	80°F	85°F	kBtuh	kW	75°F	80°F	85°F	kBtuh	kW	75°F	80°F	85°F					
63°F	1600	58.1	3.63	0.74	0.88	0.99	53.4	4.08	0.74	0.89	1.00	48.4	4.61	0.75	0.91	1.00	43.0	5.23	0.76	0.94	1.00				
	2000	61.8	3.65	0.80	0.95	1.00	56.8	4.10	0.81	0.97	1.00	51.6	4.64	0.82	0.99	1.00	46.1	5.27	0.84	1.00	1.00				
	2400	64.8	3.66	0.85	1.00	1.00	59.9	4.12	0.86	1.00	1.00	54.9	4.67	0.89	1.00	1.00	49.7	5.32	0.91	1.00	1.00				
67°F	1600	62.7	3.65	0.57	0.72	0.85	57.8	4.11	0.56	0.72	0.86	52.6	4.65	0.55	0.73	0.88	47.0	5.28	0.54	0.74	0.91				
	2000	66.6	3.67	0.61	0.78	0.92	61.4	4.14	0.61	0.79	0.94	55.8	4.68	0.60	0.81	0.96	49.6	5.31	0.60	0.83	0.99				
	2400	69.3	3.69	0.65	0.83	0.98	63.7	4.16	0.65	0.85	1.00	58.0	4.71	0.66	0.87	1.00	51.7	5.35	0.66	0.90	1.00				
71°F	1600	67.2	3.67	0.42	0.56	0.70	62.1	4.14	0.40	0.55	0.70	56.8	4.69	0.38	0.55	0.71	50.8	5.33	0.35	0.54	0.72				
	2000	71.2	3.70	0.43	0.60	0.76	65.9	4.17	0.42	0.60	0.77	60.0	4.72	0.40	0.60	0.79	53.8	5.37	0.39	0.60	0.81				
	2400	74.3	3.72	0.45	0.64	0.82	68.4	4.19	0.44	0.65	0.83	62.4	4.75	0.43	0.65	0.85	56.0	5.40	0.42	0.66	0.88				

RATINGS

NOTE – For Temperatures and Capacities not shown in tables, see bulletin – Cooling Unit Rating Table Correction Factor Data in Miscellaneous Engineering Data section.

6 TON STANDARD EFFICIENCY ZGB074S4B (1ST STAGE)

Entering Wet Bulb Temperature	Total Air Volume	Outdoor Air Temperature Entering Outdoor Coil																			
		65°F					75°F					85°F					95°F				
		Total Cool Cap.	Comp. Motor Input	Sensible To Total Ratio (S/T)			Total Cool Cap.	Comp. Motor Input	Sensible To Total Ratio (S/T)			Total Cool Cap.	Comp. Motor Input	Sensible To Total Ratio (S/T)			Total Cool Cap.	Comp. Motor Input	Sensible To Total Ratio (S/T)		
				Dry Bulb					Dry Bulb					Dry Bulb					Dry Bulb		
cfm	kBtuh	kW	75°F	80°F	85°F	kBtuh	kW	75°F	80°F	85°F	kBtuh	kW	75°F	80°F	85°F	kBtuh	kW	75°F	80°F	85°F	
63°F	1920	60.9	2.27	0.77	0.93	1	57.4	2.59	0.78	0.96	1	53.8	2.96	0.79	0.98	1	49.9	3.37	0.8	1	1
	2400	64.5	2.26	0.83	1	1	61.3	2.58	0.84	1	1	57.8	2.95	0.86	1	1	54.1	3.37	0.89	1	1
	2880	68.3	2.25	0.9	1	1	64.8	2.58	0.92	1	1	61.1	2.95	0.95	1	1	57.2	3.37	0.98	1	1
67°F	1920	65.5	2.26	0.59	0.74	0.9	61.9	2.58	0.59	0.75	0.92	58	2.95	0.6	0.76	0.94	53.8	3.37	0.6	0.78	0.97
	2400	68.7	2.25	0.63	0.81	0.99	64.8	2.58	0.64	0.82	1	60.7	2.95	0.64	0.84	1	56.3	3.37	0.65	0.86	1
	2880	71	2.24	0.67	0.87	1	66.9	2.57	0.68	0.89	1	62.7	2.94	0.69	0.92	1	58.1	3.37	0.7	0.95	1
71°F	1920	69.9	2.25	0.44	0.58	0.72	66.1	2.57	0.43	0.58	0.73	62.2	2.95	0.43	0.59	0.74	57.9	3.37	0.42	0.59	0.76
	2400	73.4	2.24	0.45	0.62	0.78	69.3	2.56	0.45	0.63	0.8	65.2	2.94	0.44	0.64	0.81	60.7	3.36	0.44	0.65	0.84
	2880	75.9	2.23	0.47	0.67	0.84	71.7	2.56	0.47	0.67	0.86	67.3	2.93	0.46	0.68	0.89	62.4	3.36	0.47	0.69	0.92

6 TON STANDARD EFFICIENCY ZGB074S4B (2ND STAGE)

Entering Wet Bulb Temperature	Total Air Volume	Outdoor Air Temperature Entering Outdoor Coil																			
		85°F					95°F					105°F					115°F				
		Total Cool Cap.	Comp. Motor Input	Sensible To Total Ratio (S/T)			Total Cool Cap.	Comp. Motor Input	Sensible To Total Ratio (S/T)			Total Cool Cap.	Comp. Motor Input	Sensible To Total Ratio (S/T)			Total Cool Cap.	Comp. Motor Input	Sensible To Total Ratio (S/T)		
				Dry Bulb					Dry Bulb					Dry Bulb					Dry Bulb		
cfm	kBtuh	kW	75°F	80°F	85°F	kBtuh	kW	75°F	80°F	85°F	kBtuh	kW	75°F	80°F	85°F	kBtuh	kW	75°F	80°F	85°F	
63°F	1920	66.9	4.14	0.71	0.87	1.00	62.5	4.68	0.72	0.89	1.00	57.7	5.29	0.74	0.92	1.00	52.6	5.99	0.76	0.96	1.00
	2400	70.5	4.18	0.77	0.96	1.00	65.7	4.71	0.79	0.98	1.00	61.0	5.33	0.81	1.00	1.00	56.1	6.03	0.84	1.00	1.00
	2880	73.4	4.21	0.83	1.00	1.00	69.1	4.75	0.85	1.00	1.00	64.5	5.37	0.88	1.00	1.00	59.4	6.07	0.92	1.00	1.00
67°F	1920	71.5	4.19	0.55	0.69	0.83	66.9	4.72	0.55	0.70	0.85	61.8	5.34	0.56	0.72	0.88	56.6	6.04	0.56	0.73	0.92
	2400	75.3	4.23	0.59	0.75	0.92	70.3	4.76	0.59	0.77	0.95	64.9	5.37	0.60	0.79	0.98	59.5	6.07	0.61	0.82	1.00
	2880	77.9	4.26	0.62	0.81	0.99	72.6	4.79	0.63	0.83	1.00	67.0	5.40	0.64	0.86	1.00	61.3	6.09	0.66	0.90	1.00
71°F	1920	75.8	4.23	0.41	0.54	0.67	71.2	4.77	0.41	0.54	0.68	66.0	5.38	0.40	0.55	0.69	60.5	6.08	0.39	0.55	0.71
	2400	79.8	4.28	0.43	0.58	0.73	74.6	4.82	0.42	0.59	0.74	69.4	5.43	0.41	0.59	0.76	63.6	6.13	0.41	0.61	0.79
	2880	82.7	4.32	0.44	0.62	0.79	77.4	4.85	0.44	0.63	0.81	71.6	5.46	0.44	0.64	0.84	65.7	6.16	0.44	0.66	0.87

6 TON STANDARD EFFICIENCY ZGB074S4T (1ST STAGE)

Entering Wet Bulb Temperature	Total Air Volume	Outdoor Air Temperature Entering Outdoor Coil																			
		65°F					75°F					85°F					95°F				
		Total Cool Cap.	Comp. Motor Input	Sensible To Total Ratio (S/T)			Total Cool Cap.	Comp. Motor Input	Sensible To Total Ratio (S/T)			Total Cool Cap.	Comp. Motor Input	Sensible To Total Ratio (S/T)			Total Cool Cap.	Comp. Motor Input	Sensible To Total Ratio (S/T)		
				Dry Bulb					Dry Bulb					Dry Bulb					Dry Bulb		
cfm	kBtuh	kW	75°F	80°F	85°F	kBtuh	kW	75°F	80°F	85°F	kBtuh	kW	75°F	80°F	85°F	kBtuh	kW	75°F	80°F	85°F	
63°F	1200	50.3	2.24	0.67	0.79	0.92	47.3	2.56	0.67	0.8	0.94	44.2	2.91	0.67	0.82	0.96	40.7	3.32	0.68	0.83	0.99
	1600	55	2.24	0.73	0.88	1	51.6	2.55	0.74	0.9	1	48.1	2.91	0.74	0.92	1	44.3	3.32	0.76	0.95	1
	2000	58.1	2.23	0.79	0.97	1	54.6	2.55	0.8	0.99	1	51	2.91	0.81	1	1	47.5	3.32	0.84	1	1
67°F	1200	54.1	2.24	0.53	0.65	0.76	51	2.56	0.53	0.65	0.77	47.7	2.91	0.52	0.65	0.78	44.1	3.32	0.52	0.65	0.79
	1600	59	2.23	0.57	0.7	0.84	55.6	2.55	0.57	0.71	0.86	51.9	2.91	0.56	0.72	0.88	48	3.32	0.57	0.73	0.91
	2000	62.4	2.22	0.6	0.76	0.93	58.7	2.54	0.61	0.77	0.95	54.8	2.91	0.61	0.79	0.97	50.7	3.32	0.61	0.81	1
71°F	1200	57.8	2.23	0.41	0.52	0.62	54.6	2.55	0.4	0.52	0.62	51.2	2.91	0.39	0.51	0.63	47.5	3.32	0.37	0.51	0.63
	1600	63.1	2.22	0.43	0.55	0.68	59.5	2.54	0.42	0.56	0.69	55.7	2.91	0.41	0.56	0.7	51.8	3.32	0.4	0.56	0.71
	2000	66.6	2.21	0.44	0.59	0.74	62.9	2.54	0.44	0.6	0.75	58.8	2.9	0.43	0.6	0.76	54.5	3.31	0.43	0.6	0.78

6 TON STANDARD EFFICIENCY ZGB074S4T (2ND STAGE)

Entering Wet Bulb Temperature	Total Air Volume	Outdoor Air Temperature Entering Outdoor Coil																			
		85°F					95°F					105°F					115°F				
		Total Cool Cap.	Comp. Motor Input	Sensible To Total Ratio (S/T)			Total Cool Cap.	Comp. Motor Input	Sensible To Total Ratio (S/T)			Total Cool Cap.	Comp. Motor Input	Sensible To Total Ratio (S/T)			Total Cool Cap.	Comp. Motor Input	Sensible To Total Ratio (S/T)		
				Dry Bulb					Dry Bulb					Dry Bulb					Dry Bulb		
cfm	kBtuh	kW	75°F	80°F	85°F	kBtuh	kW	75°F	80°F	85°F	kBtuh	kW	75°F	80°F	85°F	kBtuh	kW	75°F	80°F	85°F	
63°F	1920	66.9	4.13	0.71	0.87	1.00	62.5	4.66	0.72	0.89	1.00	57.7	5.27	0.74	0.92	1.00	52.7	5.97	0.76	0.96	1.00
	2400	70.5	4.16	0.77	0.96	1.00	65.7	4.70	0.79	0.98	1.00	60.9	5.30	0.81	1.00	1.00	56.1	6.01	0.84	1.00	1.00
	2880	73.4	4.19	0.83	1.00	1.00	69.1	4.73	0.85	1.00	1.00	64.5	5.35	0.89	1.00	1.00	59.4	6.05	0.92	1.00	1.00
67°F	1920	71.5	4.17	0.55	0.69	0.83	66.9	4.71	0.56	0.70	0.85	61.8	5.32	0.56	0.72	0.88	56.7	6.01	0.56	0.73	0.92
	2400	75.2	4.21	0.59	0.75	0.92	70.3	4.75	0.59	0.77	0.95	64.9	5.35	0.60	0.79	0.98	59.5	6.05	0.61	0.82	1.00
	2880	78.0	4.24	0.63	0.81	0.99	72.6	4.78	0.63	0.83	1.00	67.0	5.38	0.64	0.86	1.00	61.3	6.07	0.66	0.90	1.00
71°F	1920	75.8	4.22	0.41	0.54	0.67	71.2	4.76	0.41	0.55	0.68	66.0	5.36	0.40	0.55	0.69	60.5	6.06	0.38	0.55	0.71
	2400	79.8	4.26	0.43	0.58	0.73	74.6	4.80	0.42	0.59	0.74	69.4	5.41	0.41	0.60	0.76	63.5	6.10	0.41	0.61	0.79
	2880	82.8	4.30	0.44	0.62	0.79	77.4	4.84	0.44	0.63	0.81	71.6	5.44	0.44	0.64	0.84	65.7	6.14	0.44	0.66	0.88

BLOWER DATA - 3 TON DIRECT DRIVE - SINGLE PHASE

ZGB036S4E - BASE UNIT

BLOWER TABLE INCLUDES RESISTANCE FOR BASE UNIT ONLY WITH DRY INDOOR COIL AND AIR FILTERS IN PLACE.

FOR ALL UNITS ADD:

- 1 - Any factory installed options air resistance (heat section, economizer, etc.).
- 2 - Any field installed accessories air resistance (duct resistance, diffuser, etc.).

See page 28 for wet coil and options/accessory air resistance data.

DOWNFLOW

External Static Press. in. w.g.	Blower Only			Low Speed						High Speed						Free Cooling		
	Low and High Speed: G (Pin 1)			1st Stage Heating: W1 (Pin 2) Cooling: Y1 (Pin 2 and 5)			2nd Stage Heating: W2 (Pin 2 and 4)			1st Stage Heating: W1 (Pin 3) 2nd Stage Heating: W2 (Pin 3 and 4)			Cooling: Y1 (Pin 3 and 5)			Low and High Speed: Y1 (Pin 1 and 5)		
	CFM	Watts	RPM	CFM	Watts	RPM	CFM	Watts	RPM	CFM	Watts	RPM	CFM	Watts	RPM	CFM	Watts	RPM
0	752	47	407	1127	142	623	1474	294	803	1664	404	887	1474	294	803	1474	294	803
0.1	694	53	482	1089	150	668	1445	304	835	1636	419	922	1445	304	835	1445	304	835
0.2	627	60	535	1049	158	713	1414	314	871	1613	430	949	1414	314	871	1414	314	871
0.3	560	66	602	1007	167	760	1389	323	898	1579	445	987	1389	323	898	1389	323	898
0.4	502	70	694	965	175	805	1350	335	940	1556	454	1011	1350	335	940	1350	335	940
0.5	---	---	---	923	183	849	1314	347	978	1522	466	1045	1314	347	978	1314	347	978
0.6	---	---	---	881	191	891	1287	356	1008	1488	475	1076	1287	356	1008	1287	356	1008
0.7	---	---	---	826	201	945	1251	367	1045	1442	485	1114	1251	367	1045	1251	367	1045
0.8	---	---	---	785	208	983	1219	377	1078	1408	490	1140	1219	377	1078	1219	377	1078
0.9	---	---	---	646	190	836	1181	389	1117	1363	494	1170	1181	389	1117	1181	389	1117
1.0	---	---	---	618	195	863	1147	400	1152	1317	494	1196	1147	400	1152	1147	400	1152

HORIZONTAL

External Static Press. in. w.g.	Blower Only			Low Speed						High Speed						Free Cooling		
	Low and High Speed: G (Pin 1)			1st Stage Heating: W1 (Pin 2) Cooling: Y1 (Pin 2 and 5)			2nd Stage Heating: W2 (Pin 2 and 4)			1st Stage Heating: W1 (Pin 3) 2nd Stage Heating: W2 (Pin 3 and 4)			Cooling: Y1 (Pin 3 and 5)			Low and High Speed: Y1 (Pin 1 and 5)		
	CFM	Watts	RPM	CFM	Watts	RPM	CFM	Watts	RPM	CFM	Watts	RPM	CFM	Watts	RPM	CFM	Watts	RPM
0	737	50	416	1255	179	671	1539	311	794	1666	386	850	1588	340	818	1539	311	794
0.1	676	56	485	1221	188	701	1509	321	827	1637	402	886	1560	350	849	1509	321	827
0.2	606	62	560	1179	199	749	1475	334	866	1614	414	914	1527	363	885	1475	334	866
0.3	536	68	628	1138	209	795	1446	344	896	1580	430	954	1493	376	921	1446	344	896
0.4	475	73	683	1096	219	840	1411	357	935	1545	445	991	1460	388	958	1411	357	935
0.5	---	---	---	1053	229	883	1375	369	972	1510	457	1027	1426	401	993	1375	369	972
0.6	---	---	---	1012	239	925	1341	381	1010	1475	468	1060	1393	413	1029	1341	381	1010
0.7	---	---	---	960	250	975	1305	393	1047	1441	478	1090	1359	426	1064	1305	393	1047
0.8	---	---	---	918	259	1012	1263	408	1090	1394	487	1128	1326	438	1100	1263	408	1090
0.9	---	---	---	873	268	1060	1216	423	1138	1360	492	1153	1281	454	1146	1216	423	1138
1.0	---	---	---	826	277	1094	1180	435	1173	1314	496	1183	1247	466	1181	1180	435	1173

BLOWER DATA - 4 TON DIRECT DRIVE - SINGLE PHASE

ZGB048S4E - BASE UNIT

BLOWER TABLE INCLUDES RESISTANCE FOR BASE UNIT ONLY WITH DRY INDOOR COIL AND AIR FILTERS IN PLACE.

FOR ALL UNITS ADD:

1 - Any factory installed options air resistance (heat section, economizer, etc.).

2 - Any field installed accessories air resistance (duct resistance, diffuser, etc.).

See page 28 for wet coil and options/accessory air resistance data.

DOWNFLOW

External Static Press. in. w.g.	Blower Only			Low Speed						High Speed						Free Cooling		
	Low and High Speed: G (Pin 1)			1st Stage Heating: W1 (Pin 2) Cooling: Y1 (Pin 2 and 5)			2nd Stage Heating: W2 (Pin 2 and 4)			1st Stage Heating: W1 (Pin 3) 2nd Stage Heating: W2 (Pin 3 and 4)			Cooling: Y1 (Pin 3 and 5)			Low and High Speed: Y1 (Pin 1 and 5)		
	CFM	Watts	RPM	CFM	Watts	RPM	CFM	Watts	RPM	CFM	Watts	RPM	CFM	Watts	RPM	CFM	Watts	RPM
0	933	82	507	1724	438	911	1514	294	779	1832	529	970	2051	754	1084	1884	579	998
0.1	884	90	568	1699	450	940	1477	306	820	1810	540	994	2017	750	1100	1864	591	1021
0.2	829	99	634	1672	462	970	1441	318	859	1784	553	1022	1976	746	1119	1838	606	1050
0.3	787	105	681	1636	478	1010	1406	329	897	1748	570	1060	1935	743	1138	1806	622	1084
0.4	732	113	739	1609	491	1040	1359	345	948	1722	583	1089	1894	739	1156	1779	636	1113
0.5	676	120	794	1582	503	1070	1324	356	985	1696	597	1117	1853	736	1174	1755	647	1138
0.6	621	127	844	1555	515	1099	1289	367	1022	1670	610	1146	1812	732	1192	1723	660	1169
0.7	552	134	901	1528	527	1128	1254	378	1058	1644	623	1174	1757	728	1214	1694	670	1195
0.8	510	138	932	1492	542	1167	1219	389	1093	1617	636	1203	1716	726	1231	1666	679	1219
0.9	---	---	---	1465	554	1195	1190	399	1122	1591	649	1231	1675	723	1247	1634	686	1245
1.0	---	---	---	1442	564	1219	1158	409	1155	1560	665	1265	1627	720	1265	1592	691	1273

HORIZONTAL

External Static Press. in. w.g.	Blower Only			Low Speed						High Speed						Free Cooling		
	Low and High Speed: G (Pin 1)			1st Stage Heating: W1 (Pin 2) Cooling: Y1 (Pin 2 and 5)			2nd Stage Heating: W2 (Pin 2 and 4)			1st Stage Heating: W1 (Pin 3) 2nd Stage Heating: W2 (Pin 3 and 4)			Cooling: Y1 (Pin 3 and 5)			Low and High Speed: Y1 (Pin 1 and 5)		
	CFM	Watts	RPM	CFM	Watts	RPM	CFM	Watts	RPM	CFM	Watts	RPM	CFM	Watts	RPM	CFM	Watts	RPM
0	935	82	508	1746	434	900	1524	292	794	1858	518	1043	2089	756	1068	1914	569	1030
0.1	886	90	572	1724	445	927	1497	302	825	1834	532	988	2066	754	1081	1893	582	1007
0.2	845	97	624	1697	458	960	1465	314	863	1807	546	939	2021	750	1102	1865	600	996
0.3	803	104	673	1669	472	993	1433	326	901	1781	560	908	1976	746	1123	1841	614	989
0.4	748	112	733	1642	485	1025	1402	337	938	1754	574	897	1946	744	1144	1812	629	997
0.5	692	119	789	1606	502	1068	1370	349	974	1728	588	904	1887	739	1165	1784	643	1014
0.6	637	126	839	1579	515	1099	1338	360	1011	1701	602	930	1857	737	1194	1755	655	1041
0.7	554	135	905	1552	528	1130	1295	376	1059	1666	620	995	1797	733	1215	1722	668	1089
0.8	505	139	937	1515	545	1171	1263	387	1095	1640	633	1065	1752	730	1236	1694	678	1138
0.9	---	---	---	1488	558	1202	1232	398	1130	1613	646	1153	1692	726	1264	1652	684	1204
1.0	---	---	---	1466	568	1227	1200	410	1165	1582	661	1281	1632	723	1288	1619	689	1283

BLOWER DATA - 5 TON DIRECT DRIVE - SINGLE PHASE

ZGB060S4E - BASE UNIT

BLOWER TABLE INCLUDES RESISTANCE FOR BASE UNIT ONLY WITH DRY INDOOR COIL AND AIR FILTERS IN PLACE.

FOR ALL UNITS ADD:

- 1 - Any factory installed options air resistance (heat section, economizer, etc.).
- 2 - Any field installed accessories air resistance (duct resistance, diffuser, etc.).

See page 28 for wet coil and options/accessory air resistance data.

DOWNFLOW

External Static Press. in. w.g.	Blower Only			Low Speed									High Speed									Free Cooling					
	Low and High Speed: G (Pin 1)			1st Stage Heating: W1 (Pin 2)			2nd Stage Heating: W2 (Pin 2 and 4)			Cooling: Y1 (Pin 2 and 5)			1st Stage Heating: W1 (Pin 3)			2nd Stage Heating: W2 (Pin 3 and 4)			Cooling: Y1 (Pin 3 and 5)			Low and High Speed: Y1 (Pin 1 and 5)					
	CFM	Watts	CFM	Watts	CFM	Watts	CFM	Watts	CFM	Watts	CFM	Watts	CFM	Watts	CFM	Watts	CFM	Watts	CFM	Watts	CFM	Watts	CFM	Watts	CFM	Watts	CFM
0	1076	108	495	1708	387	602	1938	553	860	1846	469	781	1708	387	602	2263	916	1027	2108	746	964	2108	746	964			
0.1	1017	118	551	1677	398	680	1910	566	884	1818	481	816	1677	398	680	2230	928	1048	2082	760	987	2082	760	987			
0.2	966	126	598	1642	411	758	1879	581	912	1785	495	855	1642	411	758	2190	942	1073	2054	776	1012	2054	776	1012			
0.3	915	135	644	1602	425	831	1837	601	949	1742	513	900	1602	425	831	2150	952	1096	2018	797	1045	2018	797	1045			
0.4	847	145	703	1573	436	885	1815	612	970	1719	523	926	1573	436	885	2110	960	1118	1990	812	1069	1990	812	1069			
0.5	796	153	745	1532	451	939	1775	630	1004	1676	541	967	1532	451	939	2070	966	1139	1962	828	1093	1962	828	1093			
0.6	745	160	786	1497	463	979	1743	644	1031	1643	555	998	1497	463	979	2030	969	1158	1934	843	1117	1934	843	1117			
0.7	694	167	825	1456	478	1014	1712	658	1058	1609	569	1027	1456	478	1014	1990	969	1176	1906	858	1140	1906	858	1140			
0.8	643	174	863	1415	492	1038	1670	677	1093	1565	587	1061	1415	492	1038	1950	968	1192	1870	877	1171	1870	877	1171			
0.9	592	180	900	1381	505	1047	1639	691	1120	1533	601	1085	1381	505	1047	1897	961	1212	1842	892	1194	1842	892	1194			
1.0	558	184	923	1345	517	1042	1612	703	1141	1503	612	1102	1345	517	1042	1857	953	1225	1819	904	1213	1819	904	1213			

HORIZONTAL

External Static Press. in. w.g.	Blower Only			Low Speed									High Speed									Free Cooling					
	Low and High Speed: G (Pin 1)			1st Stage Heating: W1 (Pin 2)			2nd Stage Heating: W2 (Pin 2 and 4)			Cooling: Y1 (Pin 2 and 5)			1st Stage Heating: W1 (Pin 3)			2nd Stage Heating: W2 (Pin 3 and 4)			Cooling: Y1 (Pin 3 and 5)			Low and High Speed: Y1 (Pin 1 and 5)					
	CFM	Watts	CFM	Watts	CFM	Watts	CFM	Watts	CFM	Watts	CFM	Watts	CFM	Watts	CFM	Watts	CFM	Watts	CFM	Watts	CFM	Watts	CFM	Watts	CFM	Watts	CFM
0	1061	111	507	1693	386	764	1926	555	862	1825	472	820	1693	386	764	2244	870	992	2131	739	945	2131	739	945			
0.1	1015	119	551	1662	398	792	1897	568	887	1796	484	846	1662	398	792	2224	885	1012	2097	753	970	2097	753	970			
0.2	965	127	597	1627	410	822	1866	581	913	1764	498	874	1627	410	822	2189	909	1043	2068	765	992	2068	765	992			
0.3	915	135	642	1581	427	863	1827	598	947	1722	516	912	1581	427	863	2166	922	1062	2038	778	1015	2038	778	1015			
0.4	865	143	685	1552	437	888	1802	609	968	1699	525	931	1552	437	888	2131	940	1089	2000	797	1046	2000	797	1046			
0.5	798	153	741	1512	452	923	1763	627	1001	1658	542	967	1512	452	923	2097	953	1114	1970	812	1070	1970	812	1070			
0.6	765	157	767	1478	465	953	1733	641	1028	1626	556	995	1478	465	953	2062	963	1136	1941	827	1095	1941	827	1095			
0.7	698	167	819	1443	477	983	1701	655	1055	1593	569	1023	1443	477	983	2027	968	1156	1912	844	1120	1912	844	1120			
0.8	648	173	855	1397	494	1023	1663	673	1088	1551	587	1060	1397	494	1023	1981	970	1178	1882	860	1146	1882	860	1146			
0.9	598	180	891	1369	504	1047	1632	687	1115	1520	600	1086	1369	504	1047	1923	963	1199	1853	878	1172	1853	878	1172			
1.0	539	187	930	1334	516	1077	1606	700	1138	1492	611	1110	1334	516	1077	1883	951	1210	1829	893	1195	1829	893	1195			

BLOWER DATA - 3 TON DIRECT DRIVE - THREE PHASE

ZGB036S4E - BASE UNIT

BLOWER TABLE INCLUDES RESISTANCE FOR BASE UNIT ONLY WITH DRY INDOOR COIL AND AIR FILTERS IN PLACE.

FOR ALL UNITS ADD:

1 - Any factory installed options air resistance (heat section, economizer, etc.).

2 - Any field installed accessories air resistance (duct resistance, diffuser, etc.).

See page 28 for wet coil and options/accessory air resistance data.

DOWNFLOW

External Static Press. in. w.g.	Tap 1: Pin 1			Tap 2: Pin 2			Tap 3: Pin 3			Tap 4: Pin 4			Tap 5: Pin 5		
	CFM	Watts	RPM	CFM	Watts	RPM	CFM	Watts	RPM	CFM	Watts	RPM	CFM	Watts	RPM
0	1086	130	601	1127	142	623	1182	157	653	1474	294	803	1664	404	887
0.1	1046	138	649	1089	150	668	1146	165	694	1445	304	835	1636	419	922
0.2	1006	146	695	1049	158	713	1107	174	738	1414	314	871	1613	430	949
0.3	962	154	745	1007	167	760	1068	183	781	1389	323	898	1579	445	987
0.4	918	162	792	965	175	805	1029	192	823	1350	335	940	1556	454	1011
0.5	873	170	838	923	183	849	990	200	864	1314	347	978	1522	466	1045
0.6	829	178	882	881	191	891	951	208	905	1287	356	1008	1488	475	1076
0.7	771	187	935	826	201	945	899	219	957	1251	367	1045	1442	485	1114
0.8	729	194	973	785	208	983	860	227	995	1219	377	1078	1408	490	1140
0.9	525	154	679	646	190	836	808	237	1045	1181	389	1117	1363	494	1170
1.0	502	159	701	618	195	863	772	244	1078	1147	400	1152	1317	494	1196

HORIZONTAL

External Static Press. in. w.g.	Tap 1: Pin 1			Tap 2: Pin 2			Tap 3: Pin 3			Tap 4: Pin 4			Tap 5: Pin 5		
	CFM	Watts	RPM	CFM	Watts	RPM	CFM	Watts	RPM	CFM	Watts	RPM	CFM	Watts	RPM
0	1218	166	651	1255	179	671	1305	195	698	1539	311	794	1666	386	850
0.1	1183	175	684	1221	188	701	1272	205	723	1509	321	827	1637	402	886
0.2	1140	186	733	1179	199	749	1232	216	769	1475	334	866	1614	414	914
0.3	1097	196	781	1138	209	795	1192	227	814	1446	344	896	1580	430	954
0.4	1054	206	828	1096	219	840	1152	237	857	1411	357	935	1545	445	991
0.5	1010	215	872	1053	229	883	1111	247	898	1375	369	972	1510	457	1027
0.6	967	225	915	1012	239	925	1071	257	938	1341	381	1010	1475	468	1060
0.7	916	236	964	960	250	975	1018	270	989	1305	393	1047	1441	478	1090
0.8	873	244	1003	918	259	1012	978	279	1025	1263	408	1090	1394	487	1128
0.9	825	253	1052	873	268	1060	938	288	1070	1216	423	1138	1360	492	1153
1.0	777	262	1087	826	277	1094	891	298	1103	1180	435	1173	1314	496	1183

BLOWER DATA - 4 TON DIRECT DRIVE - THREE PHASE

ZGB048S4E - BASE UNIT

BLOWER TABLE INCLUDES RESISTANCE FOR BASE UNIT ONLY WITH DRY INDOOR COIL AND AIR FILTERS IN PLACE.

FOR ALL UNITS ADD:

- 1 - Any factory installed options air resistance (heat section, economizer, etc.).
- 2 - Any field installed accessories air resistance (duct resistance, diffuser, etc.).

See page 28 for wet coil and options/accessory air resistance data.

DOWNFLOW

External Static Press. in. w.g.	Tap 1: Pin 1			Tap 2: Pin 2			Tap 3: Pin 3			Tap 4: Pin 4			Tap 5: Pin 5		
	CFM	Watts	RPM	CFM	Watts	RPM	CFM	Watts	RPM	CFM	Watts	RPM	CFM	Watts	RPM
0	1455	258	741	1514	294	779	1724	438	911	1884	579	998	2051	754	1084
0.1	1417	270	786	1477	306	820	1699	450	940	1864	591	1021	2017	750	1100
0.2	1379	282	828	1441	318	859	1672	462	970	1838	606	1050	1976	746	1119
0.3	1342	293	869	1406	329	897	1636	478	1010	1806	622	1084	1935	743	1138
0.4	1292	309	923	1359	345	948	1609	491	1040	1779	636	1113	1894	739	1156
0.5	1254	320	963	1324	356	985	1582	503	1070	1755	647	1138	1853	736	1174
0.6	1217	331	1001	1289	367	1022	1555	515	1099	1723	660	1169	1812	732	1192
0.7	1180	342	1040	1254	378	1058	1528	527	1128	1694	670	1195	1757	728	1214
0.8	1142	352	1077	1219	389	1093	1492	542	1167	1666	679	1219	1716	726	1231
0.9	1114	361	1104	1190	399	1122	1465	554	1195	1634	686	1245	1675	723	1247
1.0	1079	371	1139	1158	409	1155	1442	564	1219	1592	691	1273	1627	720	1265

HORIZONTAL

External Static Press. in. w.g.	Tap 1: Pin 1			Tap 2: Pin 2			Tap 3: Pin 3			Tap 4: Pin 4			Tap 5: Pin 5		
	CFM	Watts	RPM	CFM	Watts	RPM	CFM	Watts	RPM	CFM	Watts	RPM	CFM	Watts	RPM
0	1453	259	761	1524	292	794	1746	434	900	1914	569	1030	2089	756	1068
0.1	1425	269	795	1497	302	825	1724	445	927	1893	582	1007	2066	754	1081
0.2	1391	281	835	1465	314	863	1697	458	960	1865	600	996	2021	750	1102
0.3	1358	292	874	1433	326	901	1669	472	993	1841	614	989	1976	746	1123
0.4	1325	303	913	1402	337	938	1642	485	1025	1812	629	997	1946	744	1144
0.5	1292	314	951	1370	349	974	1606	502	1068	1784	643	1014	1887	739	1165
0.6	1258	325	989	1338	360	1011	1579	515	1099	1755	655	1041	1857	737	1194
0.7	1214	340	1038	1295	376	1059	1552	528	1130	1722	668	1089	1797	733	1215
0.8	1181	350	1075	1263	387	1095	1515	545	1171	1694	678	1138	1752	730	1236
0.9	1148	361	1110	1232	398	1130	1488	558	1202	1652	684	1204	1692	726	1264
1.0	1112	372	1148	1200	410	1165	1466	568	1227	1619	689	1283	1632	723	1288

BLOWER DATA - 5 TON DIRECT DRIVE - THREE PHASE

ZGB060S4E - BASE UNIT

BLOWER TABLE INCLUDES RESISTANCE FOR BASE UNIT ONLY WITH DRY INDOOR COIL AND AIR FILTERS IN PLACE.

FOR ALL UNITS ADD:

1 - Any factory installed options air resistance (heat section, economizer, etc.).

2 - Any field installed accessories air resistance (duct resistance, diffuser, etc.).

See page 28 for wet coil and options/accessory air resistance data.

DOWNFLOW

External Static Press. in. w.g.	Tap 1: Pin 1			Tap 2: Pin 2			Tap 3: Pin 3			Tap 4: Pin 4			Tap 5: Pin 5		
	CFM	Watts	RPM	CFM	Watts	RPM	CFM	Watts	RPM	CFM	Watts	RPM	CFM	Watts	RPM
0	1795	438	714	1846	469	781	1938	553	860	2108	746	964	2263	916	1027
0.1	1765	450	765	1818	481	816	1910	566	884	2082	760	987	2230	928	1048
0.2	1732	463	818	1785	495	855	1879	581	912	2054	776	1012	2190	942	1073
0.3	1689	480	874	1742	513	900	1837	601	949	2018	797	1045	2150	952	1096
0.4	1664	490	911	1719	523	926	1815	612	970	1990	812	1069	2110	960	1118
0.5	1622	507	957	1676	541	967	1775	630	1004	1962	828	1093	2070	966	1139
0.6	1588	521	991	1643	555	998	1743	644	1031	1934	843	1117	2030	969	1158
0.7	1551	535	1022	1609	569	1027	1712	658	1058	1906	858	1140	1990	969	1176
0.8	1509	552	1052	1565	587	1061	1670	677	1093	1870	877	1171	1950	968	1192
0.9	1476	565	1071	1533	601	1085	1639	691	1120	1842	892	1194	1897	961	1212
1.0	1444	577	1080	1503	612	1102	1612	703	1141	1819	904	1213	1857	953	1225

HORIZONTAL

External Static Press. in. w.g.	Tap 1: Pin 1			Tap 2: Pin 2			Tap 3: Pin 3			Tap 4: Pin 4			Tap 5: Pin 5		
	CFM	Watts	RPM	CFM	Watts	RPM	CFM	Watts	RPM	CFM	Watts	RPM	CFM	Watts	RPM
0	1776	440	799	1825	472	820	1926	555	862	2131	739	945	2244	870	992
0.1	1746	452	826	1796	484	846	1897	568	887	2097	753	970	2224	885	1012
0.2	1713	465	855	1764	498	874	1866	581	913	2068	765	992	2189	909	1043
0.3	1669	482	893	1722	516	912	1827	598	947	2038	778	1015	2166	922	1062
0.4	1644	492	915	1699	525	931	1802	609	968	2000	797	1046	2131	940	1089
0.5	1603	509	951	1658	542	967	1763	627	1001	1970	812	1070	2097	953	1114
0.6	1570	522	979	1626	556	995	1733	641	1028	1941	827	1095	2062	963	1136
0.7	1537	535	1008	1593	569	1023	1701	655	1055	1912	844	1120	2027	968	1156
0.8	1494	552	1046	1551	587	1060	1663	673	1088	1882	860	1146	1981	970	1178
0.9	1463	564	1072	1520	600	1086	1632	687	1115	1853	878	1172	1923	963	1199
1.0	1433	576	1098	1492	611	1110	1606	700	1138	1829	893	1195	1883	951	1210

BLOWER DATA - 3 TON BELT DRIVE - THREE PHASE

ZGB036S4B - BASE UNIT

BLOWER TABLE INCLUDES RESISTANCE FOR BASE UNIT ONLY WITH DRY INDOOR COIL AND AIR FILTERS IN PLACE.

FOR ALL UNITS ADD:

1 - Any factory installed options air resistance (heat section, economizer, wet coil, etc.).

2 - Any field installed accessories air resistance (duct resistance, diffuser, etc.).

See page 28 for blower motors and drives and wet coil and options/accessory air resistance data.

DOWNFLOW

Air Volume cfm	External Static - in. w.g.															
	0.10		0.20		0.30		0.40		0.50		0.60		0.70		0.80	
	RPM	BHP	RPM	BHP	RPM	BHP	RPM	BHP	RPM	BHP	RPM	BHP	RPM	BHP	RPM	BHP
900	573	0.16	639	0.18	707	0.19	776	0.21	844	0.23	908	0.25	967	0.27	1022	0.30
1000	600	0.18	665	0.20	733	0.22	802	0.23	868	0.25	930	0.28	986	0.31	1038	0.33
1100	628	0.21	695	0.22	762	0.24	829	0.26	893	0.29	953	0.31	1007	0.35	1057	0.38
1200	660	0.23	727	0.25	794	0.27	859	0.29	921	0.32	977	0.36	1029	0.39	1077	0.42
1300	695	0.26	761	0.28	827	0.31	890	0.33	949	0.37	1003	0.40	1053	0.44	1099	0.47
1400	734	0.30	799	0.32	862	0.35	923	0.38	978	0.41	1030	0.45	1078	0.49	1122	0.53
1500	775	0.34	837	0.37	898	0.40	955	0.43	1009	0.46	1058	0.50	1104	0.54	1147	0.58

Air Volume cfm	External Static - in. w.g.															
	0.90		1.00		1.10		1.20		1.30		1.40		1.50		1.60	
	RPM	BHP	RPM	BHP	RPM	BHP	RPM	BHP	RPM	BHP	RPM	BHP	RPM	BHP	RPM	BHP
900	1072	0.32	1120	0.35	1166	0.38	1210	0.41	1252	0.44	1292	0.47	1331	0.5	1370	0.54
1000	1087	0.36	1134	0.39	1179	0.42	1222	0.45	1263	0.48	1303	0.51	1341	0.55	1379	0.58
1100	1104	0.40	1150	0.43	1194	0.46	1236	0.49	1277	0.53	1315	0.56	1353	0.60	1390	0.64
1200	1123	0.45	1167	0.48	1210	0.51	1251	0.55	1291	0.58	1330	0.62	1367	0.66	1403	0.70
1300	1143	0.50	1186	0.54	1228	0.57	1268	0.60	1308	0.64	1346	0.68	1382	0.72	1418	0.76
1400	1165	0.56	1206	0.59	1247	0.63	1287	0.67	1326	0.70	1363	0.75	1399	0.79	1435	0.83
1500	1188	0.62	1229	0.66	1269	0.69	1308	0.73	1346	0.77	1382	0.82	1418	0.86	1453	0.90

HORIZONTAL

Air Volume cfm	External Static - in. w.g.															
	0.10		0.20		0.30		0.40		0.50		0.60		0.70		0.80	
	RPM	BHP	RPM	BHP	RPM	BHP	RPM	BHP	RPM	BHP	RPM	BHP	RPM	BHP	RPM	BHP
900	573	0.14	642	0.16	712	0.18	780	0.21	846	0.23	909	0.26	967	0.28	1022	0.31
1000	599	0.16	668	0.18	737	0.21	804	0.23	868	0.26	928	0.29	984	0.32	1037	0.35
1100	626	0.18	695	0.21	764	0.24	830	0.26	892	0.29	950	0.32	1003	0.36	1053	0.39
1200	656	0.21	726	0.24	794	0.27	858	0.30	918	0.33	973	0.37	1024	0.40	1072	0.43
1300	691	0.25	761	0.28	827	0.31	889	0.34	945	0.38	998	0.41	1047	0.45	1093	0.48
1400	731	0.29	798	0.32	862	0.35	920	0.39	974	0.42	1024	0.46	1071	0.49	1115	0.53
1500	773	0.34	838	0.37	898	0.40	952	0.44	1004	0.47	1051	0.51	1096	0.55	1139	0.58

Air Volume cfm	External Static - in. w.g.															
	0.90		1.00		1.10		1.20		1.30		1.40		1.50		1.60	
	RPM	BHP	RPM	BHP	RPM	BHP	RPM	BHP	RPM	BHP	RPM	BHP	RPM	BHP	RPM	BHP
900	1074	0.33	1123	0.36	1171	0.39	1216	0.41	1260	0.44	1301	0.47	1340	0.49	1378	0.52
1000	1087	0.37	1135	0.40	1181	0.42	1226	0.45	1269	0.48	1310	0.51	1350	0.54	1388	0.57
1100	1101	0.41	1148	0.44	1193	0.47	1237	0.49	1279	0.52	1321	0.55	1360	0.59	1398	0.62
1200	1118	0.46	1163	0.48	1208	0.51	1251	0.54	1293	0.58	1334	0.61	1375	0.64	1414	0.68
1300	1137	0.51	1181	0.53	1224	0.57	1267	0.60	1309	0.63	1350	0.67	1391	0.71	1432	0.75
1400	1158	0.56	1200	0.59	1242	0.62	1284	0.66	1326	0.70	1367	0.74	1407	0.79	1448	0.83
1500	1180	0.61	1222	0.65	1263	0.69	1304	0.73	1345	0.77	1386	0.82	1427	0.87	1467	0.92

BLOWER DATA - 4 TON BELT DRIVE - THREE PHASE

ZGB048S4B - BASE UNIT

BLOWER TABLE INCLUDES RESISTANCE FOR BASE UNIT ONLY WITH DRY INDOOR COIL AND AIR FILTERS IN PLACE.

FOR ALL UNITS ADD:

1 - Any factory installed options air resistance (heat section, economizer, wet coil, etc.).

2 - Any field installed accessories air resistance (duct resistance, diffuser, etc.).

See page 28 for blower motors and drives and wet coil and options/accessory air resistance data.

DOWNFLOW

Air Volume cfm	External Static - in. w.g.															
	0.10		0.20		0.30		0.40		0.50		0.60		0.70		0.80	
	RPM	BHP	RPM	BHP	RPM	BHP	RPM	BHP	RPM	BHP	RPM	BHP	RPM	BHP	RPM	BHP
1200	660	0.23	727	0.25	794	0.27	859	0.29	921	0.32	977	0.36	1029	0.39	1077	0.42
1300	695	0.26	761	0.28	827	0.31	890	0.33	949	0.37	1003	0.40	1053	0.44	1099	0.47
1400	734	0.30	799	0.32	862	0.35	923	0.38	978	0.41	1030	0.45	1078	0.49	1122	0.53
1500	775	0.34	837	0.37	898	0.40	955	0.43	1009	0.46	1058	0.50	1104	0.54	1147	0.58
1600	817	0.39	877	0.42	935	0.45	989	0.48	1040	0.52	1087	0.56	1131	0.60	1173	0.65
1700	859	0.44	917	0.47	972	0.50	1023	0.54	1071	0.58	1117	0.62	1159	0.67	1199	0.71
1800	902	0.49	957	0.53	1008	0.56	1057	0.60	1103	0.64	1147	0.69	1188	0.74	1227	0.79
1900	944	0.56	996	0.59	1045	0.63	1092	0.68	1136	0.72	1178	0.77	1218	0.82	1257	0.87
2000	986	0.63	1035	0.67	1083	0.71	1127	0.76	1170	0.81	1210	0.86	1249	0.91	1287	0.97

Air Volume cfm	External Static - in. w.g.															
	0.90		1.00		1.10		1.20		1.30		1.40		1.50		1.60	
	RPM	BHP	RPM	BHP	RPM	BHP	RPM	BHP	RPM	BHP	RPM	BHP	RPM	BHP	RPM	BHP
1200	1123	0.45	1167	0.48	1210	0.51	1251	0.55	1291	0.58	1330	0.62	1367	0.66	1403	0.70
1300	1143	0.50	1186	0.54	1228	0.57	1268	0.60	1308	0.64	1346	0.68	1382	0.72	1418	0.76
1400	1165	0.56	1206	0.59	1247	0.63	1287	0.67	1326	0.70	1363	0.75	1399	0.79	1435	0.83
1500	1188	0.62	1229	0.66	1269	0.69	1308	0.73	1346	0.77	1382	0.82	1418	0.86	1453	0.90
1600	1213	0.69	1252	0.73	1292	0.77	1330	0.81	1367	0.85	1403	0.89	1438	0.94	1472	0.98
1700	1239	0.76	1278	0.80	1316	0.84	1354	0.89	1390	0.93	1425	0.98	1459	1.02	1492	1.07
1800	1266	0.83	1304	0.88	1342	0.93	1378	0.98	1414	1.02	1448	1.07	1481	1.12	1514	1.16
1900	1294	0.92	1332	0.97	1369	1.02	1404	1.07	1439	1.12	1472	1.17	1504	1.21	1536	1.26
2000	1324	1.02	1360	1.07	1396	1.13	1431	1.18	1465	1.23	1497	1.27	1529	1.32	1560	1.37

HORIZONTAL

Air Volume cfm	External Static - in. w.g.															
	0.10		0.20		0.30		0.40		0.50		0.60		0.70		0.80	
	RPM	BHP	RPM	BHP	RPM	BHP	RPM	BHP	RPM	BHP	RPM	BHP	RPM	BHP	RPM	BHP
1200	656	0.21	726	0.24	794	0.27	858	0.30	918	0.33	973	0.37	1024	0.40	1072	0.43
1300	691	0.25	761	0.28	827	0.31	889	0.34	945	0.38	998	0.41	1047	0.45	1093	0.48
1400	731	0.29	798	0.32	862	0.35	920	0.39	974	0.42	1024	0.46	1071	0.49	1115	0.53
1500	773	0.34	838	0.37	898	0.40	952	0.44	1004	0.47	1051	0.51	1096	0.55	1139	0.58
1600	817	0.39	878	0.42	934	0.46	985	0.49	1034	0.53	1080	0.56	1123	0.60	1164	0.64
1700	861	0.45	918	0.48	970	0.51	1018	0.55	1065	0.58	1108	0.62	1150	0.66	1190	0.70
1800	904	0.51	957	0.54	1006	0.57	1052	0.61	1096	0.65	1138	0.69	1178	0.73	1217	0.78
1900	946	0.57	996	0.61	1042	0.64	1086	0.68	1128	0.72	1168	0.76	1207	0.81	1245	0.86
2000	988	0.64	1035	0.68	1079	0.72	1120	0.76	1161	0.81	1199	0.85	1237	0.90	1275	0.96

Air Volume cfm	External Static - in. w.g.															
	0.90		1.00		1.10		1.20		1.30		1.40		1.50		1.60	
	RPM	BHP	RPM	BHP	RPM	BHP	RPM	BHP	RPM	BHP	RPM	BHP	RPM	BHP	RPM	BHP
1200	1118	0.46	1163	0.48	1208	0.51	1251	0.54	1293	0.58	1334	0.61	1375	0.64	1414	0.68
1300	1137	0.51	1181	0.53	1224	0.57	1267	0.60	1309	0.63	1350	0.67	1391	0.71	1432	0.75
1400	1158	0.56	1200	0.59	1242	0.62	1284	0.66	1326	0.70	1367	0.74	1407	0.79	1448	0.83
1500	1180	0.61	1222	0.65	1263	0.69	1304	0.73	1345	0.77	1386	0.82	1427	0.87	1467	0.92
1600	1204	0.68	1245	0.72	1285	0.76	1325	0.80	1366	0.85	1406	0.90	1447	0.96	1487	1.02
1700	1229	0.75	1269	0.79	1309	0.84	1348	0.89	1388	0.94	1428	1.00	1468	1.06	1508	1.12
1800	1256	0.83	1295	0.88	1334	0.93	1373	0.98	1412	1.04	1451	1.10	1490	1.16	1529	1.23
1900	1283	0.92	1322	0.97	1360	1.03	1398	1.09	1436	1.15	1474	1.21	1511	1.27	1549	1.34
2000	1312	1.02	1350	1.07	1387	1.13	1424	1.20	1461	1.26	1498	1.32	1535	1.38	1571	1.45

BLOWER DATA - 5 TON BELT DRIVE - THREE PHASE

ZGB060S4B - BASE UNIT

BLOWER TABLE INCLUDES RESISTANCE FOR BASE UNIT ONLY WITH DRY INDOOR COIL AND AIR FILTERS IN PLACE.

FOR ALL UNITS ADD:

1 - Any factory installed options air resistance (heat section, economizer, wet coil, etc.).

2 - Any field installed accessories air resistance (duct resistance, diffuser, etc.).

See page 28 for blower motors and drives and wet coil and options/accessory air resistance data.

DOWNFLOW

Air Volume cfm	External Static - in. w.g.															
	0.10		0.20		0.30		0.40		0.50		0.60		0.70		0.80	
	RPM	BHP	RPM	BHP	RPM	BHP	RPM	BHP	RPM	BHP	RPM	BHP	RPM	BHP	RPM	BHP
1600	848	0.48	905	0.53	961	0.57	1015	0.61	1064	0.66	1107	0.69	1148	0.73	1189	0.76
1700	898	0.56	952	0.60	1005	0.65	1054	0.69	1099	0.73	1140	0.77	1180	0.80	1221	0.83
1800	948	0.63	998	0.68	1047	0.73	1093	0.78	1136	0.82	1175	0.85	1214	0.88	1255	0.91
1900	996	0.72	1042	0.77	1088	0.82	1132	0.86	1173	0.90	1211	0.94	1250	0.97	1290	1.00
2000	1041	0.81	1084	0.86	1128	0.91	1170	0.95	1210	0.99	1249	1.03	1287	1.06	1326	1.10
2100	1084	0.91	1126	0.95	1168	1.00	1209	1.04	1249	1.08	1287	1.12	1324	1.17	1362	1.21
2200	1128	1.01	1169	1.05	1210	1.10	1250	1.14	1288	1.19	1326	1.23	1363	1.28	1399	1.34
2300	1173	1.11	1214	1.16	1253	1.20	1292	1.25	1329	1.30	1366	1.36	1402	1.42	1437	1.48
2400	1220	1.23	1259	1.28	1297	1.33	1335	1.38	1371	1.44	1406	1.50	1442	1.57	1476	1.63

Air Volume cfm	External Static - in. w.g.															
	0.90		1.00		1.10		1.20		1.30		1.40		1.50		1.60	
	RPM	BHP	RPM	BHP	RPM	BHP	RPM	BHP	RPM	BHP	RPM	BHP	RPM	BHP	RPM	BHP
1600	1232	0.79	1274	0.82	1316	0.86	1356	0.90	1395	0.94	1433	0.99	1470	1.04	1506	1.09
1700	1263	0.86	1304	0.90	1344	0.94	1383	0.99	1421	1.04	1458	1.09	1494	1.14	1530	1.19
1800	1295	0.95	1335	0.99	1374	1.04	1412	1.09	1448	1.14	1484	1.20	1520	1.25	1556	1.30
1900	1329	1.04	1368	1.09	1405	1.15	1441	1.20	1477	1.26	1513	1.31	1548	1.37	1583	1.42
2000	1364	1.15	1401	1.21	1437	1.27	1472	1.33	1507	1.38	1543	1.44	1578	1.49	1613	1.54
2100	1399	1.27	1435	1.33	1470	1.40	1505	1.46	1539	1.51	1574	1.56	1609	1.61	1645	1.66
2200	1435	1.40	1470	1.47	1504	1.53	1538	1.59	1573	1.65	1608	1.70	1642	1.74	1678	1.79
2300	1472	1.54	1506	1.61	1540	1.67	1574	1.73	1608	1.78	1642	1.83	1677	1.88	1712	1.93
2400	1510	1.7	1544	1.76	1577	1.82	1610	1.88	1644	1.93	1678	1.97	1713	2.02	1748	2.07

HORIZONTAL

Air Volume cfm	External Static - in. w.g.															
	0.10		0.20		0.30		0.40		0.50		0.60		0.70		0.80	
	RPM	BHP	RPM	BHP	RPM	BHP	RPM	BHP	RPM	BHP	RPM	BHP	RPM	BHP	RPM	BHP
1600	761	0.43	820	0.47	879	0.52	937	0.56	994	0.61	1045	0.65	1090	0.69	1132	0.72
1700	803	0.49	861	0.53	918	0.58	973	0.63	1025	0.67	1072	0.72	1114	0.75	1155	0.78
1800	846	0.56	901	0.60	955	0.65	1008	0.70	1056	0.75	1099	0.79	1140	0.82	1181	0.85
1900	889	0.63	941	0.68	993	0.73	1042	0.78	1087	0.83	1129	0.87	1168	0.90	1209	0.93
2000	933	0.71	981	0.76	1030	0.81	1076	0.86	1119	0.91	1159	0.95	1198	0.98	1238	1.01
2100	974	0.79	1020	0.85	1065	0.90	1109	0.96	1151	1.00	1190	1.04	1229	1.07	1268	1.11
2200	1013	0.89	1057	0.94	1100	0.99	1143	1.05	1183	1.09	1222	1.13	1261	1.17	1299	1.21
2300	1050	0.99	1093	1.04	1135	1.09	1177	1.14	1217	1.18	1255	1.23	1293	1.27	1331	1.32
2400	1088	1.09	1129	1.14	1170	1.19	1211	1.23	1250	1.28	1289	1.33	1326	1.38	1363	1.44

Air Volume cfm	External Static - in. w.g.															
	0.90		1.00		1.10		1.20		1.30		1.40		1.50		1.60	
	RPM	BHP	RPM	BHP	RPM	BHP	RPM	BHP	RPM	BHP	RPM	BHP	RPM	BHP	RPM	BHP
1600	1175	0.76	1218	0.79	1260	0.82	1302	0.85	1343	0.89	1383	0.93	1421	0.98	1458	1.03
1700	1198	0.82	1241	0.85	1283	0.89	1324	0.93	1364	0.97	1402	1.02	1439	1.07	1476	1.12
1800	1223	0.89	1265	0.92	1307	0.96	1347	1.01	1386	1.06	1423	1.11	1459	1.16	1495	1.21
1900	1250	0.96	1292	1.01	1332	1.05	1371	1.10	1408	1.15	1445	1.21	1481	1.27	1516	1.32
2000	1279	1.05	1319	1.10	1358	1.15	1396	1.20	1432	1.26	1468	1.32	1504	1.38	1539	1.44
2100	1308	1.15	1347	1.20	1385	1.26	1421	1.32	1457	1.38	1493	1.44	1528	1.50	1563	1.56
2200	1338	1.26	1376	1.31	1412	1.38	1448	1.45	1483	1.51	1518	1.57	1553	1.63	1588	1.68
2300	1368	1.37	1405	1.44	1441	1.51	1476	1.58	1510	1.64	1545	1.70	1580	1.76	1615	1.81
2400	1400	1.50	1435	1.57	1470	1.65	1505	1.72	1539	1.78	1573	1.84	1608	1.89	1643	1.94

BLOWER DATA - 6 TON BELT DRIVE - THREE PHASE

ZGB074S4B - BASE UNIT

BLOWER TABLE INCLUDES RESISTANCE FOR BASE UNIT ONLY WITH DRY INDOOR COIL AND AIR FILTERS IN PLACE.

FOR ALL UNITS ADD:

1 - Any factory installed options air resistance (heat section, economizer, wet coil, etc.).

2 - Any field installed accessories air resistance (duct resistance, diffuser, etc.).

See page 28 for blower motors and drives and wet coil and options/accessory air resistance data.

DOWNFLOW

Air Volume cfm	External Static - in. w.g.															
	0.10		0.20		0.30		0.40		0.50		0.60		0.70		0.80	
	RPM	BHP	RPM	BHP	RPM	BHP	RPM	BHP	RPM	BHP	RPM	BHP	RPM	BHP	RPM	BHP
1900	578	0.44	610	0.49	643	0.54	678	0.60	714	0.65	749	0.70	785	0.76	819	0.82
2000	600	0.50	632	0.56	665	0.61	699	0.66	734	0.71	769	0.77	803	0.83	837	0.90
2100	623	0.57	655	0.62	688	0.68	721	0.73	755	0.79	789	0.84	822	0.91	854	0.98
2200	647	0.65	678	0.70	711	0.75	743	0.81	776	0.86	809	0.93	841	1.00	872	1.06
2300	671	0.73	702	0.78	734	0.83	766	0.89	798	0.95	829	1.02	860	1.09	890	1.16
2400	696	0.81	726	0.87	757	0.92	788	0.98	819	1.04	850	1.11	880	1.19	909	1.26
2500	720	0.90	750	0.95	780	1.01	811	1.07	841	1.14	871	1.22	900	1.30	929	1.37
2600	745	0.99	774	1.05	804	1.11	834	1.17	864	1.25	893	1.33	921	1.41	949	1.49
2700	770	1.09	799	1.15	828	1.21	858	1.28	887	1.36	916	1.44	943	1.53	969	1.61
2800	795	1.19	824	1.25	853	1.33	882	1.40	911	1.48	939	1.56	965	1.65	990	1.73
2900	820	1.30	849	1.37	878	1.45	907	1.53	935	1.61	962	1.70	988	1.78	1012	1.86

Air Volume cfm	External Static - in. w.g.															
	0.90		1.00		1.10		1.20		1.30		1.40		1.50		1.60	
	RPM	BHP	RPM	BHP	RPM	BHP	RPM	BHP	RPM	BHP	RPM	BHP	RPM	BHP	RPM	BHP
1900	853	0.88	885	0.94	915	0.99	944	1.05	971	1.11	996	1.17	1021	1.23	1045	1.29
2000	869	0.96	899	1.01	929	1.07	957	1.13	984	1.19	1009	1.25	1033	1.31	1058	1.38
2100	885	1.04	915	1.10	944	1.15	971	1.22	997	1.28	1022	1.34	1046	1.40	1070	1.46
2200	902	1.13	931	1.19	959	1.24	986	1.31	1012	1.37	1036	1.43	1060	1.50	1084	1.56
2300	920	1.23	948	1.29	975	1.35	1001	1.41	1027	1.47	1051	1.53	1075	1.60	1098	1.66
2400	938	1.33	965	1.39	992	1.45	1017	1.52	1042	1.58	1066	1.64	1090	1.70	1113	1.77
2500	956	1.44	983	1.51	1009	1.57	1034	1.63	1059	1.69	1082	1.75	1105	1.82	1128	1.88
2600	975	1.56	1001	1.63	1026	1.69	1051	1.75	1075	1.81	1098	1.87	1121	1.93	1143	2.00
2700	995	1.68	1020	1.75	1044	1.81	1069	1.87	1092	1.93	1114	1.99	1136	2.06	1158	2.13
2800	1015	1.81	1039	1.87	1063	1.94	1086	2.00	1109	2.06	1131	2.12	1152	2.19	1174	2.26
2900	1035	1.94	1058	2.00	1081	2.07	1104	2.13	1126	2.19	1147	2.26	1168	2.33	1189	2.40

HORIZONTAL

Air Volume cfm	External Static - in. w.g.															
	0.10		0.20		0.30		0.40		0.50		0.60		0.70		0.80	
	RPM	BHP	RPM	BHP	RPM	BHP	RPM	BHP	RPM	BHP	RPM	BHP	RPM	BHP	RPM	BHP
1900	581	0.44	618	0.49	655	0.54	692	0.59	729	0.64	765	0.69	800	0.75	833	0.80
2000	602	0.50	639	0.55	676	0.61	713	0.66	749	0.71	784	0.76	818	0.82	850	0.88
2100	625	0.57	661	0.62	698	0.67	735	0.73	770	0.78	804	0.84	837	0.90	868	0.96
2200	648	0.64	685	0.69	721	0.75	757	0.80	791	0.86	824	0.92	856	0.98	886	1.05
2300	673	0.71	709	0.77	745	0.83	780	0.88	813	0.94	845	1.01	876	1.08	905	1.15
2400	699	0.79	734	0.85	769	0.91	803	0.97	835	1.04	866	1.11	896	1.18	924	1.25
2500	725	0.88	759	0.94	793	1.00	826	1.07	857	1.14	887	1.21	916	1.28	944	1.36
2600	752	0.97	785	1.04	818	1.10	850	1.17	880	1.25	909	1.32	937	1.40	964	1.48
2700	779	1.07	811	1.14	843	1.21	873	1.29	902	1.37	931	1.44	958	1.52	984	1.60
2800	805	1.18	837	1.26	868	1.33	897	1.41	925	1.49	952	1.57	979	1.66	1004	1.74
2900	832	1.30	863	1.38	892	1.46	921	1.54	948	1.63	974	1.71	1000	1.80	1024	1.88

Air Volume cfm	External Static - in. w.g.															
	0.90		1.00		1.10		1.20		1.30		1.40		1.50		1.60	
	RPM	BHP	RPM	BHP	RPM	BHP	RPM	BHP	RPM	BHP	RPM	BHP	RPM	BHP	RPM	BHP
1900	864	0.87	895	0.93	924	0.99	953	1.06	980	1.12	1007	1.18	1032	1.25	1056	1.31
2000	881	0.95	911	1.01	940	1.08	967	1.14	994	1.21	1020	1.27	1044	1.34	1068	1.40
2100	898	1.03	927	1.10	955	1.17	982	1.23	1008	1.30	1033	1.37	1057	1.43	1080	1.50
2200	916	1.12	944	1.19	971	1.26	998	1.33	1023	1.40	1047	1.47	1071	1.54	1093	1.60
2300	934	1.22	961	1.29	988	1.36	1014	1.43	1038	1.50	1062	1.58	1085	1.65	1107	1.71
2400	952	1.32	979	1.40	1005	1.47	1030	1.54	1054	1.62	1077	1.69	1099	1.76	1121	1.83
2500	971	1.43	997	1.51	1022	1.59	1046	1.66	1069	1.74	1092	1.81	1114	1.88	1135	1.95
2600	990	1.55	1015	1.63	1039	1.71	1063	1.79	1086	1.86	1108	1.94	1129	2.01	1150	2.07
2700	1009	1.68	1034	1.76	1057	1.84	1080	1.92	1102	1.99	1124	2.07	1145	2.14	1166	2.21
2800	1028	1.82	1052	1.9	1075	1.98	1097	2.06	1119	2.13	1140	2.21	1161	2.28	1182	2.34
2900	1048	1.96	1071	2.04	1093	2.12	1115	2.20	1136	2.28	1157	2.35	1177	2.42	1198	2.48

BLOWER DATA

BELT DRIVE KIT SPECIFICATIONS - ZGB036-060

Model No.	Motor HP		No. of Speeds	Drive Kits and RPM Range					
	Nominal	Maximum		ZA01	ZA02	ZA03	ZA04	¹ ZA05	¹ ZA06
ZGB036S4B	1	1.15	1	678 - 1035	---	---	964 - 1471	---	---
	1.5	1.7	1	678 - 1035	---	---	964 - 1471	---	---
ZGB048S4B	1	1.15	1	---	803 - 1226	---	---	---	---
	1.5	1.7	1	---	803 - 1226	---	---	1098 - 1490	---
ZGB060S4B	1	1.15	1	---	---	906 - 1383	---	---	---
	1.5	1.7	1	---	---	906 - 1383	---	---	1262 - 1634

BELT DRIVE KIT SPECIFICATIONS - ZGB074

Model No.	Motor HP		No. of Speeds	Drive Kits and RPM Range		
	Nominal	Maximum		ZAA02	ZAA03	² ZAA04
ZGB074S4B	1.5	1.7	1	632 - 875	798 - 1105	---
	2	2.3	1	632 - 875	798 - 1105	921 - 1228
ZGB074S4T	2	2.3	2	632 - 875	798 - 1105	921 - 1228

NOTE - Using total air volume and system static pressure requirements determine from blower performance tables rpm and motor hp required. Maximum usable hp of motors furnished are shown. In Canada, nominal motor hp is also maximum usable motor hp. If motors of comparable hp are used, be sure to keep within the service factor limitations outlined on the motor nameplate.

¹ 1.5 hp blower motor is required with the ZA05 and ZA06 drive kits.

² 2 hp blower motor is required with the ZAA04 drive kit.

POWER EXHAUST FAN PERFORMANCE

Return Air System Static Pressure - in. w.g.	Air Volume Exhausted cfm
0.00	1865
0.05	1785
0.10	1710
0.15	1630
0.20	1545
0.25	1450
0.30	1350
0.35	1240

BLOWER DATA

OPTIONS / ACCESSORIES AIR RESISTANCE - in. w.g.

Air Volume cfm	Wet Indoor Coil	ZGB060, ZGB074	Gss Heat Exchanger		Economizer	
	ZGB036, ZGB048		Medium	High	Downflow	Horizontal
900	0.01	---	0.05	0.06	0.03	0.04
1000	0.02	---	0.06	0.06	0.03	0.05
1100	0.02	---	0.06	0.07	0.04	0.05
1200	0.02	---	0.06	0.07	0.05	0.06
1300	0.03	---	0.07	0.07	0.05	0.07
1400	0.03	---	0.07	0.08	0.06	0.08
1500	0.04	---	0.07	0.08	0.07	0.08
1600	0.04	0.03	0.07	0.08	0.08	0.09
1700	0.05	0.03	0.07	0.08	0.09	0.10
1800	0.05	0.03	0.06	0.08	0.10	0.11
1900	0.06	0.04	0.06	0.08	0.11	0.12
2000	0.06	0.04	0.07	0.09	0.12	0.13
2100	---	0.05	0.08	0.10	0.13	0.14
2200	---	0.05	0.10	0.12	0.14	0.15
2300	---	0.05	0.11	0.14	0.15	0.16
2400	---	0.06	0.11	0.13	0.16	0.18
2500	---	0.06	0.11	0.15	0.18	0.19
2600	---	0.07	0.13	0.16	0.19	0.20
2700	---	0.07	0.15	0.18	0.20	0.21
2800	---	0.07	0.13	0.16	0.22	0.23
2900	---	0.08	0.13	0.18	0.23	0.24

OUTDOOR SOUND DATA

Unit Model No.	Octave Band Sound Power Levels dBA, re 10 ⁻¹² Watts - Center Frequency - Hz							¹ Sound Rating Number (dBA)
	125	250	500	1000	2000	4000	8000	
ZGB036	66	70	73	72	70	67	60	78
ZGB048	68	71	75	74	71	68	63	80
ZGB060	64	68	72	73	69	67	63	78
ZGB074	73	76	80	78	73	68	66	84

NOTE - The octave sound power data does not include tonal corrections.

¹ Sound Rating Number according to AHRI Standard 270-2008. SRN is the overall A-Weighted Sound Power Level, (LWA), dBA (100 Hz to 10,000 Hz).

BLOWER DATA

CEILING DIFFUSERS AIR RESISTANCE (in. w.g.)

Air Volume cfm	RTD9-65S Step-Down Diffuser			FD9-65S Flush Diffuser	RTD11-95S Step-Down Diffuser			FD11-95S Flush Diffuser
	2 Ends Open	1 Side & 2 Ends Open	All Ends & Sides Open		2 Ends Open	1 Side & 2 Ends Open	All Ends & Sides Open	
800	0.15	0.13	0.11	0.11	---	---	---	---
1000	0.19	0.16	0.14	0.14	---	---	---	---
1200	0.25	0.20	0.17	0.17	---	---	---	---
1400	0.33	0.26	0.20	0.20	---	---	---	---
1600	0.43	0.32	0.20	0.24	---	---	---	---
1800	0.56	0.40	0.30	0.30	0.13	0.11	0.09	0.09
2000	0.73	0.50	0.36	0.36	0.15	0.13	0.11	0.10
2200	0.95	0.63	0.44	0.44	0.18	0.15	0.12	0.12
2400	---	----	---	---	0.21	0.18	0.15	0.14
2600	---	----	---	---	0.24	0.21	0.18	0.17
2800	---	----	---	---	0.27	0.24	0.21	0.20
3000	---	----	---	---	0.32	0.29	0.25	0.25
3200	---	----	---	---	0.41	0.37	0.32	0.31
3400	---	----	---	---	0.50	0.45	0.39	0.37
3600	---	----	---	---	0.61	0.54	0.48	0.44

CEILING DIFFUSER AIR THROW DATA

Air Volume - cfm	¹ Effective Throw - ft.		Air Volume - cfm	¹ Effective Throw - ft.	
Model No.	RTD9-65S	FD9-65S	Model No.	RTD11-95S	FD11-95S
800	10 - 17	14 - 18	2600	24 - 29	19 - 24
1000	10 - 17	15 - 20	2800	25 - 30	20 - 28
1200	11 - 18	16 - 22	3000	27 - 33	21 - 29
1400	12 - 19	17 - 24	3200	28 - 35	22 - 29
1600	12 - 20	18 - 25	3400	30 - 37	22 - 30
1800	13 - 21	20 - 28	3600	25 - 33	22 - 24
2000	14 - 23	21 - 29			
2200	16 - 25	22 - 30			

¹ Effective throw based on terminal velocities of 75 ft. per minute.

ELECTRICAL DATA**3 TON****DIRECT DRIVE BLOWER - ZGB036S4E**

¹ Voltage - 60hz		208/230V-1 Ph	208/230V-3 Ph
Compressor	Rated Load Amps	15.3	8.7
	Locked Rotor Amps	70	70
Outdoor Fan Motor	Full Load Amps	1.7	1.7
Power Exhaust (1) 0.5 HP	Full Load Amps	1.5	1.5
Indoor Blower Motor	Horsepower	0.5	0.5
	Type	ECM Direct	ECM Direct
	Full Load Amps	4.6	4.6
² Maximum Overcurrent Protection	Unit Only	40	25
	With (1) 0.5 HP Power Exhaust	40	25
³ Minimum Circuit Ampacity	Unit Only	26	18
	With (1) 0.5 HP Power Exhaust	27	19

ELECTRICAL DATA**4 TON****DIRECT DRIVE BLOWER - ZGB048S4E**

¹ Voltage - 60hz		208/230V-1 Ph	208/230V-3 Ph
Compressor	Rated Load Amps	20	11
	Locked Rotor Amps	99	86
Outdoor Fan Motor	Full Load Amps	1.7	1.7
Power Exhaust (1) 0.5 HP	Full Load Amps	1.5	1.5
Indoor Blower Motor	Horsepower	0.75	0.75
	Type	ECM Direct	ECM Direct
	Full Load Amps	6.3	6.3
² Maximum Overcurrent Protection	Unit Only	50	30
	With (1) 0.5 HP Power Exhaust	50	30
³ Minimum Circuit Ampacity	Unit Only	33	22
	With (1) 0.5 HP Power Exhaust	35	24

ELECTRICAL DATA**5 TON****DIRECT DRIVE BLOWER - ZGB060S4E**

¹ Voltage - 60hz		208/230V-1 Ph	208/230V-3 Ph
Compressor	Rated Load Amps	22.1	13.5
	Locked Rotor Amps	125	109
Outdoor Fan Motor	Full Load Amps	1.7	1.7
Power Exhaust (1) 0.5 HP	Full Load Amps	1.5	1.5
Indoor Blower Motor	Horsepower	1	1
	Type	ECM Direct	ECM Direct
	Full Load Amps	8.4	8.4
² Maximum Overcurrent Protection	Unit Only	50	40
	With (1) 0.5 HP Power Exhaust	60	40
³ Minimum Circuit Ampacity	Unit Only	38	27
	With (1) 0.5 HP Power Exhaust	40	29

NOTE - All units have a minimum Short Circuit Current Rating (SCCR) of 5000 amps.

¹ Extremes of operating range are plus and minus 10% of line voltage.² HACR type breaker or fuse.³ Refer to National or Canadian Electrical Code manual to determine wire, fuse and disconnect size requirements.

ELECTRICAL DATA**3 TON****BELT DRIVE BLOWER - ZGB036S4B**

¹ Voltage - 60hz		208/230V - 3 Ph		460V - 3 Ph		575V - 3 Ph	
Compressor	Rated Load Amps	8.7		4		3.6	
	Locked Rotor Amps	70		31		27	
Outdoor Fan Motor	Full Load Amps	1.7		0.9		0.7	
Power Exhaust (1) 0.5 HP	Full Load Amps	1.5		0.6		0.6	
Indoor Blower Motor	Horsepower	1	1.5	1	1.5	1	1.5
	Type	Belt		Belt		Belt	
	Full Load Amps	4.6	6.6	2.1	3	1.7	2.4
² Maximum Overcurrent Protection	Unit Only	25	25	15	15	15	15
	With (1) 0.5 HP Power Exhaust	25	25	15	15	15	15
³ Minimum Circuit Ampacity	Unit Only	18	20	8	9	7	8
	With (1) 0.5 HP Power Exhaust	19	21	9	10	8	9

ELECTRICAL DATA**4 TON****BELT DRIVE BLOWER - ZGB048S4B**

¹ Voltage - 60hz		208/230V - 3 Ph		460V - 3 Ph		575V - 3 Ph	
Compressor	Rated Load Amps	11		5.5		4.7	
	Locked Rotor Amps	86		37		34	
Outdoor Fan Motor	Full Load Amps	1.7		0.9		0.7	
Power Exhaust (1) 0.5 HP	Full Load Amps	1.5		0.6		0.6	
Indoor Blower Motor	Horsepower	1	1.5	1	1.5	1	1.5
	Type	Belt		Belt		Belt	
	Full Load Amps	4.6	6.6	2.1	3	1.7	2.4
² Maximum Overcurrent Protection	Unit Only	30	30	15	15	15	15
	With (1) 0.5 HP Power Exhaust	30	30	15	15	15	15
³ Minimum Circuit Ampacity	Unit Only	21	23	10	11	9	9
	With (1) 0.5 HP Power Exhaust	22	24	11	12	9	10

ELECTRICAL DATA**5 TON****BELT DRIVE BLOWER - ZGB060S4B**

¹ Voltage - 60hz		208/230V - 3 Ph		460V - 3 Ph		575V - 3 Ph	
Compressor	Rated Load Amps	13.5		8		5	
	Locked Rotor Amps	109		59		40	
Outdoor Fan Motor	Full Load Amps	1.7		0.9		0.7	
Power Exhaust (1) 0.5 HP	Full Load Amps	1.5		0.6		0.6	
Indoor Blower Motor	Horsepower	1	1.5	1	1.5	1	1.5
	Type	Belt		Belt		Belt	
	Full Load Amps	4.6	6.6	2.1	3	1.7	2.4
² Maximum Overcurrent Protection	Unit Only	35	35	20	20	15	15
	With (1) 0.5 HP Power Exhaust	35	40	20	20	15	15
³ Minimum Circuit Ampacity	Unit Only	24	26	13	14	9	10
	With (1) 0.5 HP Power Exhaust	25	27	14	15	10	10

NOTE - All units have a minimum Short Circuit Current Rating (SCCR) of 5000 amps.

¹ Extremes of operating range are plus and minus 10% of line voltage.² HACR type breaker or fuse.³ Refer to National or Canadian Electrical Code manual to determine wire, fuse and disconnect size requirements.

ELECTRICAL DATA**6 TON****BELT DRIVE BLOWER - ZGB074S4B**

¹ Voltage - 60hz		208/230V - 3 Ph		460V - 3 Ph		575V - 3 Ph	
Compressor	Rated Load Amps	17.6		8.5		6.3	
	Locked Rotor Amps	136		66.1		55.3	
Outdoor Fan Motor	Full Load Amps	1.7		1		0.9	
Power Exhaust (1) 0.5 HP	Full Load Amps	1.5		0.6		0.6	
Indoor Blower Motor	Horsepower	1.5	2	1.5	2	1.5	2
	Type	Belt		Belt		Belt	
	Full Load Amps	5.7	7.5	2.8	3.4	2.4	2.7
² Maximum Overcurrent Protection	Unit Only	45	45	20	20	15	15
	With (1) 0.5 HP Power Exhaust	45	50	20	20	15	15
³ Minimum Circuit Ampacity	Unit Only	30	32	15	16	12	12
	With (1) 0.5 HP Power Exhaust	31	33	16	16	12	13

NOTE - All units have a minimum Short Circuit Current Rating (SCCR) of 5000 amps.

¹ Extremes of operating range are plus and minus 10% of line voltage.² HACR type breaker or fuse.³ Refer to National or Canadian Electrical Code manual to determine wire, fuse and disconnect size requirements.**ELECTRICAL DATA****6 TON****TWO-SPEED BELT DRIVE BLOWER - ZGB074S4T**

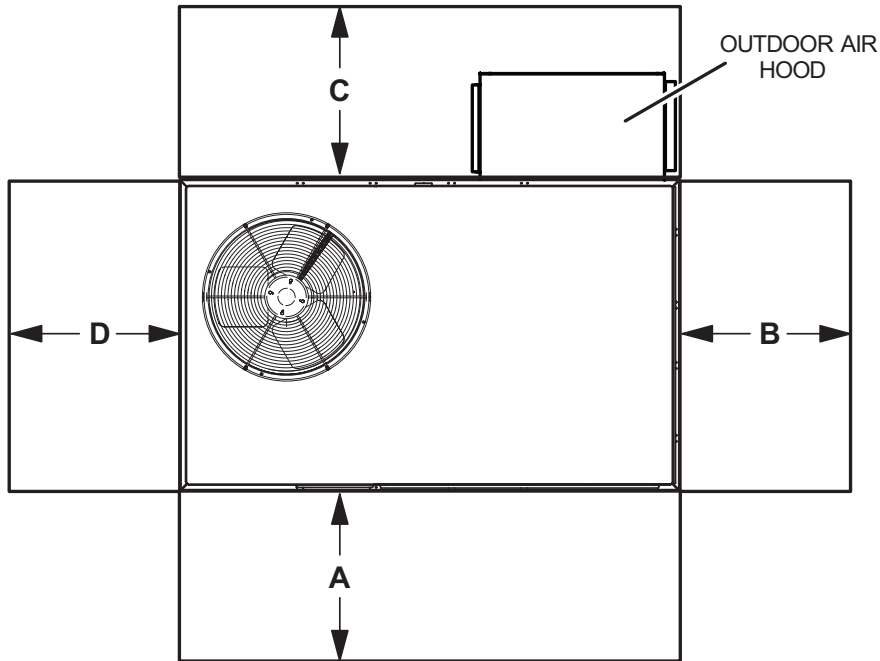
¹ Voltage - 60hz		208/230V - 3 Ph		460V - 3 Ph		575V - 3 Ph	
Compressor	Rated Load Amps	17.6		8.5		6.3	
	Locked Rotor Amps	136		66.1		55.3	
Outdoor Fan Motor	Full Load Amps	1.7		1		0.9	
Power Exhaust (1) 0.5 HP	Full Load Amps	1.5		0.6		0.6	
Indoor Blower Motor	Horsepower	2		2		2	
	Type	Belt		Belt		Belt	
	Full Load Amps	7.5		3.4		2.7	
² Maximum Overcurrent Protection	Unit Only	45		20		15	
	With (1) 0.5 HP Power Exhaust	50		20		15	
³ Minimum Circuit Ampacity	Unit Only	32		16		12	
	With (1) 0.5 HP Power Exhaust	34		16		13	

NOTE - All units have a minimum Short Circuit Current Rating (SCCR) of 5000 amps.

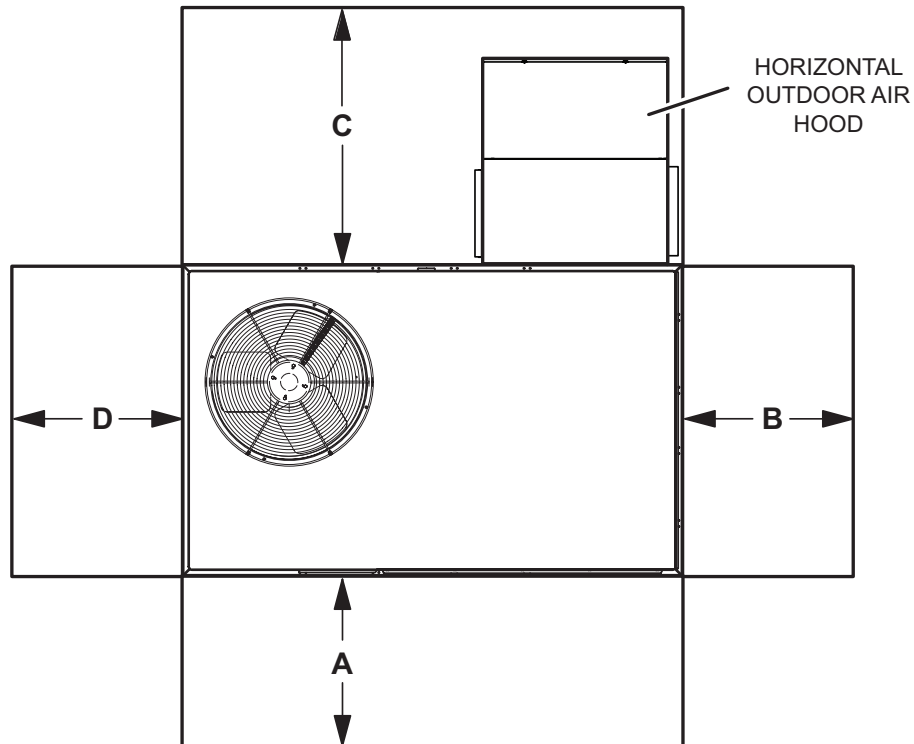
¹ Extremes of operating range are plus and minus 10% of line voltage.² HACR type breaker or fuse.³ Refer to National or Canadian Electrical Code manual to determine wire, fuse and disconnect size requirements.

UNIT CLEARANCES

UNIT WITH DOWNFLOW ECONOMIZER



UNIT WITH HORIZONTAL ECONOMIZER




1 Unit Clearance	A		B		C Downflow		C Horizontal		D		Top Clearance
	in.	mm	in.	mm	in.	mm	in.	mm	in.	mm	
Service Clearance	36	914	36	914	36	914	60	1524	36	914	Unobstructed
Clearance to Combustibles	36	914	1	25	1	25	1	25	1	25	
Minimum Operation Clearance	36	914	36	914	36	914	60	1524	36	914	

NOTE - Entire perimeter of unit base requires support when elevated above the mounting surface.

¹ Service Clearance - Required for removal of serviceable parts.

Minimum Operation Clearance - Required clearance for proper unit operation.

OPTIONAL CONVENTIONAL TEMPERATURE CONTROL SYSTEMS

Item		Model No.	Catalog No.
7-DAY PROGRAMMABLE THERMOSTAT - BACNET COMPATIBLE WITH REHEAT FUNCTION			
 <ul style="list-style-type: none"> • For units with or without ¹ Dehumidification Option • BTL listed MS/TP ensures compatibility with any BACnet system • Built-in control programs for conventional and heat pump applications • Conventional systems up to 3-stage heat and 3-stage cool • Heat pumps with 1 or 2 compressors and up to 2-stage auxiliary heat • On-board temperature and humidity sensor • Multiple configurable inputs and outputs enable advanced control strategies • Set-up Wizard enables rapid system configuration • No special tools required for installation or commissioning • Seven-day (2, 4 or 6 event) occupancy scheduling per day • Backlit 5-inch LCD touchscreen 		---	Y8241
<small>¹ BACnet Thermostat (Y8241) will control units with and without dehumidification. If there is a mix of units equipped with and without dehumidification on the same site, this thermostat can be used for all units if desired.</small>			
BACnet Controls (no reheat capability)	BACnet® Module (factory or field installed)	K0CTRL31A-2	16X70
	BACnet® Room Sensor with Display (field installed)	K0SNSR01FF1	97W23
	BACnet® Room Sensor without Display (field installed)	K0SNSR00FF1	97W24
Optional Accessories	Plenum Cable (RJ45/CAT5 75 ft.)	K0MISC00FF1	97W25

WEIGHT DATA

Model Number	Net				Shipping			
	Base		Max.		Base		Max.	
	lbs.	kg	lbs.	kg	lbs.	kg	lbs.	kg
ZGB036S	524	238	594	269	529	240	599	272
ZGB048S	533	242	603	274	538	244	608	276
ZGB060S	592	269	664	301	597	271	669	303
ZGB074S	640	290	712	323	645	293	717	325

Base Unit - The unit with standard heat exchanger NO OPTIONS.

Max. Unit - The unit with ALL OPTIONS Installed. (High Input Heat Exchanger, Economizer, etc.)

OPTIONS / ACCESSORIES

		Shipping Weights	
		lbs.	kg
ECONOMIZER			
Economizer			
Economizer, Includes Outdoor Air Hood and Barometric Relief Dampers with Hood	Downflow	75	34
	Horizontal	102	46
OUTDOOR AIR			
Outdoor Air Dampers			
Motorized		39	18
Manual		29	13
POWER EXHAUST			
Standard Static	Downflow	54	24
	Horizontal	41	19
GAS HEAT			
Medium Heat (adder over standard heat)		8	4
High Heat (adder over standard heat)		19	9
ROOF CURBS			
Hybrid Roof Curbs, Downflow			
8 in. height		63	29
14 in. height		83	38
18 in. height		93	42
24 in. height		113	51
CEILING DIFFUSERS			
Step-Down	RTD9-65S	80	36
	RTD11-95S	118	54
Flush	FD9-65S	80	36
	FD11-95S	118	54

DIMENSIONS - UNIT

Model No.	CORNER WEIGHTS																CENTER OF GRAVITY							
	AA				BB				CC				DD				EE				FF			
	Base		Max.		Base		Max.		Base		Max.		Base		Max.		Base		Max.		Base		Max.	
	lbs.	kg	lbs.	kg	lbs.	kg	lbs.	kg	lbs.	kg	lbs.	kg	lbs.	kg	in.	mm	in.	mm	in.	mm	in.	mm	in.	mm
036	129	59	147	67	124	56	141	64	133	60	150	68	138	63	156	71	38.75	984	36.75	933	22.75	578	24.5	622
048	132	60	149	68	126	57	143	65	135	61	152	69	140	64	159	72	38.75	984	36.75	933	22.75	578	24.5	622
060	162	73	182	83	146	66	164	74	134	61	151	68	149	68	167	76	40	1016	38	965	24.5	622	26	660
074	153	69	170	77	153	69	170	77	167	76	186	84	167	76	186	84	38	965	36	914	22.5	572	24	610

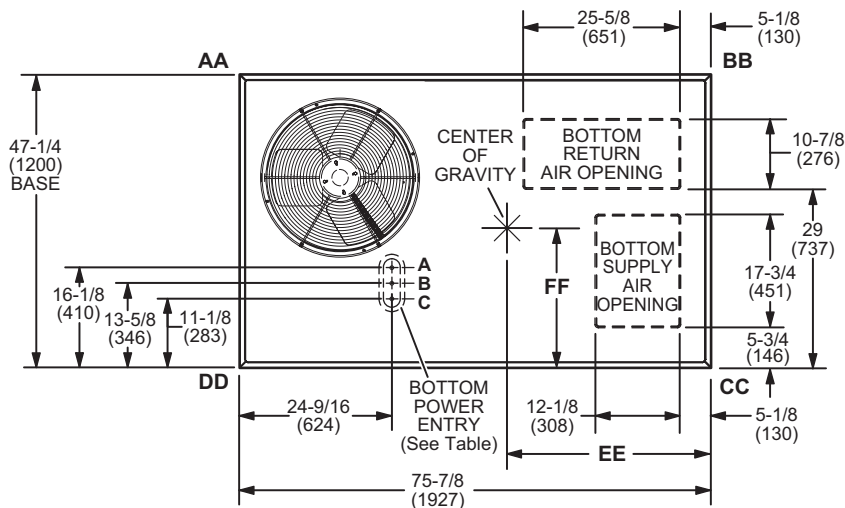
Base Unit - The unit with NO OPTIONS.

Max. Unit - The unit with ALL OPTIONS Installed. (Economizer, largest blower motor, etc.).

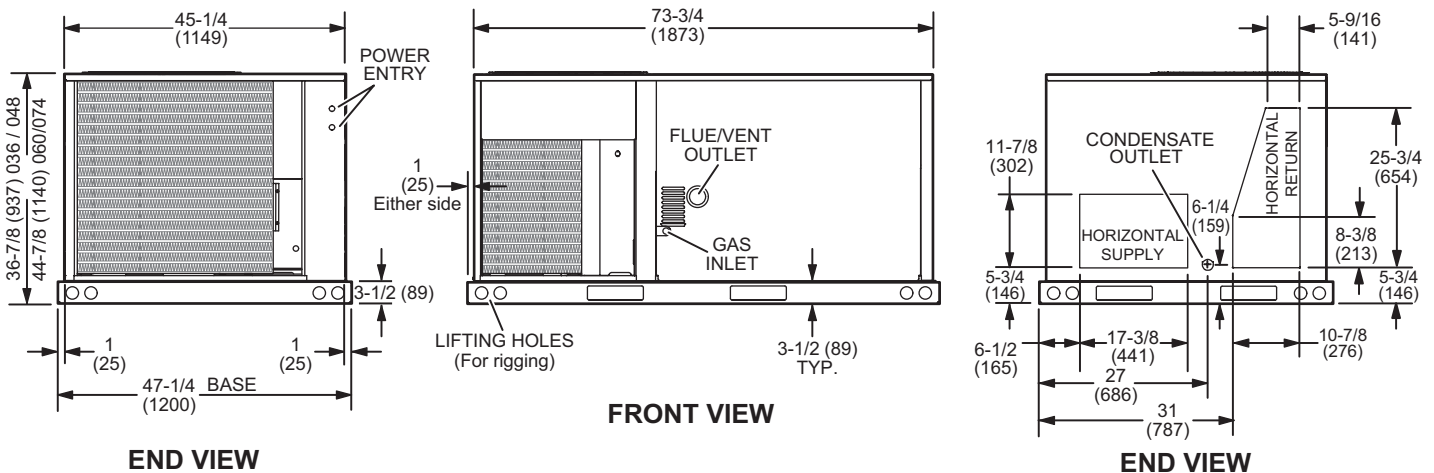
BOTTOM POWER ENTRY

Holes required for Optional Bottom Power Entry Kit

	Threaded Conduit Fittings (Provided in Kit)	Wire Use	Hole Diameter Required in Unit Base (Max.)
A	1/2	ACC	7/8 (23)
B	1/2	24V	7/8 (23)
C	3/4	POWER	1-1/8 (29)



TOP VIEW (Base)



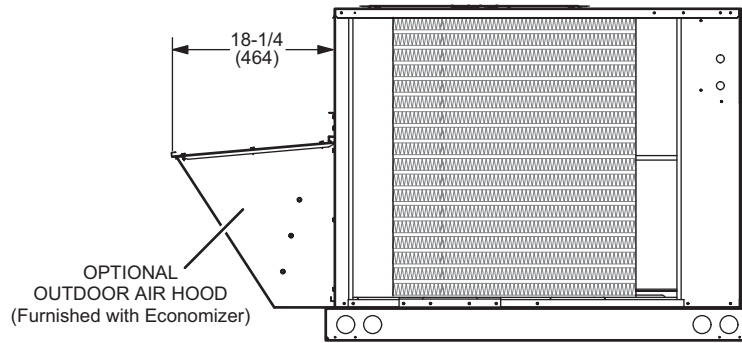
END VIEW

FRONT VIEW

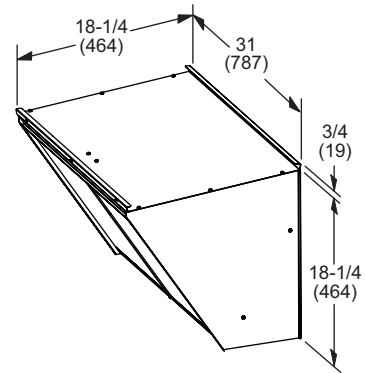
END VIEW

DIMENSIONS - ACCESSORIES

OUTDOOR AIR HOOD DETAIL FOR OPTIONAL ECONOMIZER (Downflow Applications)

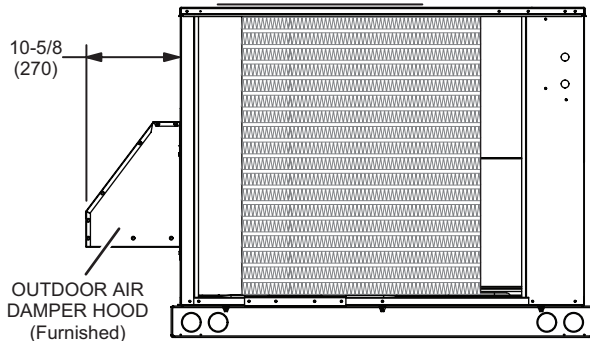


SIDE VIEW



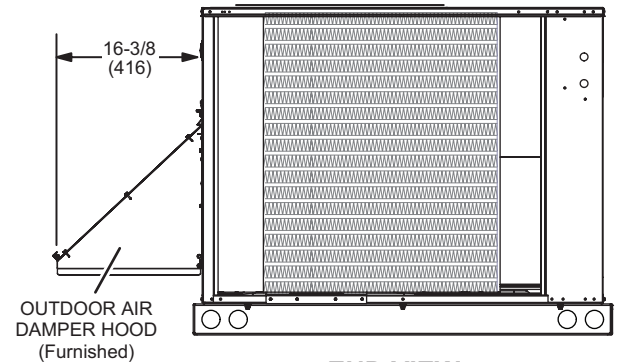
OUTDOOR AIR DAMPER HOOD DETAIL (Downflow or Horizontal Applications)

MANUAL OUTDOOR AIR DAMPER HOOD

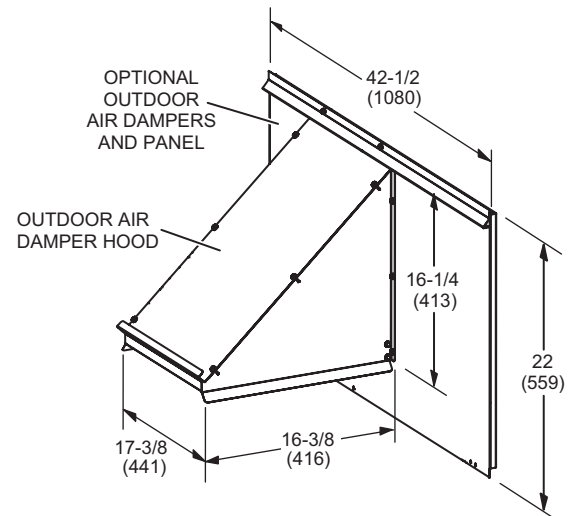
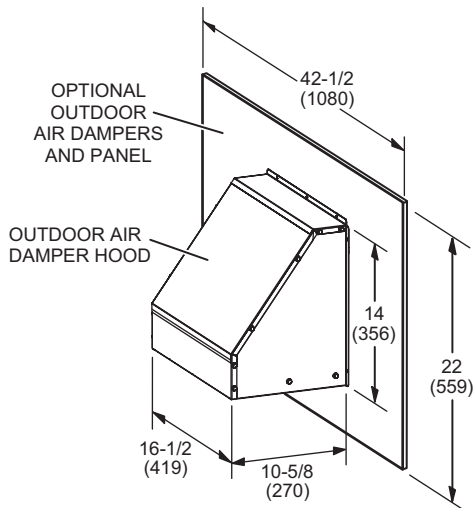


END VIEW

MOTORIZED OUTDOOR AIR DAMPER HOOD

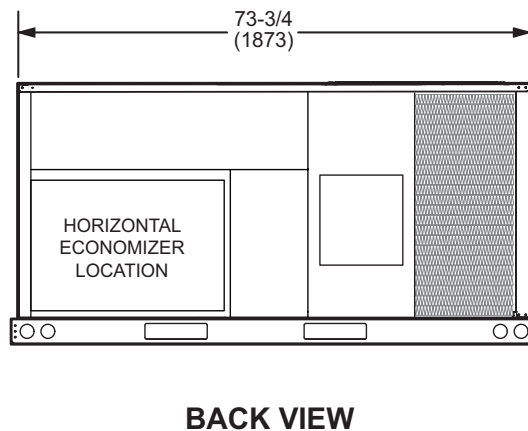
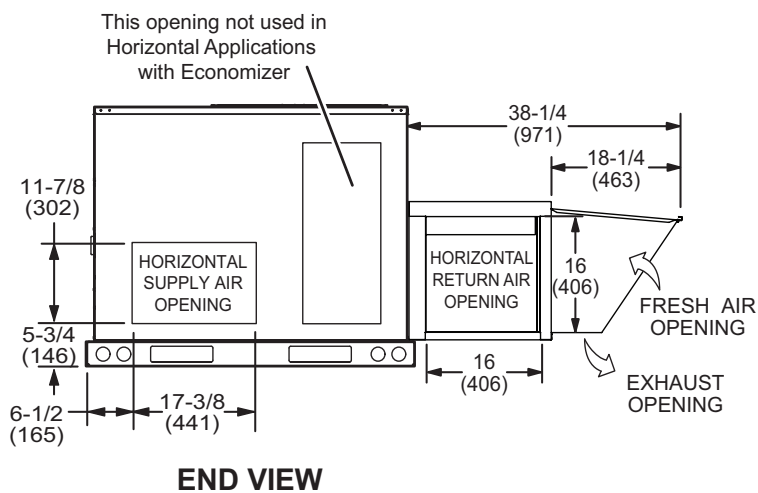
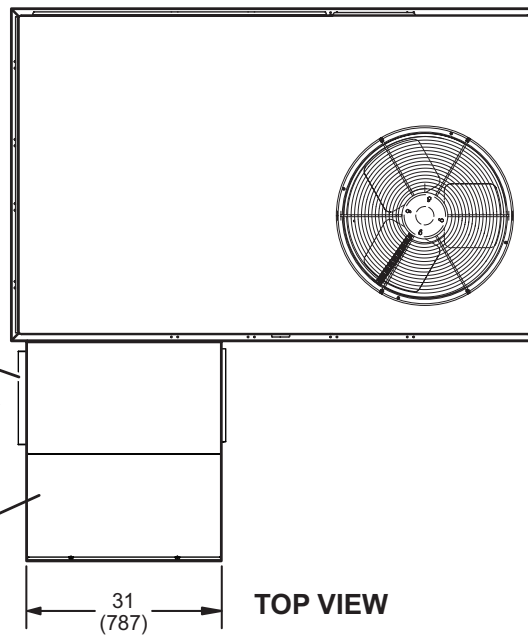


END VIEW



DIMENSIONS - ACCESSORIES

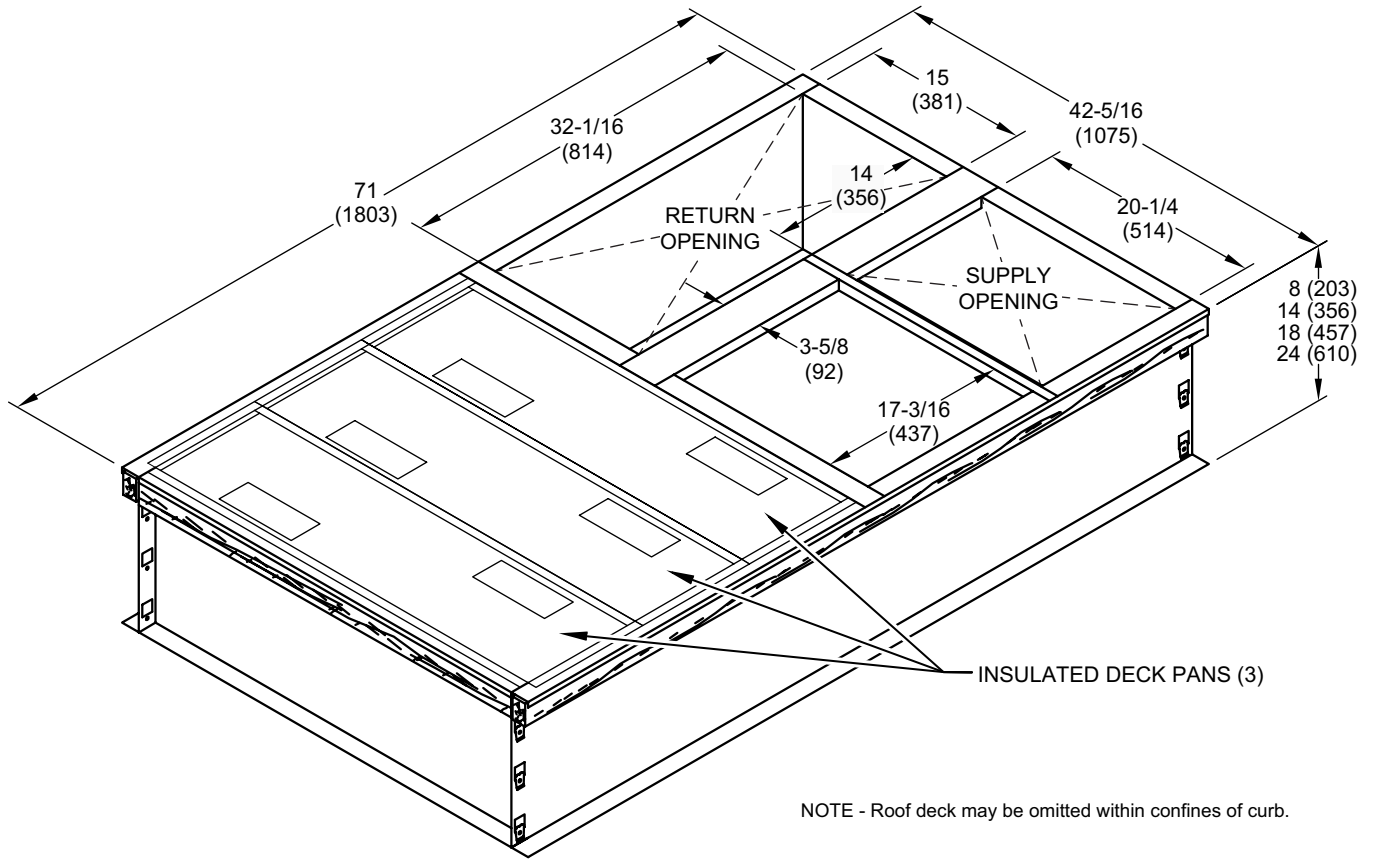
OUTDOOR AIR HOOD DETAIL WITH OPTIONAL ECONOMIZER AND BAROMETRIC RELIEF DAMPERS (Horizontal Applications)



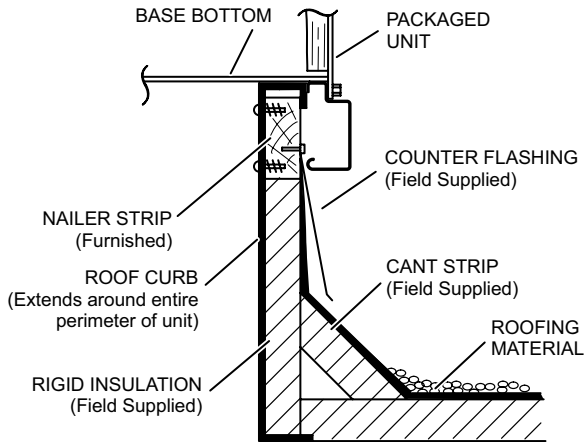
Note - Return Air Duct and Transition must be supported.

DIMENSIONS - ACCESSORIES

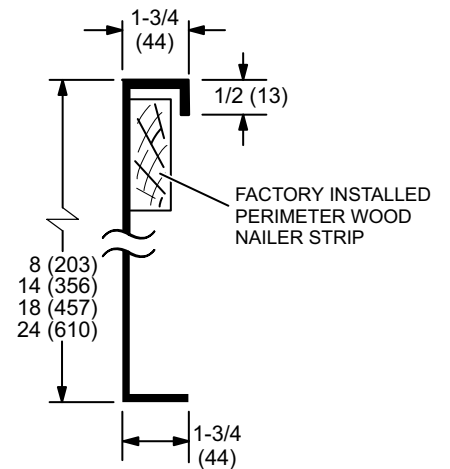
HYBRID ROOF CURBS - DOUBLE DUCT OPENING



TYPICAL FLASHING DETAIL FOR ROOF CURB



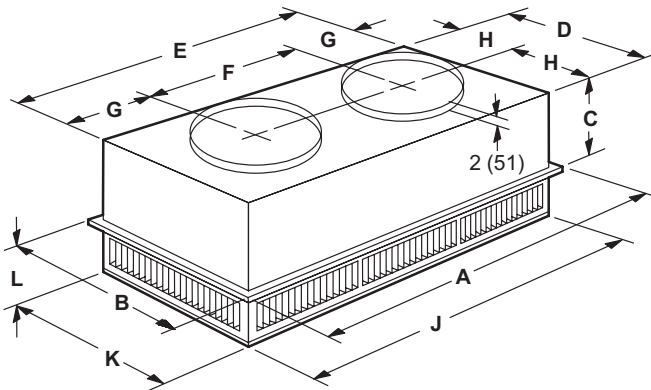
DETAIL ROOF CURB



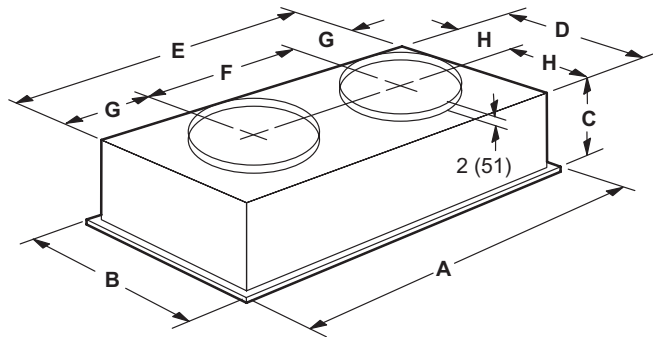
DIMENSIONS - ACCESSORIES

COMBINATION CEILING SUPPLY AND RETURN DIFFUSERS

STEP-DOWN CEILING DIFFUSER



FLUSH CEILING DIFFUSER



Model Number		RTD9-65S	RTD11-95S
A	in.	47-5/8	47-5/8
	mm	1159	1159
B	in.	23-5/8	29-5/8
	mm	600	752
C	in.	11-3/8	14-3/8
	mm	289	365
D	in.	21-1/2	27-1/2
	mm	546	699
E	in.	45-1/2	45-1/2
	mm	1156	1158
F	in.	22-1/2	22-1/2
	mm	572	572
G	in.	11-1/2	11-1/2
	mm	292	292
H	in.	10-3/4	13-3/4
	mm	273	349
J	in.	45-1/2	45-1/2
	mm	1156	1156
K	in.	21-1/2	27-1/2
	mm	546	699
L	in.	7-1/8	8-1/8
	mm	181	206
Duct Size	in.	18 round	20 round
	mm	457 round	508 round

Model Number		FD9-65S	FD11-95S
A	in.	47-5/8	47-5/8
	mm	1159	1159
B	in.	23-5/8	29-5/8
	mm	600	752
C	in.	13-1/2	16-5/8
	mm	343	422
D	in.	21	27
	mm	533	686
E	in.	45	45
	mm	1143	1143
F	in.	22-1/2	22-1/2
	mm	572	572
G	in.	11-1/4	11-1/4
	mm	286	286
H	in.	10-1/2	13-1/2
	mm	267	343
Duct Size	in.	18 round	20 round
	mm	457 round	508 round

REVISIONS

Section	Description
Document	Added Specifications, Blower Data, and Electrical Data for new unit models ZGB036S4E, ZGB048S4E, and ZGB060S4E.



Visit us at www.allied-commercial.com

For the latest technical information, visit us at www.allied-commercial.com

Contact us at 1-800-448-5872

NOTE - Due to Allied Commercial ongoing commitment to quality, Specifications, Ratings and Dimensions subject to change without notice and without incurring liability. Improper installation, adjustment, alteration, service or maintenance can cause property damage or personal injury. Installation and service must be performed by a qualified installer and servicing agency.