

# Central Brass

C O M P A N Y

Brecksville, Ohio 44141

Phone: (216) 883-0220 Fax: (440) 526-5745

www.CentralBrass.com

MODEL NO. 0126-A  
KITCHEN TOPMOUNT

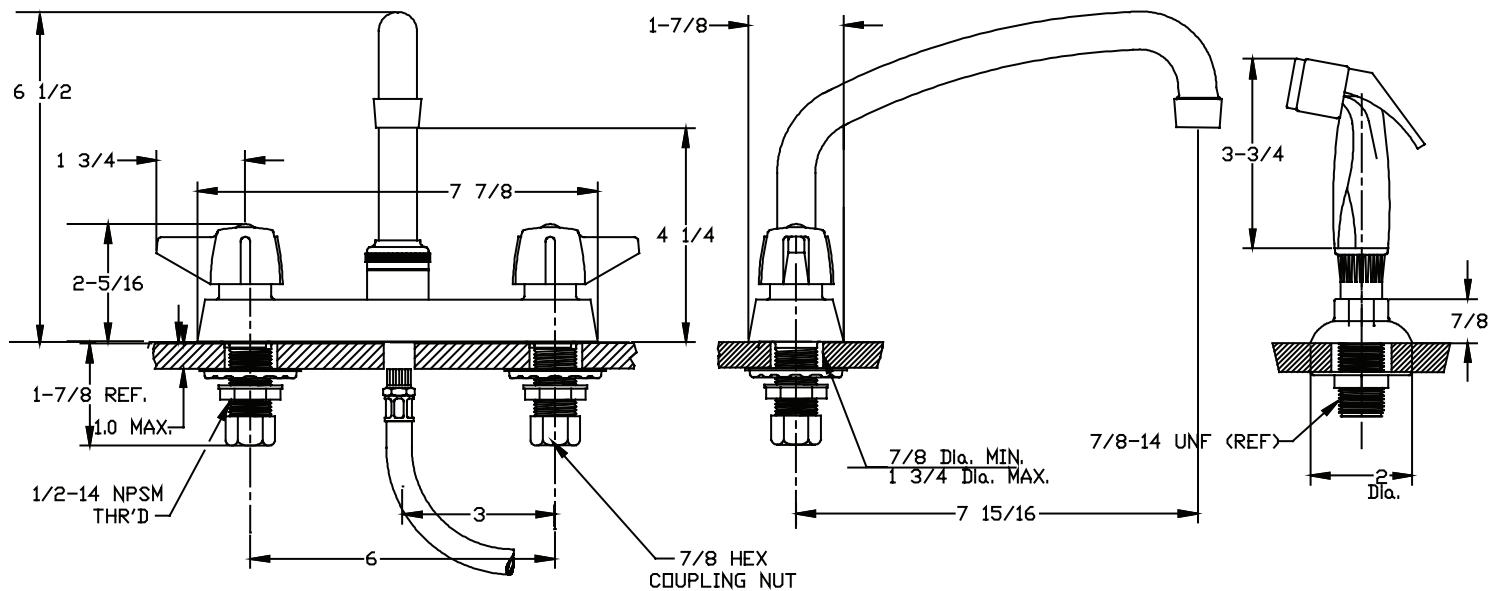
The 6-inch center topmounted kitchen faucet has a cast brass body that is copper, nickel and chrome plated. The compression stems are all brass with a double O-Ring seal and rubber seat washer. The canopy handles are zinc die cast with a chrome plated finish. The 8-inch swivel spout is brass with a chrome plated finish and is fitted with a water saving aerator that limits the flow rate. The O-Rings and seals are rubber. The faucet has a spray rinse attachment that is connected with a 48-inch nylon hose with a chrome plated hose guide.



Flow Rate: 2.0 GPM @ 60 psi  
ADA Compliant and Meets ASME A112.18.1M  
Certified by IAPMO R&T to NSF/ANSI 61



## Installation Drawing



# Central Brass

C O M P A N Y

Brecksville, Ohio 44141

Phone: (216) 883-0220 Fax: (440) 526-5745

www.CentralBrass.com

**MODEL NO. 0126-A  
KITCHEN TOPMOUNT**

Suffix Options  
& Accessories

## Handle variations available

Wrist 4-inch

Elbow 6-inch



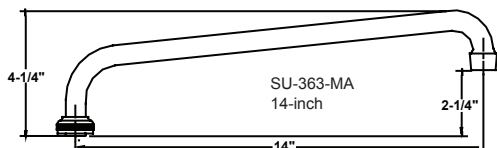
G-4147 (4-inch)  
G-4149 (6-inch)



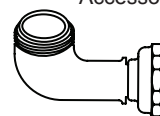
Faucets with lever, wrist or elbow handles with compression or ceramic stem cartridges are ADA compliant.

## Spout variations available

- A2 - Suffix  
10-inch Brass Tube Spout
- A3 - Suffix  
12-inch Brass Tube Spout
- A4 - Suffix  
14-inch Brass Tube Spout



Wall Mount  
Spout Adaptor  
Accessory



G-1748-88W

Cast Brass Spout  
Extension  
Accessory

